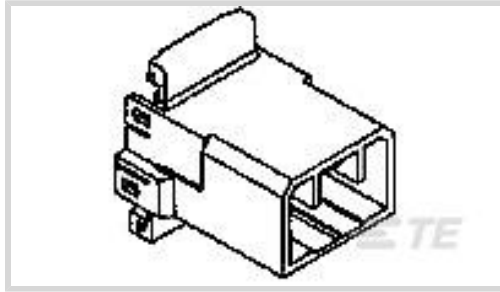




Connectors > Automotive Connectors > Automotive Housings > MULTILOCK, CONNECTOR HOUSING



Connector & Housing Type: **Housing for Female Terminals**

Mating Tab Width: **1.8 mm [.071 in]**

Connector System: **Wire-to-Wire**

Number of Positions: **8**

Centerline (Pitch): **3.51 mm [.138 in]**

[All MULTILOCK, CONNECTOR HOUSING \(567\)](#)

Features

Product Type Features

Connector Shape	Rectangular
Connector & Housing Type	Housing for Female Terminals
Connector System	Wire-to-Wire
Sealable	No
Hybrid Connector	No

Configuration Features

Number of Positions	8
Number of Rows	2

Body Features

Primary Product Color	Black
-----------------------	-------

Contact Features

Contact Size	1.8mm
Contact Type	Receptacle
Mating Tab Width	1.8 mm[.071 in]

Mechanical Attachment

Terminal Position Assurance	No
Strain Relief	Without



Mating Alignment Type	Polarized
Mating Alignment	With
Connector Mounting Type	Cable Mount (Free-Hanging)

Housing Features

Housing Material	PBT
Centerline (Pitch)	3.51 mm[.138 in]

Dimensions

Connector Height	31.4 mm[1.24 in]
Product Width	18.2 mm[.717 in]
Product Length	25.7 mm[1.01 in]
Row-to-Row Spacing	3 mm[.118 in]

Usage Conditions

Operating Temperature (Max)	70 °C, 75 °C, 80 °C, 85 °C, 90 °C, 100 °C, 105 °C[158 °F][167 °F][176 °F][185 °F][194 °F] [212 °F][221 °F]
Operating Temperature Range	-30 – 105 °C[-22 – 221 °F]

Operation/Application

Circuit Application	Signal
---------------------	--------

Industry Standards

UL Flammability Rating	UL 94HB
------------------------	---------

Packaging Features

Packaging Quantity	50
--------------------	----

Other

Connector Position Assurance Capable	No
--------------------------------------	----

Product Compliance

[For compliance documentation, visit the product page on TE.com>](#)

EU RoHS Directive 2011/65/EU	Compliant
EU ELV Directive 2000/53/EC	Compliant
China RoHS 2 Directive MIIT Order No 32, 2016	No Restricted Materials Above Threshold
EU REACH Regulation (EC) No. 1907/2006	Current ECHA Candidate List: JUNE 2023 (235) Candidate List Declared Against: JAN 2023 (233)



Does not contain REACH SVHC

Halogen Content

Low Halogen - Br, Cl, F, I < 900 ppm per homogenous material. Also BFR/CFR/PVC Free

Solder Process Capability

Not applicable for solder process capability

Product Compliance Disclaimer

This information is provided based on reasonable inquiry of our suppliers and represents our current actual knowledge based on the information they provided. This information is subject to change. The part numbers that TE has identified as EU RoHS compliant have a maximum concentration of 0.1% by weight in homogenous materials for lead, hexavalent chromium, mercury, PBB, PBDE, DBP, BBP, DEHP, DIBP, and 0.01% for cadmium, or qualify for an exemption to these limits as defined in the Annexes of Directive 2011/65/EU (RoHS2). Finished electrical and electronic equipment products will be CE marked as required by Directive 2011/65/EU. Components may not be CE marked. Additionally, the part numbers that TE has identified as EU ELV compliant have a maximum concentration of 0.1% by weight in homogenous materials for lead, hexavalent chromium, and mercury, and 0.01% for cadmium, or qualify for an exemption to these limits as defined in the Annexes of Directive 2000/53/EC (ELV). Regarding the REACH Regulation, the information TE provides on SVHC in articles for this part number is based on the latest European Chemicals Agency (ECHA) 'Guidance on requirements for substances in articles' posted at this URL: <https://echa.europa.eu/guidance-documents/guidance-on-reach>

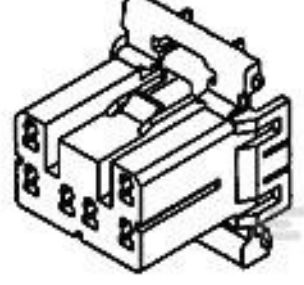
Compatible Parts



TE Part # CAT-M9194-CH8172
MULTILOCK, CONNECTOR HOUSING



TE Part # CAT-M9194-T273
MULTILOCK, RECEPTACLE AND TAB



TE Part # 173850-4
070 MLC PLUG HSG 8P GREEN

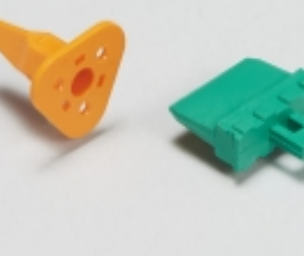
Also in the Series | Multilock Connector System




Automotive Connector Caps & Covers (17)



Automotive Connector EMC Shielding (1)



Automotive Connector Locks & Position Assurance(2)



Automotive Housings(603)



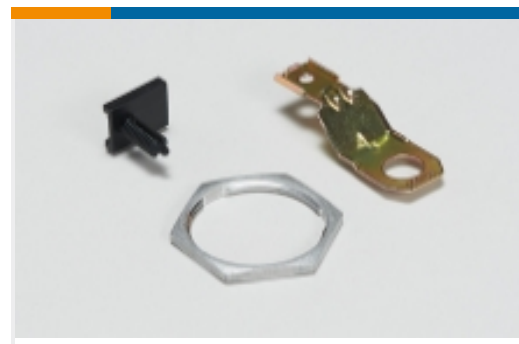
Automotive Seals & Cavity Plugs(2)



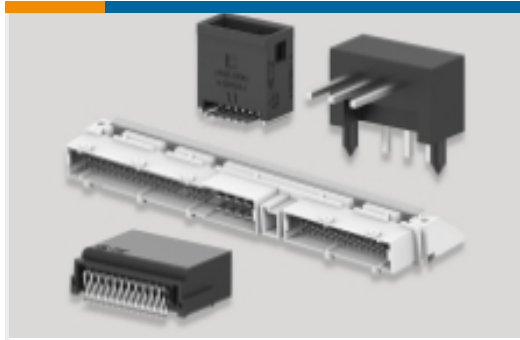
Automotive Terminals(141)



Insertion & Extraction Tools(6)



Other Automotive Connector Accessories(14)

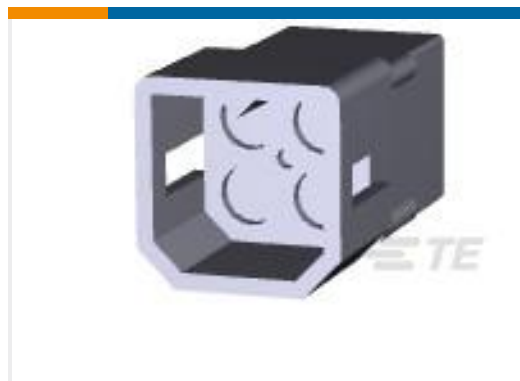


PCB Headers & Receptacles(142)

Customers Also Bought



TE Part #32589
PIDG Spade Tongue Terminals



TE Part #770842-1
04P .093 COMM P&S PLUG



TE Part #770843-1
04P .093 COMM P&S RECPT



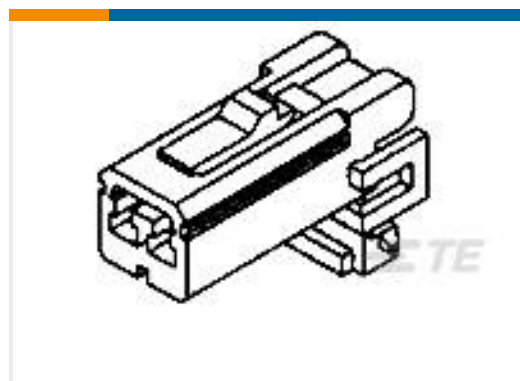
TE Part #6-1393144-6
K10P-11D55-12=K10/K20



TE Part #1-1423674-0
W54-XB1A4A10-25=CKTBKR,THERM,P



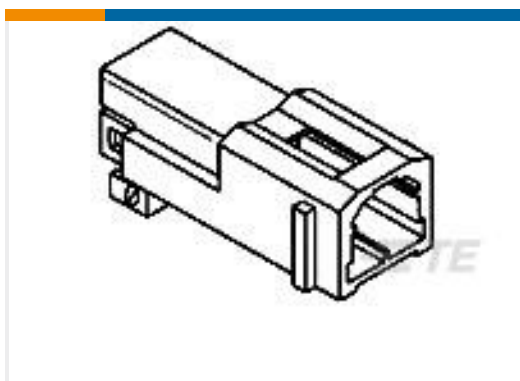
TE Part #1-2176345-0
CRGCQ 1210 56R 1%



TE Part #174463-2
070 MCL 2P P B



TE Part #282236-2
6 POS. SPLASH PROOF CONN ASSY



TE Part #174460-2
070 MULTILOCK 2P CAP HSG

Documents



Product Drawings

070 MLC W-W CAP HSG 8P BLACK

Japanese

CAD Files

3D PDF

English

Customer View Model

[ENG_CVM_174931-2_E.2d_dxf.zip](#)

English

Customer View Model

[ENG_CVM_174931-2_E.3d_igs.zip](#)

English

Customer View Model

[ENG_CVM_174931-2_E.3d_stp.zip](#)

English

By downloading the CAD file I accept and agree to the [Terms and Conditions](#) of use.

Datasheets & Catalog Pages

MULTILOCK Connector System

English

Product Specifications

Product Specification

Japanese