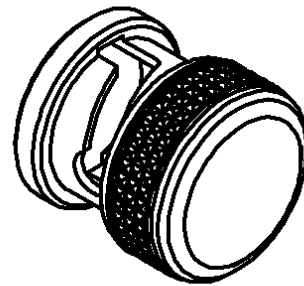
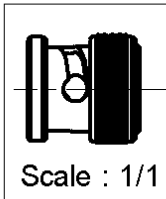
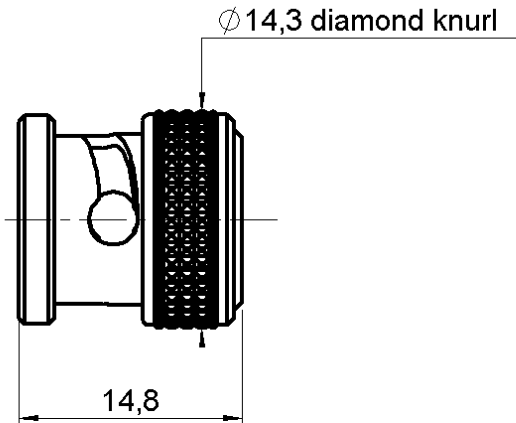


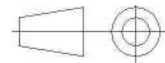
MALE PROTECTION CAP

R141.802.000

Series : **BNC**



All dimensions are in mm.



COMPONENTS	MATERIALS	PLATING (μm)
BODY	BRASS	NICKEL 2
CENTER CONTACT	-	-
OUTER CONTACT	-	-
INSULATOR	-	-
GASKET	SILICONE RUBBER	-
OTHERS PARTS	-	-
-	-	-
-	-	-

Issue : 9848 M

In the effort to improve our products, we reserve the right to make changes judged to be necessary.



MALE PROTECTION CAP

R141.802.000

Series : **BNC**

PACKAGING

SPECIFICATION

Standard	Unit	Other
100	'W' option	Contact us

QAE 06-02 - -

ELECTRICAL CHARACTERISTICS

ENVIRONMENTAL

Impedance **50 Ω**
 Frequency **NA GHz**
 VSWR **NA + 0,0000 x F(GHz) Maxi**
 Insertion loss **NA √F(GHz) dB Maxi**
 RF leakage **NA - F(GHz) dB Maxi**
 Voltage rating **NA Veff Maxi**
 Dielectric withstanding voltage **NA Veff mini**
 Insulation resistance **NA MΩ mini**

Operating temperature **-65/+165 ° C**
 Hermetic seal **NA Atm.cm3/s**
 Panel leakage **NA**

OTHER CHARACTERISTICS

Assembly instruction

Others :
 -

MECHANICAL CHARACTERISTICS

Center contact retention
 Axial force – Mating end **NA N mini**
 Axial force – Opposite end **NA N mini**
 Torque **NA N.cm mini**

Recommended torque
 Mating **NA N.cm**
 Panel nut **NA N.cm**

Mating life **500 Cycles mini**
 Weight **6,5000 g**

Issue : 9848 M

In the effort to improve our products, we reserve the right to make changes judged to be necessary.

