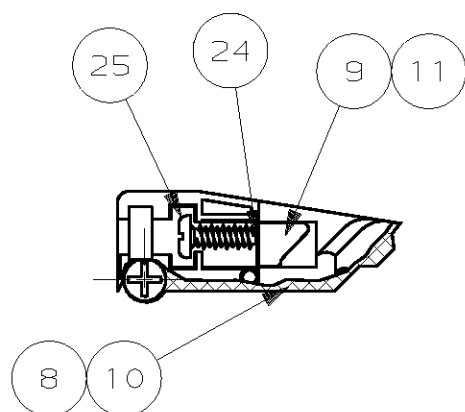
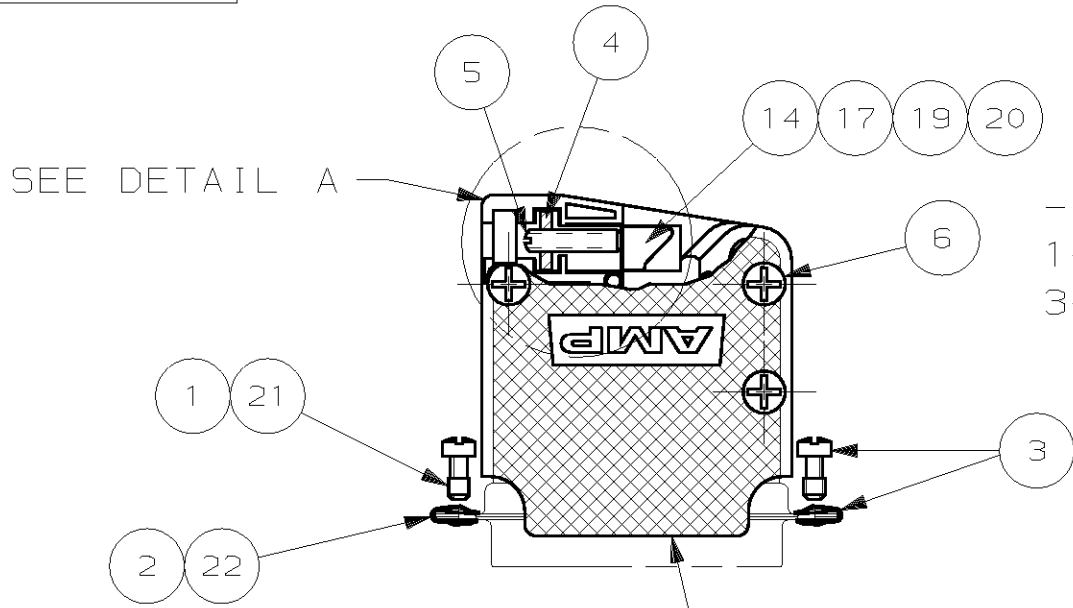


THIS DRAWING IS UNPUBLISHED. RELEASED FOR PUBLICATION BY AMP INCORPORATED. ALL INTERNATIONAL RIGHTS RESERVED.

LOC GP DIST 00 P F REVISIONS TABLE with columns for ZONE, LTR, DESCRIPTION, DATE, and APPD.



DETAIL A FOR -1, -2, -6, -7, 2--0, 2--1, 3--3, 3--9, & 4--0 ONLY



- 1 THRU -5
1--1 THRU 2--6
3--2 THRU 4--5
4--8

Main parts list table with columns for part numbers 1-25 and descriptions such as STRAIN RELIEF KIT, GATE SCREW, SHIM, etc.

- 1 PARTS PACKAGED UNASSEMBLED.
2 STANDARD PACKAGING.
3 SMALL PACK PACKAGING.

Technical specifications: DO NOT SCALE PRINT, DIMENSIONS IN INCHES, TOLERANCES ON, MATERIAL, FINISH, WEIGHT.

Product information: AMP INCORPORATED, STRAIN RELIEF KIT, 45°/180° AMPLIMITE™ HD-20, SIZE C, FSCM NO 00779, DRAWING NO 206478.