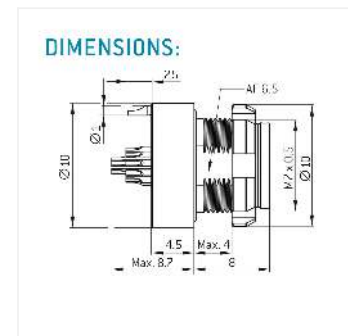
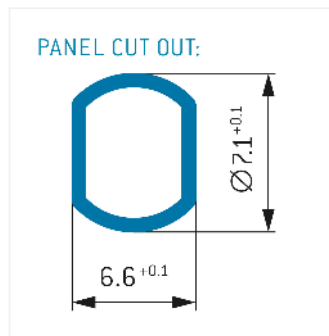
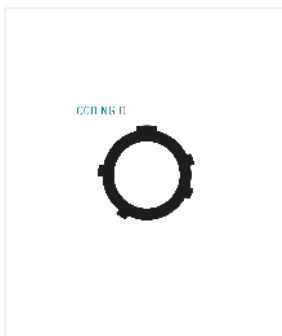


General information

| | |
|-------------------|---------------------|
| Part number | GKCWDM-PU4WBM0-000L |
| Termination | solder |
| Size | 00 |
| Locking principle | break |
| Coding | d_key_amc |
| Cable Diameter | cable_amchd_C |



Contact insert description

| | |
|--------------------|---------------|
| Number of contacts | 4 |
| Contact type | sockets |
| Contact diameter | 03mm |
| Insulator material | peek |
| Wire cross section | 24_awg_28_awg |
| Termination | solder |
| Data transmission | usb_2 |

reverse_gender_on_request

Technical information

| | | |
|--------------------------------|-----------|---------------|
| Nominal current single contact | 01_a | iec_60512_5_2 |
| Nominal current insert | 1 A | vde_0298_4 |
| Test voltage | 075_kv_dc | eia_364_20f |

safety_text

Mechanical and environmental data

| | |
|-----------------------|--------------|
| Degree of protection* | ipsk8_ip6k9k |
| Operating temperature | 51_125_c |
| Mating cycles | 5000 |

mated

Material and surface treatments

| | |
|----------------|---------------|
| Housing | ruthenium |
| Contact | cu_alloy_gold |

data_text

safety_text_2

data_text

ul_text

illustrative_text