

5

4

3

2

1

G

G

F

F

E

E

D

D

C

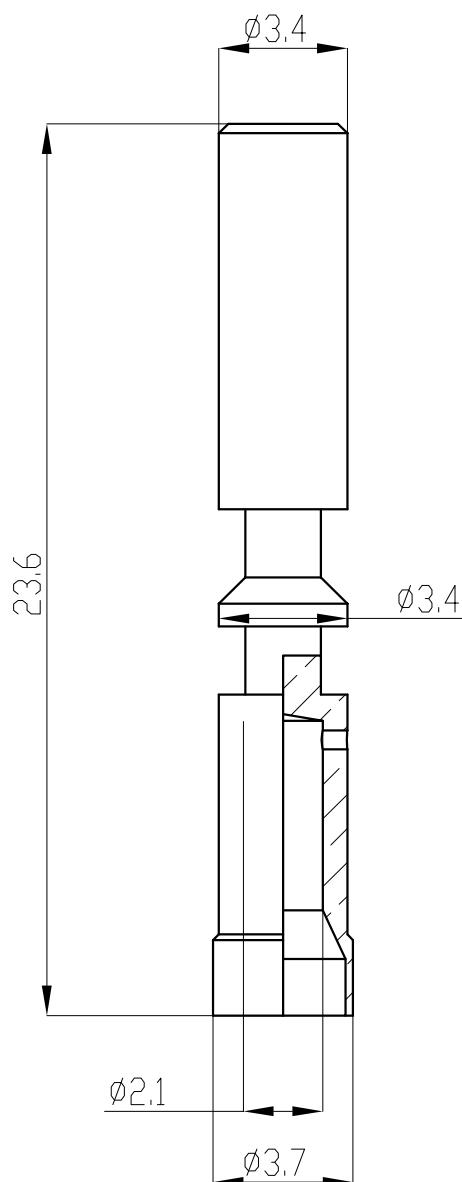
C

B

B

A

A



Notes:

Packaging units: 36 pcs

Tolerances (unless specified): DIN ISO 2768 m

Bemerkungen:

Verpackungseinheit: 36 Stück

Toleranzen (sofern nichts anderes angegeben ist):
DIN ISO 2768 m

DESCRIPTION EC NO: WEU2008-0019 DRWN: BBRAUCH 2008/05/15 CH'KD: LS 2008/05/26 APPR: REISSNER 2008/05/27	QUALITY SYMBOLS	GENERAL TOLERANCES (UNLESS SPECIFIED)		DIMENSION STYLE		SCALE	DESIGN UNITS	FIRST ANGLE PROJECTION	
	▼ = 0	4 PLACES	±----	±----	MM	5:1	METRIC	M23 PWR CONT2.0 FEM 0.75 - 2.5 P/N: KCP00-10 MOLEX INCORPORATED	
	▽ = 0	3 PLACES	±----	±----	DRAWN BY	DATE			
		2 PLACES	±----	±----	BB	2008/05/15			
		1 PLACE	±----	±----	CHECKED BY	DATE			
	ANGULAR ± --- °			---	---				
	DRAFT WHERE APPLICABLE MUST REMAIN WITHIN DIMENSIONS			APPROVED BY	DATE				
				RE	2008/05/26				
				MATERIAL NO.	1202350018				
				SIZE	A4				
				THIS DRAWING CONTAINS INFORMATION THAT IS PROPRIETARY TO MOLEX INCORPORATED AND SHOULD NOT BE USED WITHOUT WRITTEN PERMISSION					

5

4

3

2

1