

2098627-1 ✓ ACTIVE

1.5/2.8 Connector System

TE Internal #: 2098627-1

Housing for Female Terminals, Wire-to-Board / Wire-to-Device, 22
Position, 1.5/2.8 Connector System

[View on TE.com >](#)



Connectors > Automotive Connectors > Automotive Housings



Connector & Housing Type: **Housing for Female Terminals**

Mating Tab Width: **1.5 mm, 2.8 mm, 6.3 mm [.059 in, .11 in, .248 in]**

Connector System: **Wire-to-Board, Wire-to-Device**

Number of Positions: **22**

Centerline (Pitch): **3.5 mm, 5.3 mm, 9 mm [.138 in, .208 in, .354 in]**

Features

Product Type Features

Connector Shape	Rectangular
Connector & Housing Type	Housing for Female Terminals
Connector System	Wire-to-Board, Wire-to-Device
Sealable	No
Hybrid Connector	Yes
Primary Locking Feature	Integrated in Housing

Configuration Features

Number of Positions	22
Number of Rows	2, 3

Body Features

Cable Exit Angle	90°
Primary Product Color	Black

Contact Features

Contact Size	1.5mm, 2.8mm, 6.3mm
--------------	---------------------



Contact Type	Receptacle
Mating Tab Width	1.5 mm, 2.8 mm, 6.3 mm [.059 in][.11 in][.248 in]

Mechanical Attachment

Terminal Position Assurance	Yes
Strain Relief	Add By Accessory
Mating Alignment Type	Polarized
Mating Alignment	With
Connector Mounting Type	Cable Mount (Free-Hanging)

Housing Features

Housing Material	PA GF
Centerline (Pitch)	3.5 mm, 5.3 mm, 9 mm [.138 in][.208 in][.354 in]

Dimensions

Connector Height	34.8 mm [1.37 in]
Product Width	41 mm [1.614 in]
Product Length	50.6 mm [1.992 in]
Row-to-Row Spacing	6 mm [.236 in]

Usage Conditions

Operating Temperature (Max)	70 °C, 75 °C, 80 °C, 85 °C, 90 °C, 100 °C, 105 °C [158 °F][167 °F][176 °F][185 °F][194 °F][212 °F][221 °F]
Operating Temperature Range	-40 – 105 °C [-40 – 221 °F]

Operation/Application

Circuit Application	Power & Signal
---------------------	----------------

Other

Serviceable	Yes
Connector Position Assurance Capable	No

Product Compliance

[For compliance documentation, visit the product page on TE.com>](#)

EU RoHS Directive 2011/65/EU	Compliant
EU ELV Directive 2000/53/EC	Compliant



China RoHS 2 Directive MIIT Order No 32, 2016	No Restricted Materials Above Threshold
EU REACH Regulation (EC) No. 1907/2006	Current ECHA Candidate List: JUNE 2023 (235) Candidate List Declared Against: JUNE 2023 (235) Does not contain REACH SVHC
Halogen Content	Low Halogen - Br, Cl, F, I < 900 ppm per homogenous material. Also BFR/CFR/PVC Free
Solder Process Capability	Not applicable for solder process capability

Product Compliance Disclaimer

This information is provided based on reasonable inquiry of our suppliers and represents our current actual knowledge based on the information they provided. This information is subject to change. The part numbers that TE has identified as EU RoHS compliant have a maximum concentration of 0.1% by weight in homogenous materials for lead, hexavalent chromium, mercury, PBB, PBDE, DBP, BBP, DEHP, DIBP, and 0.01% for cadmium, or qualify for an exemption to these limits as defined in the Annexes of Directive 2011/65/EU (RoHS2). Finished electrical and electronic equipment products will be CE marked as required by Directive 2011/65/EU. Components may not be CE marked. Additionally, the part numbers that TE has identified as EU ELV compliant have a maximum concentration of 0.1% by weight in homogenous materials for lead, hexavalent chromium, and mercury, and 0.01% for cadmium, or qualify for an exemption to these limits as defined in the Annexes of Directive 2000/53/EC (ELV). Regarding the REACH Regulation, the information TE provides on SVHC in articles for this part number is based on the latest European Chemicals Agency (ECHA) 'Guidance on requirements for substances in articles' posted at this URL: <https://echa.europa.eu/guidance-documents/guidance-on-reach>

Compatible Parts



TE Part # 2098628-1
22P UNSEALED HYBRID WIRE DRESS




TE Part # 2098631-1
22P UNSEALED HYBRID TPA (12X 1)


Also in the Series | 1.5/2.8 Connector System




Automotive Connector Caps & Covers (6)



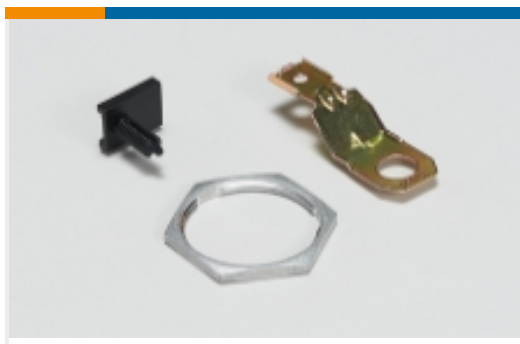
Automotive Housings(35)



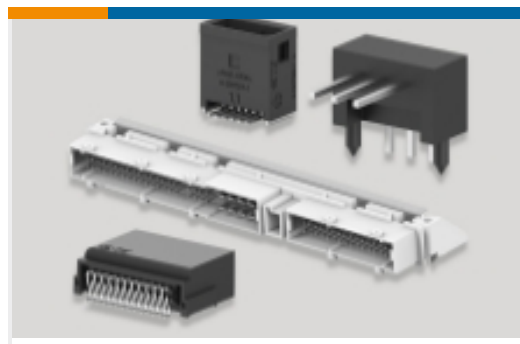
Automotive Terminals(56)



Insertion & Extraction Tools(1)



Other Automotive Connector Accessories(1)



PCB Headers & Receptacles(1)

Customers Also Bought



TE Part #1924900-1
Assy, Plug, 30p Hybrid Key A



TE Part #2138731-1
36P UNSEALED HYBRID PLUG ASSEM



TE Part #1924340-1
36P, 2 Row Carrier for 54P LAC



TE Part #2098660-1
32P Shield, GY HandMate



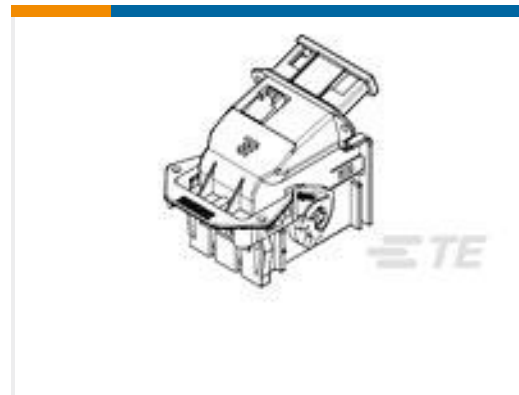
TE Part #1924346-3
Shield Assy, 52P Generation Y, LAC, BF



TE Part #2098216-1
32P Carrier, GY



TE Part #1924136-1
Carrier, 26P Generation Y, 52P Conn



TE Part #1924346-1
Shield Assy, 52P Generation Y, LAC, AE



TE Part #2098634-2
Carrier, 20P, GY LAC, Black



TE Part #2288274-2
24P HYBRID 0.64/2.8 PLUG ASSY, B KEY

Documents

Product Drawings

[22P UNSEALED HYBRID PLUG ASSEM](#)

English

CAD Files

Customer View Model

[ENG_CVM_CVM_2098627-1_A.2d_dxf.zip](#)

English

[3D PDF](#)



3D

Customer View Model

[ENG_CVM_CVM_2098627-1_A.3d_igs.zip](#)

English

Customer View Model

[ENG_CVM_CVM_2098627-1_A.3d_stp.zip](#)

English

By downloading the CAD file I accept and agree to the [Terms and Conditions](#) of use.

Instruction Sheets

[Instruction Sheet \(U.S.\)](#)

English