

# HC-EVO-A10PT-BWSC-HH-M20-PLRBK - Connector set



1424454

<https://www.phoenixcontact.com/us/products/1424454>

Please be informed that the data shown in this PDF document is generated from our online catalog. Please find the complete data in the user documentation. Our general terms of use for downloads are valid.



Connector set, number of positions: 10, material: PA, connection method: Push-in connection, connection cross section: AWG 26- 14

## Commercial data

Item number	1424454
Packing unit	1 pc
Minimum order quantity	1 pc
Sales key	BF63
Product key	BF7AFX
Catalog page	Page 524 (C-2-2019)
GTIN	4055626372839
Weight per piece (including packing)	267.4 g
Weight per piece (excluding packing)	267.4 g
Customs tariff number	85366990
Country of origin	CN

# HC-EVO-A10PT-BWSC-HH-M20-PLRBK - Connector set



1424454

<https://www.phoenixcontact.com/us/products/1424454>

## Set consists of

### HC-EVO-D15-HHFS-PL-BK - Housing

1411340

<https://www.phoenixcontact.com/us/products/1411340>



Sleeve housing D15, for single locking latch, material: PA, cable outlets: 1, straight/lateral, height: 65.5 mm, cable gland: none, Standard

---

### HC-EVO-D15-BWSC-PLR-BK - Housing

1411337

<https://www.phoenixcontact.com/us/products/1411337>



Panel mounting base D15, with single locking latch, material: PA, protective cover material: PC, height: 26 mm, cable gland: none, protective cover: yes, Standard, with flat gasket

# HC-EVO-A10PT-BWSC-HH-M20-PLRBK - Connector set



1424454

<https://www.phoenixcontact.com/us/products/1424454>

## HC-D-G-M20-PLRBK - Cable gland

1411350

<https://www.phoenixcontact.com/us/products/1411350>



EVO plastic cable gland with bayonet locking, for housing series D, size M20, cable diameter: 7 mm ... 13 mm.

---

## HC-A10-I-PT-M - Contact insert

1585359

<https://www.phoenixcontact.com/us/products/1585359>



Contact insert, number of positions: 10+PE, size: D15, number of connections per position: 1, Pin, Push-in connection, 250 V, 16 A, 0.14 mm<sup>2</sup> ... 2.5 mm<sup>2</sup>

# HC-EVO-A10PT-BWSC-HH-M20-PLRBK - Connector set



1424454

<https://www.phoenixcontact.com/us/products/1424454>

## HC-A10-I-PT-F - Contact insert

1585362

<https://www.phoenixcontact.com/us/products/1585362>



Contact insert, number of positions: 10+PE, size: D15, number of connections per position: 1, Socket, Push-in connection, 250 V, 16 A, 0.14 mm<sup>2</sup> ... 2.5 mm<sup>2</sup>

# HC-EVO-A10PT-BWSC-HH-M20-PLRBK - Connector set



1424454

<https://www.phoenixcontact.com/us/products/1424454>

## Technical data

### Product properties

Type	D15
Product type	Connector set
Number of positions	10
Application	Standard
No. of cable outlets	1
Housing type	Complete housing
Protective cover	yes

### Insulation characteristics

Overvoltage category	III
Degree of pollution	3

### Electrical properties

Rated voltage (III/3)	250 V
Rated surge voltage	4 kV
Rated current	16 A

### Connection data

Connection method	Push-in connection
Connection technology	Push-in connection
Conductor cross section	0.14 mm <sup>2</sup> ... 2.5 mm <sup>2</sup> (applies to stranded conductors with ferrules) 0.14 mm <sup>2</sup> ... 2.5 mm <sup>2</sup> (applies to stranded conductors with ferrules)
Connection cross section AWG	26 ... 14

### Dimensions

#### Installation dimensions

Width of the assembly cutout	24 mm
Length of the assembly cutout	58 mm

### Material specifications

Flammability rating according to UL 94	V0
Contact material	Copper alloy
Contact surface material	Ag
Contact carrier material	PC
Locking latch material	PA
Impact strength	IK08
Housing material	PA

### Cable/line

# HC-EVO-A10PT-BWSC-HH-M20-PLRBK - Connector set



1424454

<https://www.phoenixcontact.com/us/products/1424454>

External cable diameter ( )	7 mm ... 13 mm
-----------------------------	----------------

## Environmental and real-life conditions

### Ambient conditions

Degree of protection	IP66
Degree of protection (NEMA)	12 (UL 50e)
Impact strength	IK08
Ambient temperature (operation)	-40 °C ... 100 °C

## Mounting

Connection method	Push-in connection
-------------------	--------------------

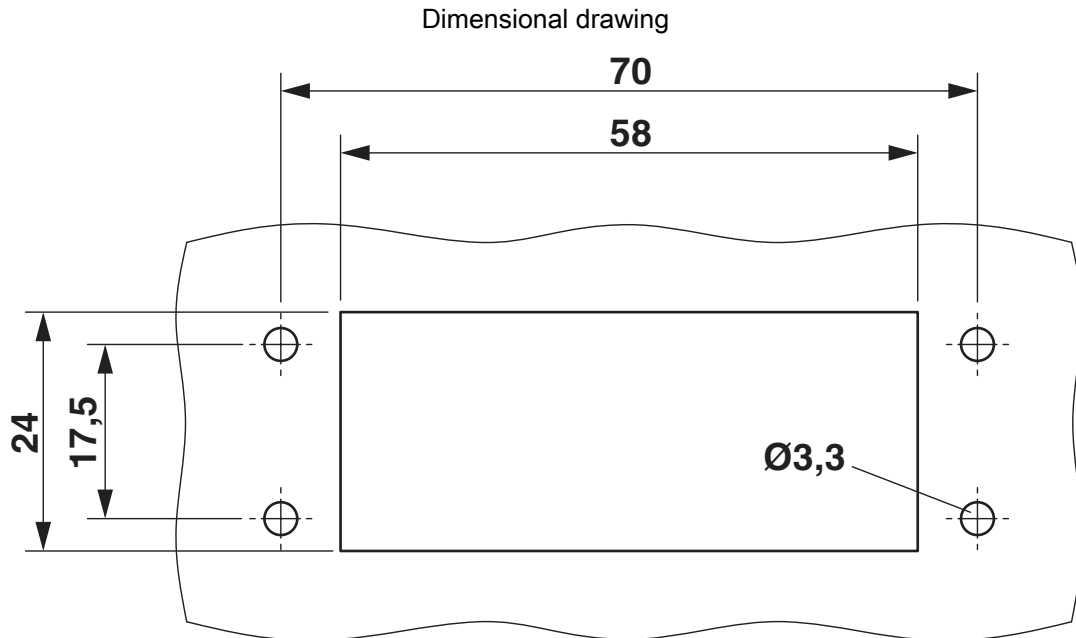
# HC-EVO-A10PT-BWSC-HH-M20-PLRBK - Connector set



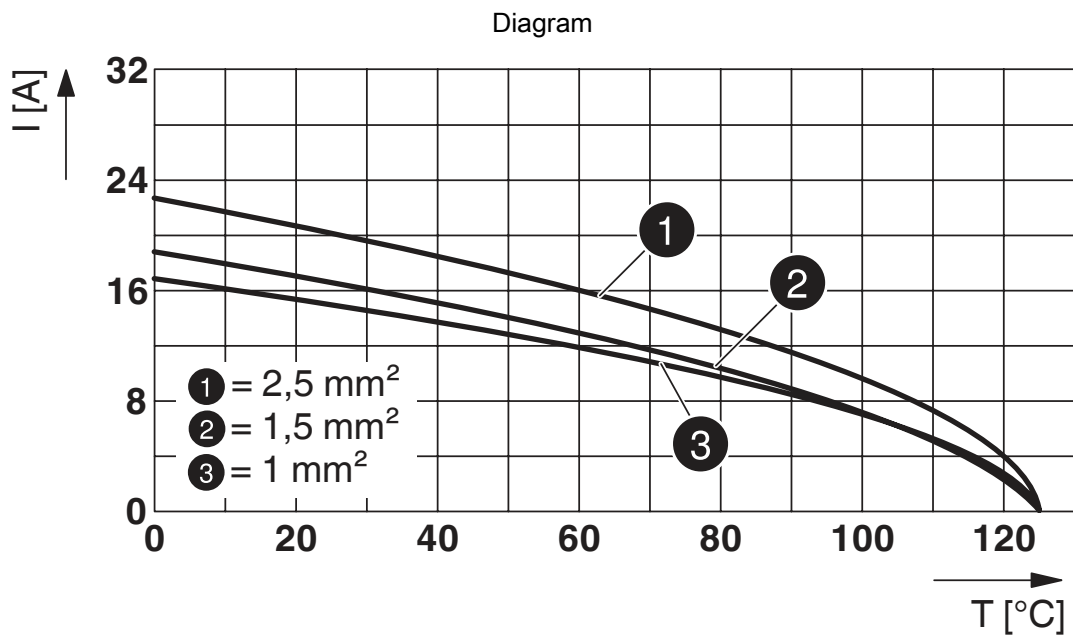
1424454

<https://www.phoenixcontact.com/us/products/1424454>

## Drawings



Mounting cutout



Derating diagram

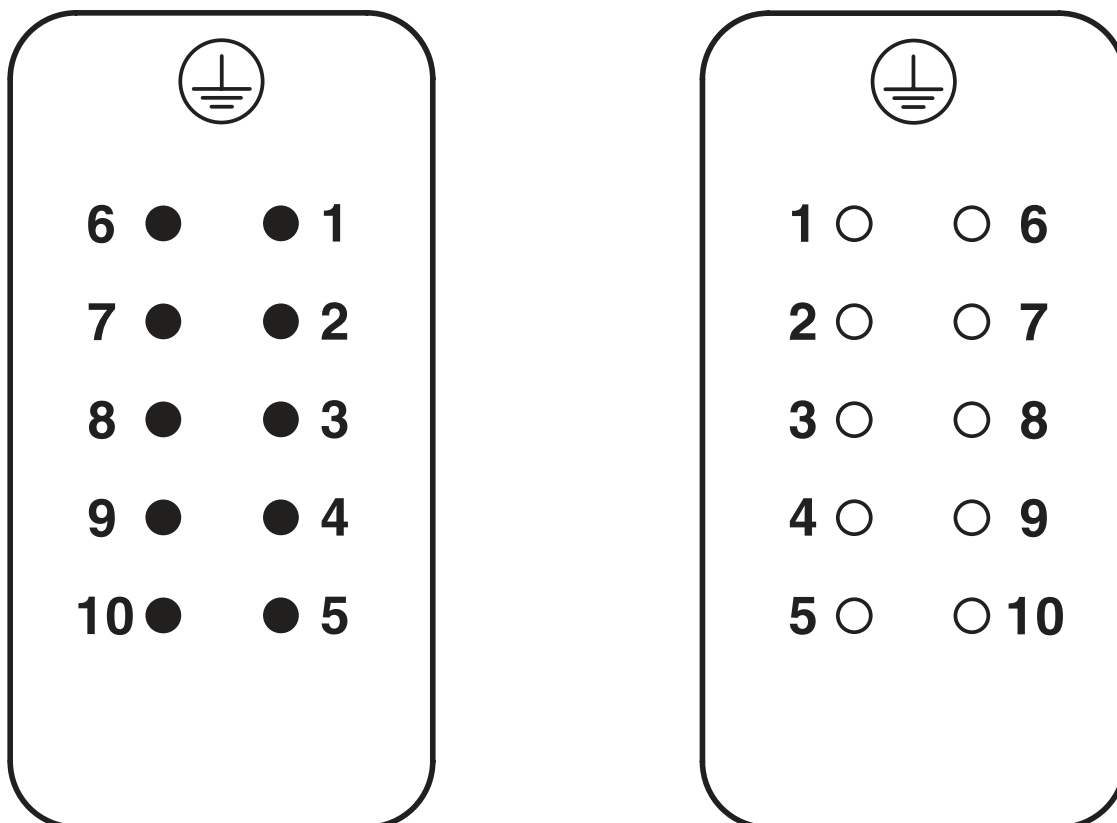
# HC-EVO-A10PT-BWSC-HH-M20-PLRBK - Connector set



1424454

<https://www.phoenixcontact.com/us/products/1424454>

Schematic diagram



Pin assignment, connection side, pin left, socket right



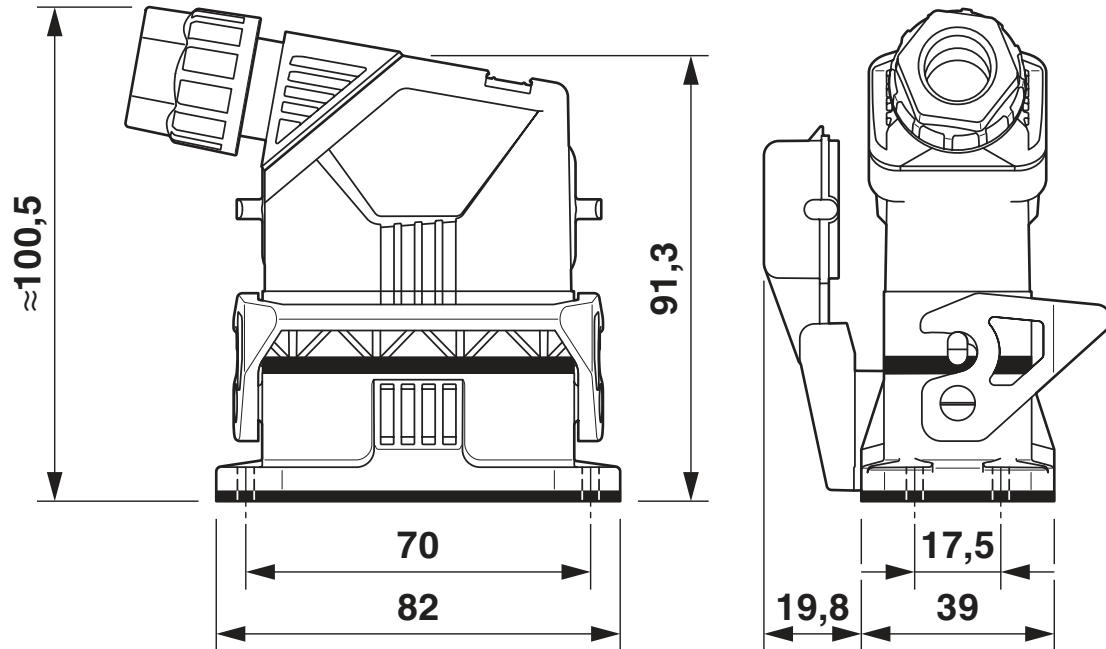
# HC-EVO-A10PT-BWSC-HH-M20-PLRBK - Connector set



1424454

<https://www.phoenixcontact.com/us/products/1424454>

Dimensional drawing



Dimensional drawing

# HC-EVO-A10PT-BWSC-HH-M20-PLRBK - Connector set



1424454

<https://www.phoenixcontact.com/us/products/1424454>

## Approvals

🔗 To download certificates, visit the product detail page: <https://www.phoenixcontact.com/us/products/1424454>

**DNV**

Approval ID: TAE000037S



**EAC**

Approval ID: RU C-DE.BL08.B.00511

# HC-EVO-A10PT-BWSC-HH-M20-PLRBK - Connector set



1424454

<https://www.phoenixcontact.com/us/products/1424454>

## Classifications

### ECLASS

ECLASS-11.0	27440101
ECLASS-12.0	27440113
ECLASS-13.0	27440113

### ETIM

ETIM 8.0	EC002636
----------	----------

### UNSPSC

UNSPSC 21.0	39121400
-------------	----------

# HC-EVO-A10PT-BWSC-HH-M20-PLRBK - Connector set



1424454

<https://www.phoenixcontact.com/us/products/1424454>

## Environmental product compliance

China RoHS	Environmentally friendly use period: unlimited = EFUP-e No hazardous substances above threshold values
------------	---

Phoenix Contact 2023 © - all rights reserved  
<https://www.phoenixcontact.com>

Phoenix Contact USA  
586 Fulling Mill Road  
Middletown, PA 17057, United States  
(+717) 944-1300  
[info@phoenixcon.com](mailto:info@phoenixcon.com)