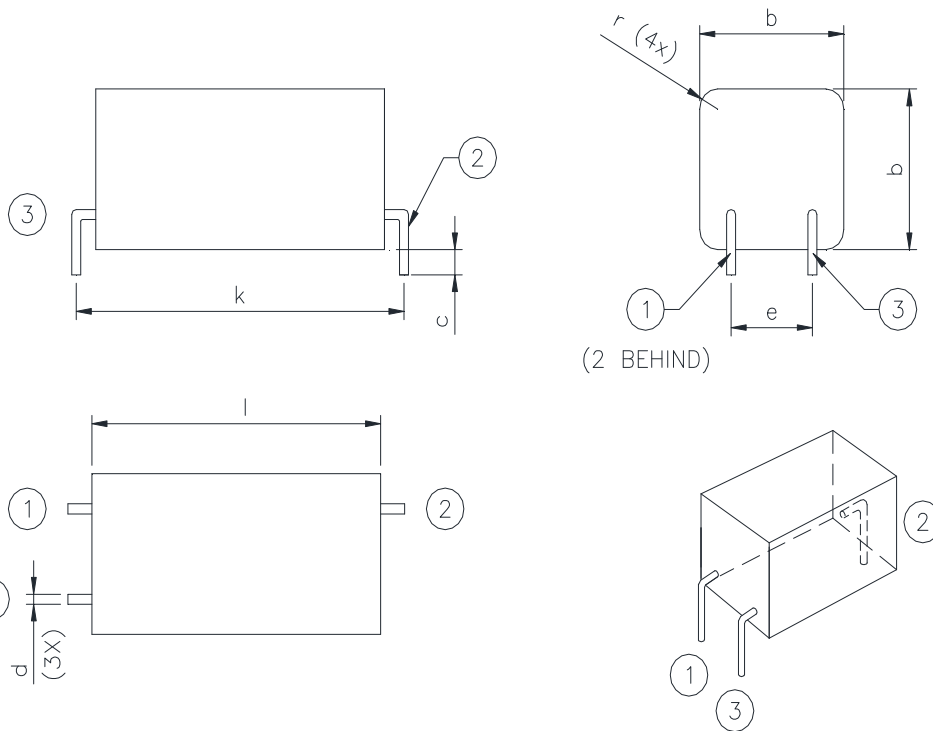


MECHANICAL DATA



e	:	5.0 ± 0.5
l	:	16 ± 0.5
d	:	0.42 sq.
r	:	R 1.5

c	:	3 (min.)
k	:	20.0 ± 0.5
b	:	8.0 ± 0.3

Pin No. 1 Primary & Secondary
 Pin No. 2 Secondary High Voltage

Pin No. 3 Primary


Remarks

Operating temperature : -30°C to +80°C

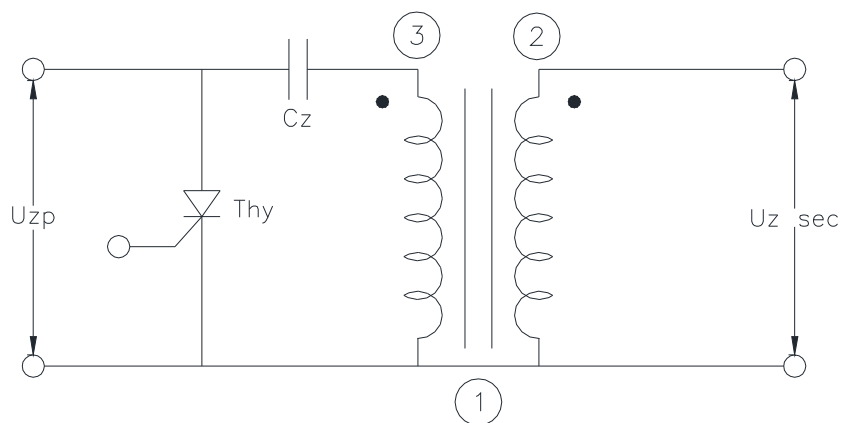
{2}

All soldering materials must be lead free.

RoHS compliance {1}

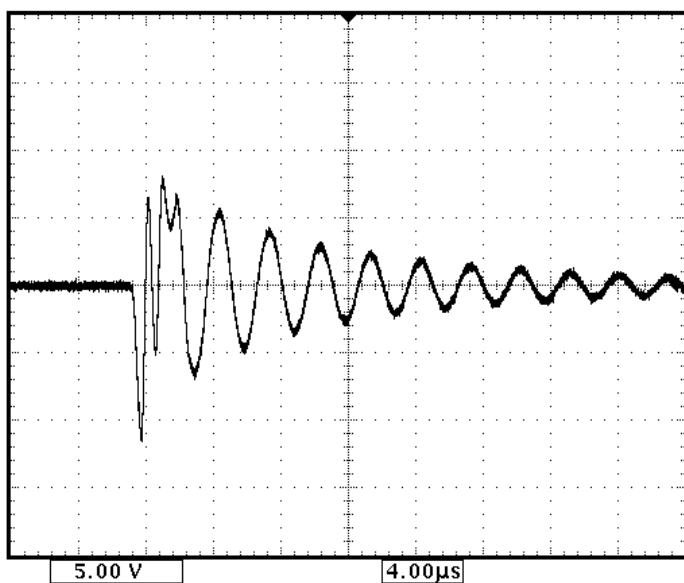
				NAME	DATE	DEPARTMENT		
				DRAWN	MICHAEL LI	01.12.2005		COE
				CHECKED	MICHAEL LI	01.12.2005		COE
				DESCRIPTION			47 AYER RAJAH CRESCENT #06-12 SINGAPORE 139947 TEL: (65) 6775 2022 FAX: (65) 6778 2370	
2	-1/1x1	18.03.13	MAUNG TT	<h2>ZS 1052 AC (H)</h2>				
1	-1/1x1	11.01.06	LMICHAEL					
REV	CHANGE	DATE	NAME					
								PAGE 1 OF 2

OPERATING DATA




Item	Primary	Secondary
Resistance	325 mohm (max.)	150 ± 15 ohm
Primary Voltage, Uzp	Uzp = 300 V	--
Primary Capacitance, Cz	0.047 uF	--
Secondary Voltage, Uz	--	9.5 kV (min.)
Polarity of 1 st peak	--	1 st peak negative
Inductance @ 1 kHz	20 ± 4 uH	20 ± 5 mH

Typical Waveform:



Unloaded high voltage output
4 us/div 5kV/div

	NAME	DATE	DEPARTMENT	 47 AYER RAJAH CRESCENT #06-12 SINGAPORE 139947 TEL: (65) 6775 2022 FAX: (65) 6778 2370
DRAWN	MICHAEL LI	01.12.2005	COE	
CHECKED	MICHAEL LI	01.12.2005	COE	
DESCRIPTION				
ZS 1052 AC (H)				PAGE 2 OF 2