

OPTIREG™ Switcher TLS4120D0EPVxx Core module

Synchronous Step-Down Regulator

About this document

Scope and purpose

This user manual provides information about the characteristics and the usage of the TLS4120D0EPVxx Core module. The Core module is designed to help the user in the evaluation of the OPTIREG™ Switcher TLS4120D0EPVxx synchronous standalone step-down DC/DC converter family in PG-TSDSO-14 exposed-pad package from Infineon Technologies AG.

This user manual includes setup instructions, schematic diagram, bill of materials, and printed-circuit board layout drawings for the evaluation module. Please also refer to the corresponding TLS4120D0EPVxx datasheet.

Intended audience

This document is as intended for engineers who develop applications.

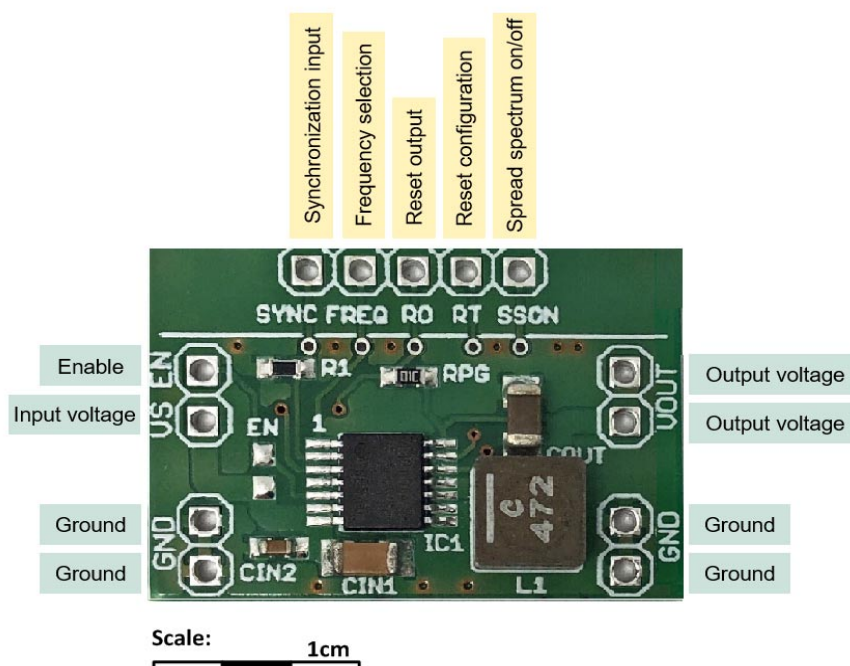


Table of Contents

	About this document	1
1	Introduction	3
1.1	General Description	3
2	Setup and Features	4
2.1	Feature List	4
2.2	Operating Conditions	5
2.3	Board Configuration	6
2.3.1	Enable Function	6
2.3.2	Signal Adaption	7
2.4	Setup and Results	8
2.4.1	Power-up	8
2.4.2	Output Ripple	8
2.4.3	Load transients	9
3	Layout and Schematic	11
3.1	Layout TLS4120D0EPVxx Core module	11
3.2	Schematic TLS4120D0EPVxx Core module	12
4	Bill of Material	13
5	General Information	14
5.1	Restrictions	14
5.2	Additional Information	14
6	Revision History	15

Introduction

1 Introduction

1.1 General Description

The TLS4120D0EPVxx Core module is a compact design and highly integrated step-down DC-DC converter capable of delivering up to 2 A of output current. It employs the OPTIREG™ Switcher TLS4120D0EPV50 2.8 MHz synchronous buck regulator to achieve high conversion efficiency in a small footprint. The reduced BOM allows the design to use less than 1 square inch of board area.

The wide input voltage range between 3.7 V and 35 V together with 100% duty-cycle operation mode make the device suitable for battery cranking scenarios in automotive applications. The device is offering a low-current consumption in PFM mode at light loads to optimize the efficiency. In disabled mode, the current consumption is reduced to typically 1 μ A.

The TLS4120D0EPV50 is able to detect undervoltage and overvoltage conditions of the output voltage and indicates this with the reset output (RO) signal. Overcurrent and overload protections avoid excessive currents to protect the device during short circuit conditions at the buck converter output. The integrated thermal shutdown feature additionally protects the device from overheating.

The Core module is configured to operate as 5 V output voltage and up to 2 A output current at a switching frequency of 2.2 MHz.

Figure 1 presents the core module schematic for quick reference.

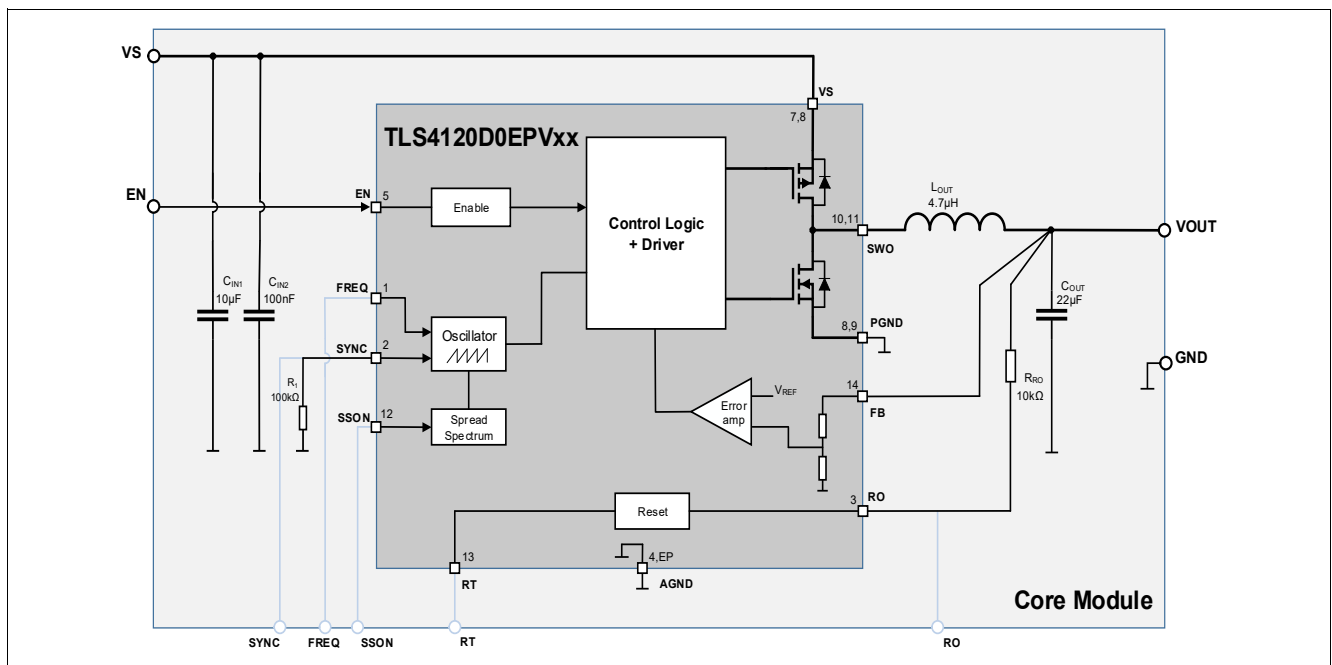


Figure 1 TLS4120D0EPVxx Core module schematic.

2 Setup and Features

The TLS4120D0EPVxx Core module is equipped with TLS4120D0EPV50 to operate as 5 V output voltage and up to 2 A output current at a switching frequency of 2.2 MHz

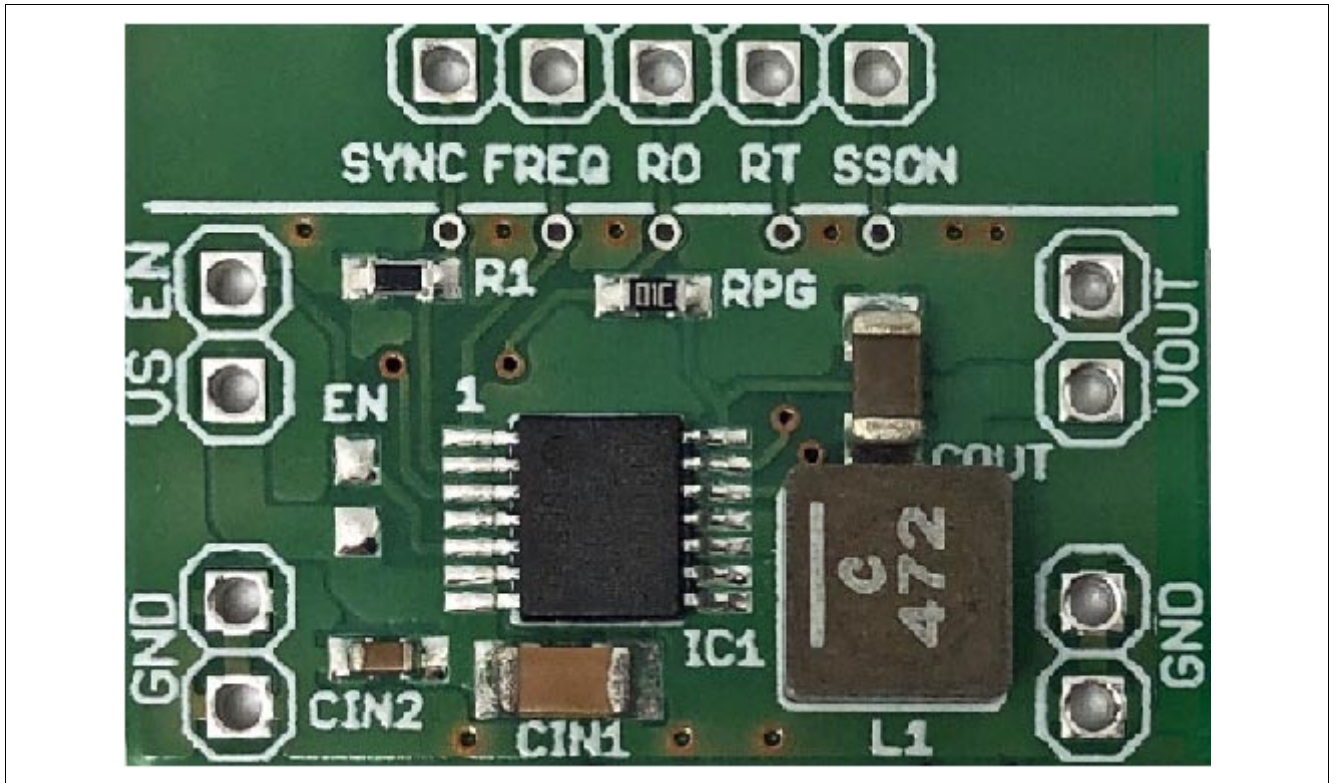


Figure 2 TLS4120D0EPVxx Core module

2.1 Feature List

- 5 V output voltage
- Up to 2 A Output current
- Switching frequency of 2.2 MHz
- Small solution size (26 mm x 18 mm)
- Reduced BOM
- Low quiescent current 31 μ A at no load condition
- 100% duty cycle operation
- Input voltage range from 3.7 V to 35 V
- Integrated high & low side power MOSFETs
- Enable
- Overtemperature Shutdown
- Output Current Limit Protection

Setup and Features

2.2 Operating Conditions

The typical operating conditions of the demo board are listed in **Table 1**. To avoid any electrical damage of the Demoboard, the maximum operating range defined in must be followed.

Table 1 Typical operating conditions¹⁾

Parameter	Symbol	Operating conditions			Unit	Note
		Min.	Typ.	Max.		
Board Supply Voltage ²⁾	VS	6	12	35 ³⁾	V	Power supply
Enable Signal	EN	0	5	35 ³⁾	V	Enable signal to enable or disable the device
Output voltage	VOUT	-	5.0	-	V	Regulated output voltage
Output current	I _{CC}	0	-	2.0	A	Current capability
Switching frequency	f _{OSC}	-	2.2	-	MHz	Default switching frequency
Reset output Signal	RO	0	5.0	5.2	V	Indicates whether reset conditions are met

1) The Demoboard operates at ambient temperature of 25°C.

2) Functional input voltage range starts from 3.7 V to 35 V.

3) Absolute max rating.

Setup and Features

2.3 Board Configuration

The Core Module demonstrator board is easy to set up to evaluate the performance of the OPTIREG™ Switcher TLS4120D0EPV50

- Connect the input power supply to the VS and GND terminals on the left-side of the board.
- Connect the load between the VOUT and GND terminals on the right-side of the board.
- Connect the enable signal to the EN and GND terminals on the right-side of the board to enable and disable the circuit.

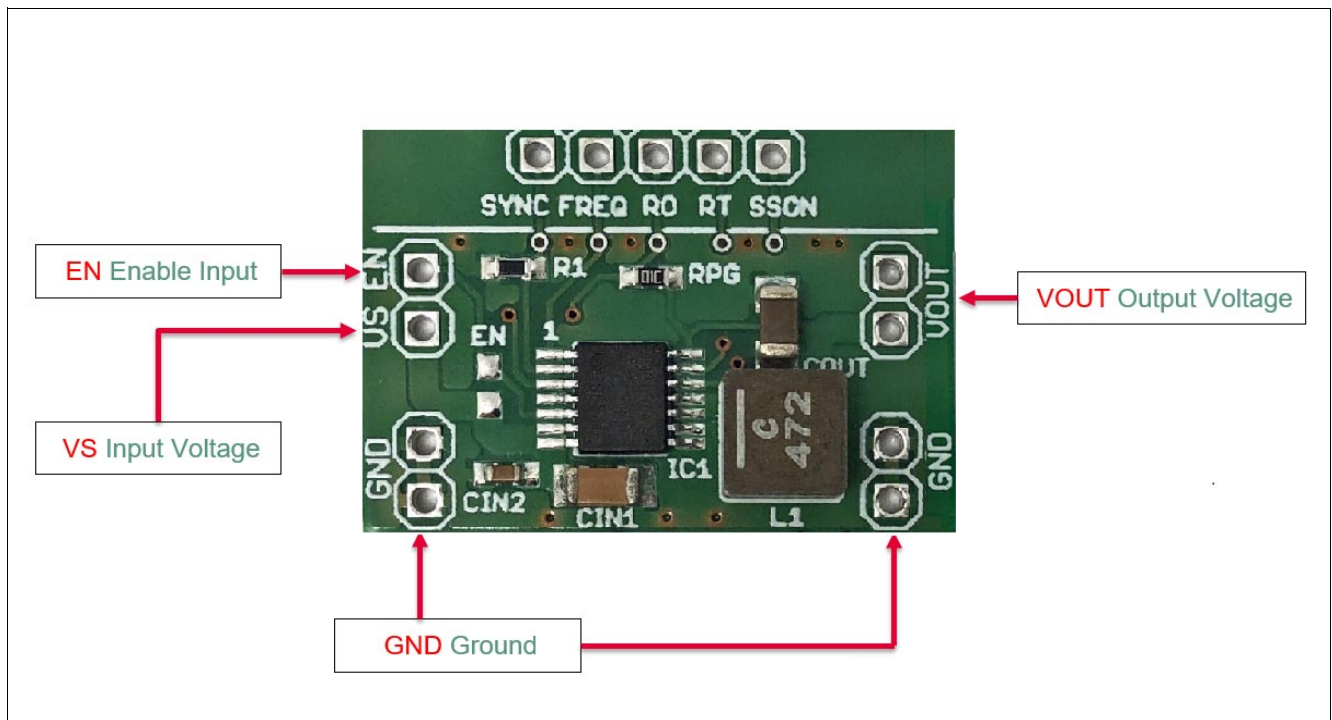


Figure 3 Quick Start - How to connect the TLS4120D0EPVxx Core module

2.3.1 Enable Function

The solder pad EN can be used to connect the EN pin of the device to one of the following:

- Connecting enable signal EN with the supply voltage VS.
- Leave the solder pad open, the EN input pin is supplied from the EN connector.

Table 2 Solder pad EN setting for enable function

Solder pad EN	Function
short	EN is connected to the supply voltage VS; the regulator is enabled while it is supplied
open	EN is supplied from the EN connector ¹⁾

1) Without supplying a signal to EN, the device is disabled because of an internal pull down resistor.

Setup and Features

2.3.2 Signal Adaption

For easy signal adaption e.g. connecting probes for an oscilloscope, connectors VS, EN, VOUT, PG, PG_EXT and GND can be used.

Table 3 Signals on connector

Connector	Accessible Signals
VS	Input voltage
EN	Enable input signal
VOUT	Output voltage
RO	Reset output signal
SYNC	Synchronization input
FREQ	Frequency selection
RT	Reset configuration
SSON	Spread spectrum on/off
GND	System GND

Setup and Features

2.4 Setup and Results

This section describes how to properly use the TLS4120D0EPVxx Core module

The Core module is configured to operate as 5 V output voltage and up to 2 A output current at a switching frequency of 2.2 MHz.

To operate the TLS4120D0EPVxx Core module, connect an input supply to the appropriate pins, and connect a load to the appropriate pins as described in the section [Board Configuration](#).

All the presented measures were performed for a 12V input voltage

2.4.1 Power-up

The OPTIREG™ Switcher TLS4120D0EPV50 provides a soft start function in order to control the ramp up of the output voltage with defined timing during start up. A valid high signal at pin EN will initiate the start up procedure.

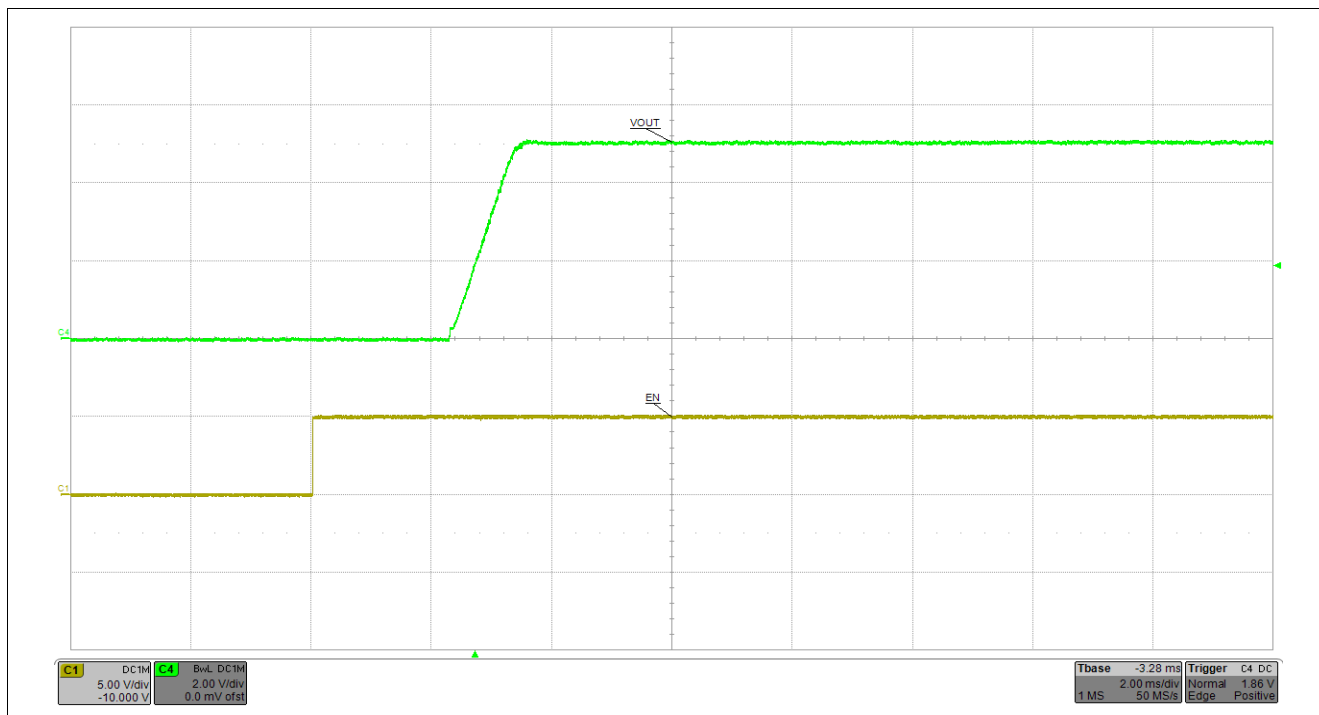


Figure 4 TLS4120D0EPVxx Core module power-up.

2.4.2 Output Ripple

The amplitude of the output voltage ripple is dependent on load current and input voltage and it occurs at the switching frequency of 2.2 MHz. For accurate results, when measuring output voltage ripple, always consider to minimize the loop area connecting the oscilloscope probe as close as possible to the output capacitor and with a short ground lead. Resistance of traces also affect the output ripple and ground loop length increases the amplitude of switching spikes.

Setup and Features

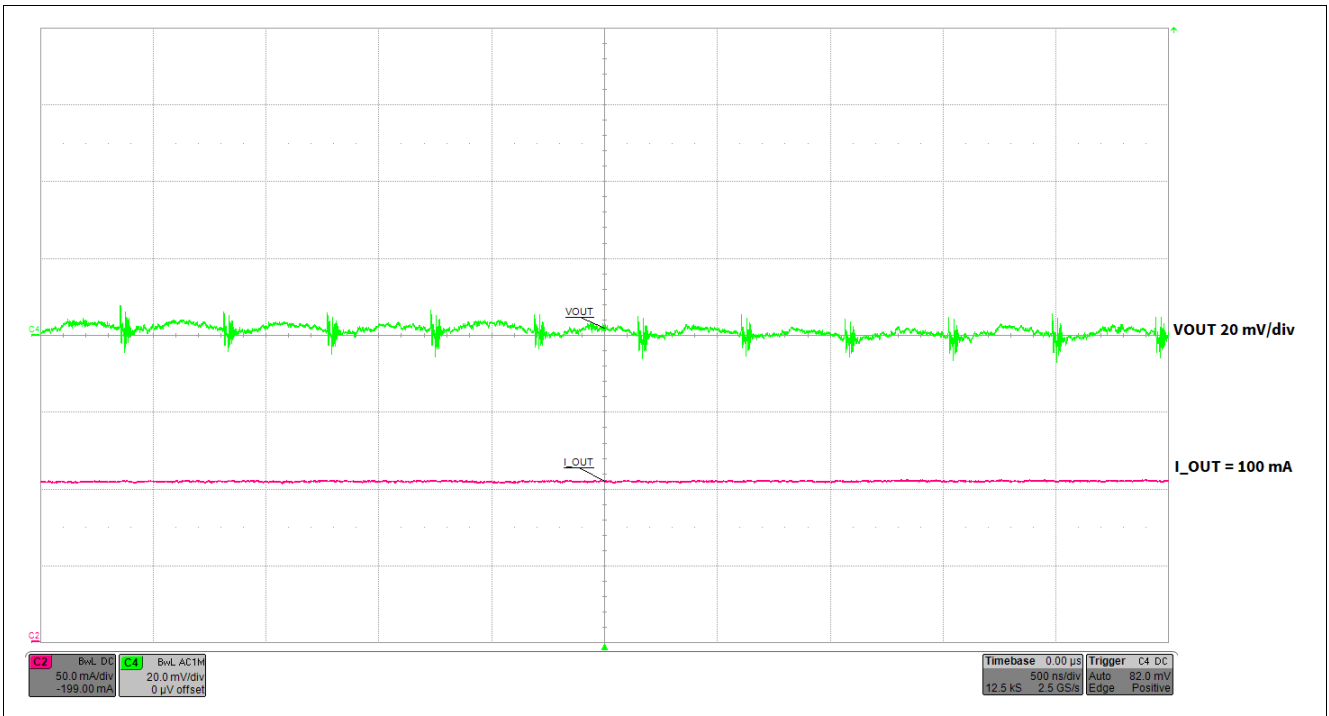


Figure 5 TLS4120D0EPVxx Core module output ripple for 100mA output current.

2.4.3 Load transients

Load transient measurements illustrate the OPTIREG™ Switcher TLS4120D0EPV50 ability to respond to abrupt changes in load current.

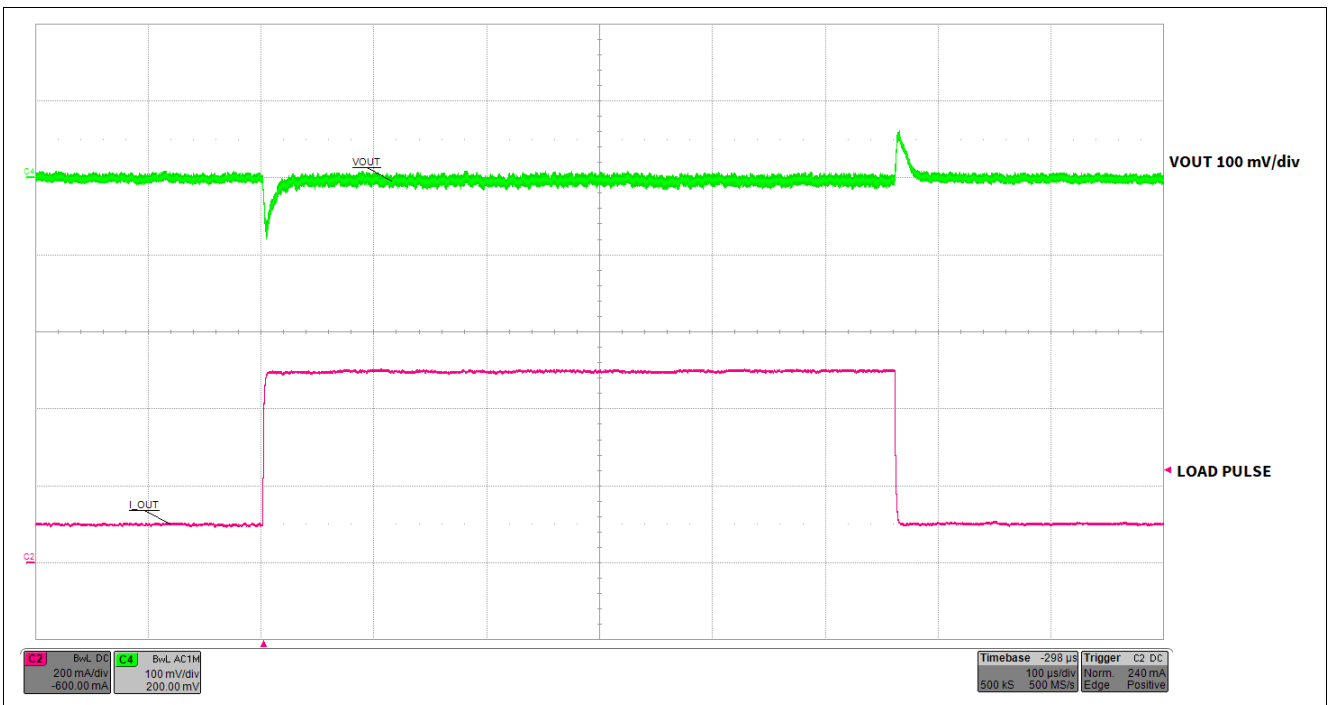


Figure 6 TLS4120D0EPVxx Core module Load Step 100 mA to 500 mA.

Setup and Features

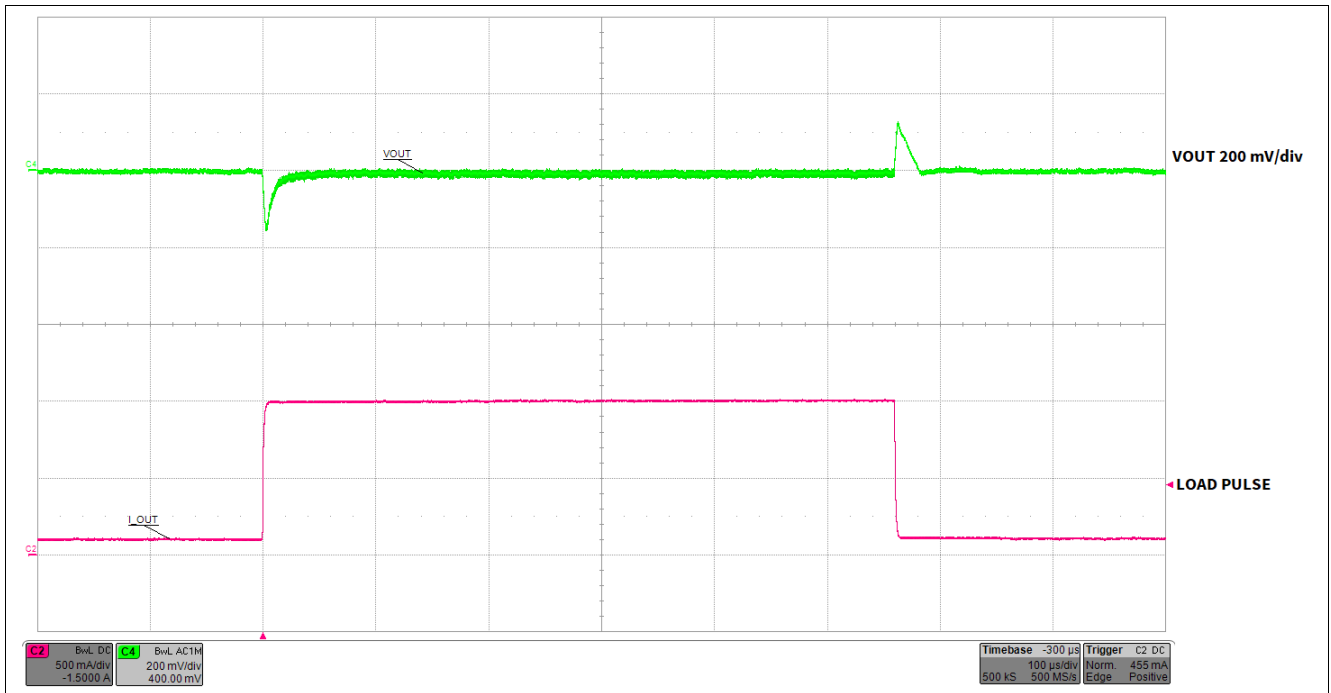


Figure 7 TLS4120D0EPVxx Core module Load Step 100 mA to 1A.

3 Layout and Schematic

3.1 Layout TLS4120D0EPVxx Core module

Figure 8 and **Figure 9** show the board layout and schematic for the Core module. The 14-pin PG-TSDSO-14 package offers an exposed thermal pad, which must be soldered to the copper landing on the PCB for optimal thermal performance. The PCB consists of a 4-layer design. There are 2-oz copper planes on the top and bottom and 1-oz copper mid-layer planes to dissipate heat with an array of thermal vias under the thermal pad to connect to all four layers.

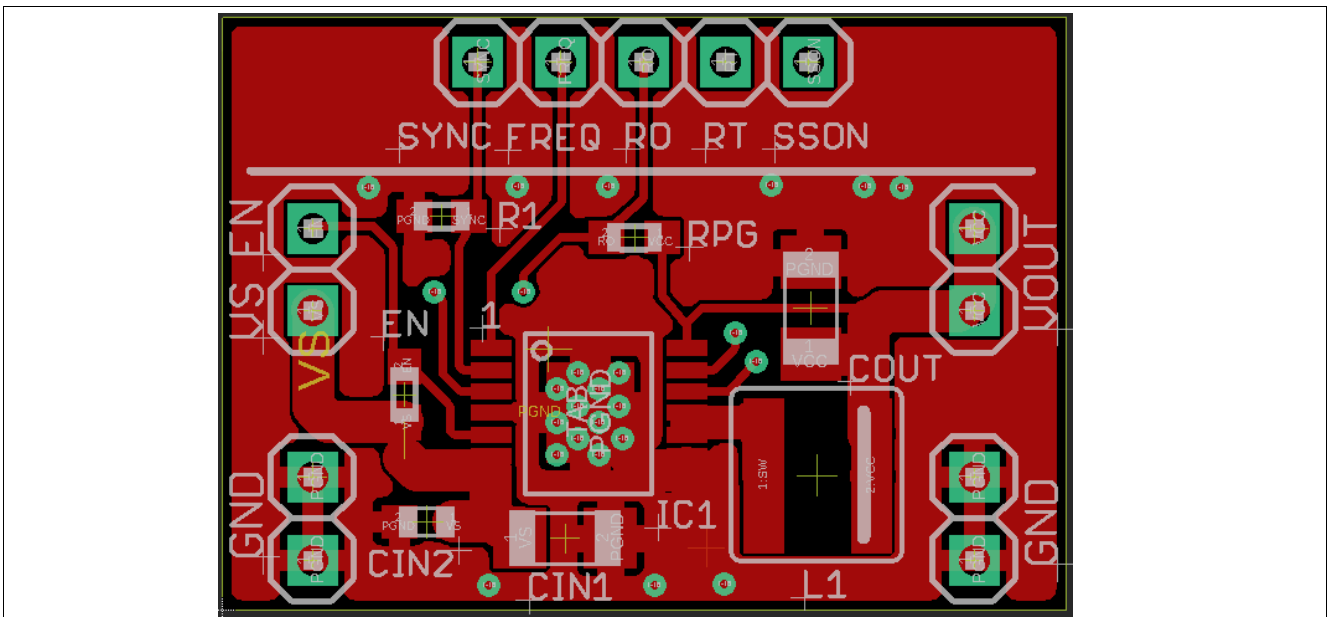


Figure 8 Top Layer of TLS4120D0EPVxx Core module

Layout and Schematic

3.2 Schematic TLS4120D0EPVxx Core module

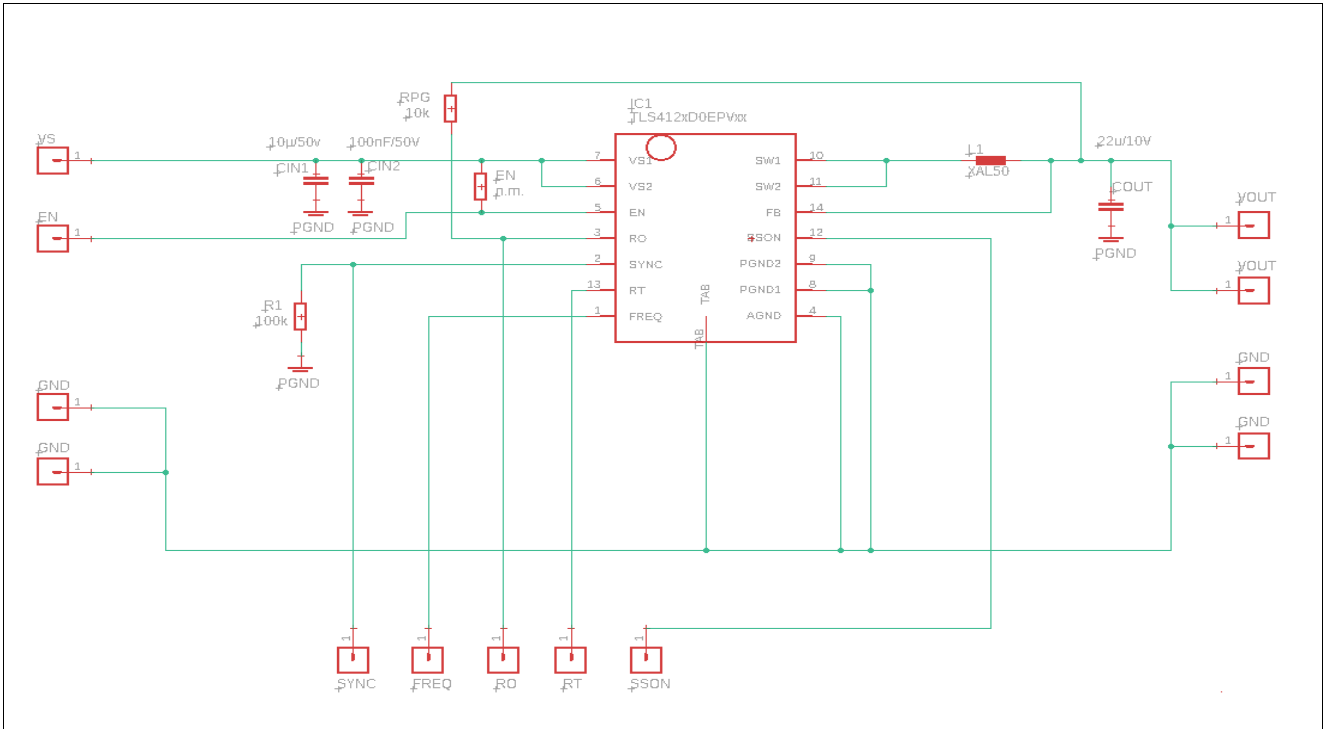


Figure 9 Schematic of TLS4120D0EPVxx Core module

Bill of Material

4 Bill of Material

Table 4 Bill of Material

Part	Value	Package
IC1	TLS4120D0EPV50 / TLS4120D0EPV33	PG-TSDSO-14
CIN1	10 μ F/50V	C1206
CIN2	100nF/50V	C0805
COU1	22 μ F/10V	C1206
L1	4.7 μ H	XAL50
RPG	10 k Ω , 1%	R0805
R1	100 k Ω , 1%	R0805

5 General Information

5.1 Restrictions

This Demoboard is intended as a size optimized solution offering limited features allowing to evaluate and test the Infineon products. For better EMC and specification performance please refer to the corresponding recommended solutions.

The Core module is not an end product (or finished appliance), nor is it intended or authorized by Infineon to be integrated into end products. The Core module may not be used in any production system.

5.2 Additional Information

For further information you may contact <http://www.infineon.com/>

Revision History

6 Revision History

Revision	Date	Changes
1.0	2019-10-30	Initial version

Trademarks

All referenced product or service names and trademarks are the property of their respective owners.

Edition 2019-10-30
Published by
Infineon Technologies AG
81726 Munich, Germany

© 2019 Infineon Technologies AG.
All Rights Reserved.

Do you have a question about any aspect of this document?
Email: erratum@infineon.com

Document reference
Z8F66172118

IMPORTANT NOTICE

The information given in this document shall in no event be regarded as a guarantee of conditions or characteristics ("Beschaffheitsgarantie").

With respect to any examples, hints or any typical values stated herein and/or any information regarding the application of the product, Infineon Technologies hereby disclaims any and all warranties and liabilities of any kind, including without limitation warranties of non-infringement of intellectual property rights of any third party.

In addition, any information given in this document is subject to customer's compliance with its obligations stated in this document and any applicable legal requirements, norms and standards concerning customer's products and any use of the product of Infineon Technologies in customer's applications.

The data contained in this document is exclusively intended for technically trained staff. It is the responsibility of customer's technical departments to evaluate the suitability of the product for the intended application and the completeness of the product information given in this document with respect to such application.

For further information on technology, delivery terms and conditions and prices, please contact the nearest Infineon Technologies Office (www.infineon.com).

WARNINGS

Due to technical requirements products may contain dangerous substances. For information on the types in question please contact your nearest Infineon Technologies office.

Except as otherwise explicitly approved by Infineon Technologies in a written document signed by authorized representatives of Infineon Technologies, Infineon Technologies' products may not be used in any applications where a failure of the product or any consequences of the use thereof can reasonably be expected to result in personal injury.