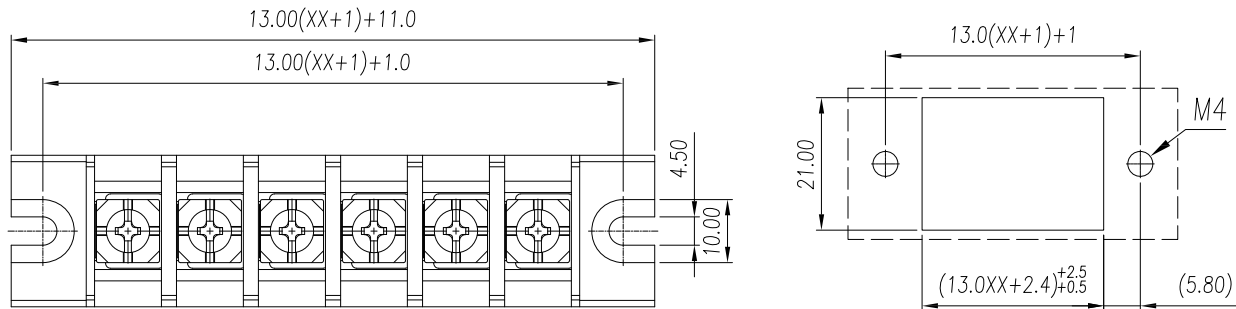
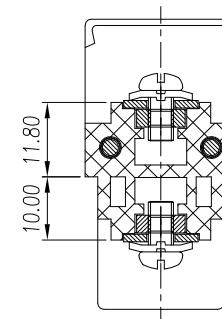
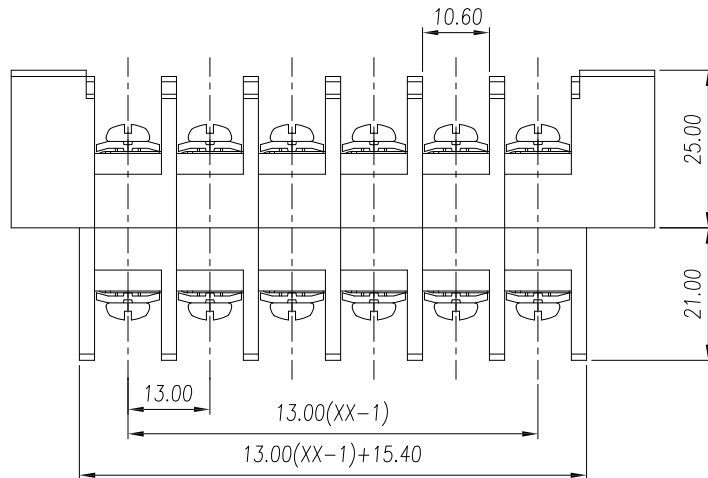
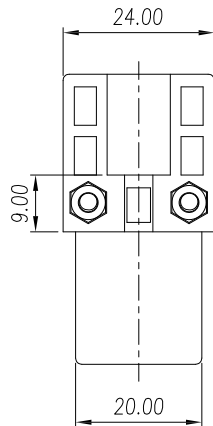


APPROVED: \_\_\_\_\_  
 DATE: \_\_\_\_\_ TITLE: \_\_\_\_\_

Rev	AWO #	Description	Date	Appr
-		RELEASED	11/26/18	



RECOMMENDED MOUNTING CUT-OUT



Poles: 01 thru 15

linear dimension (Tolerances Standard)								—	∕	⊥
variable	to	over	over	over	over	over	over	to	to	to
range	6	10	30	60	100	160	to	10	100	100
tolerance	±0.20	±0.30	±0.50	±0.70	±1.00	±1.30	±1.60	0.10	0.30	0.60

**SPECIFICATIONS:**

Material:  
 Insulator: PBT, rated UL 94V-0  
 Insulator color: Black  
 Contacts: Copper Alloy, Tin plated  
 Screw: M4 Steel, Nickel plated  
 Electrical:  
 Voltage rating: 600 V  
 Current rating: 50 A  
 Contact resistance: 20 mohms  
 Insulation resistance: 1000 Mohms / DC500V  
 Dielectric withstanding voltage: 2,500 VAC for 1 minute  
 Mechanical:  
 Wire Range: 22~8 AWG  
 Torque: 1.2Nm/10.6lb.in/12.2Kgf.cm  
 Temperature Rating:  
 -40°C to +130°C  
 Environmental:  
 Lead free, RoHS compliant.



UNLESS OTHERWISE SPECIFIED ALL DIMENSIONS ARE MILLIMETERS TOLERANCES: EXCEPT AS NOTED		<b>ADAM TECH</b>		909 Rahway Avenue, Union, NJ 07083 Phone: 908-687-5000 Fax: 908-687-5710	
SEE CHART		INTERCONNECTS			
APPROVALS		DATE			
DRAWN	AY	11/26/18			
CHECKED	AC	11/26/18			
APPROVED		TITLE		TERMINAL BLOCK, .512 [13.00] PITCH	
SIZE	PART NO.	REV.			
X	TBU-XX-W2	-			
REF:	S00067C	SCALE:	NTS	SHEET 1 OF 1	