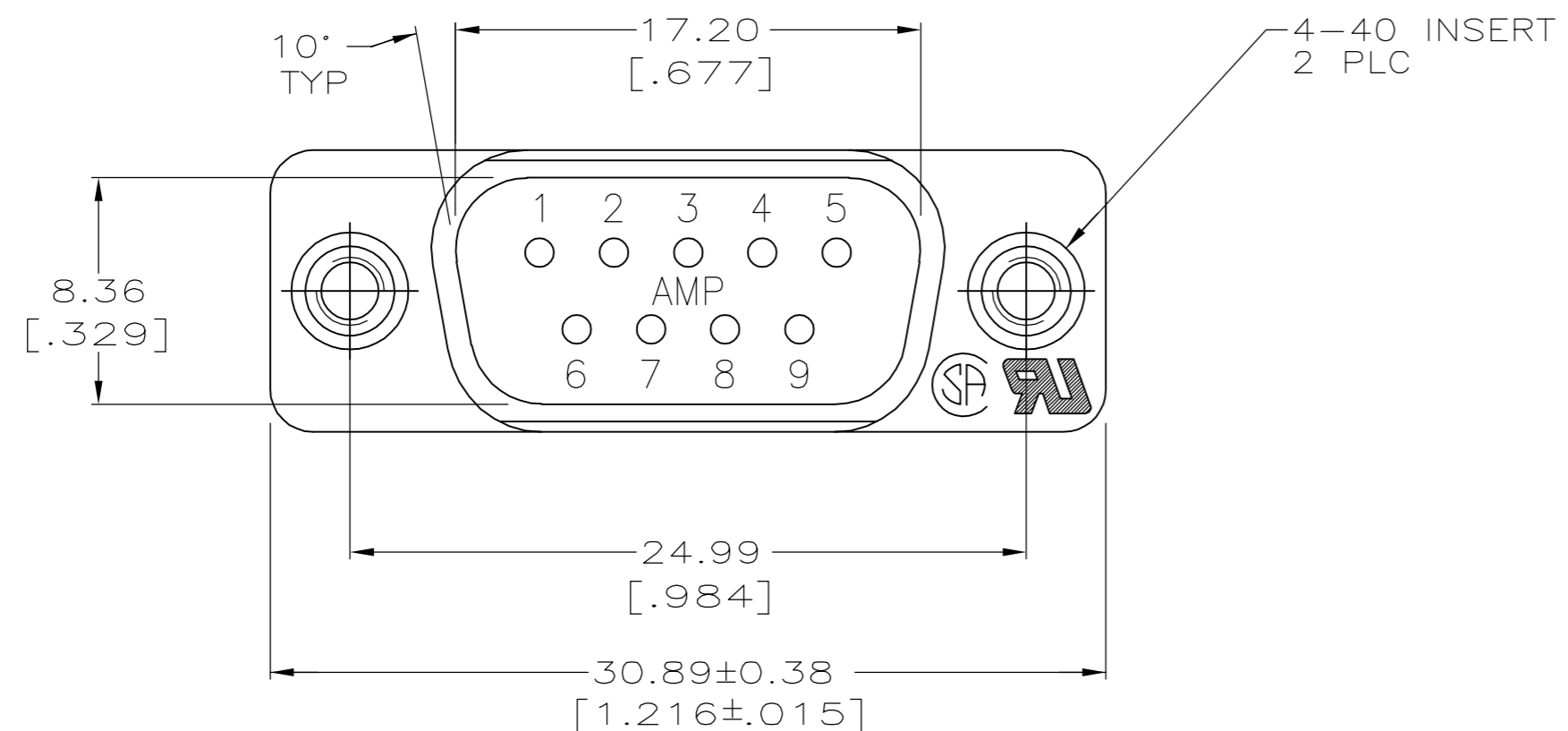
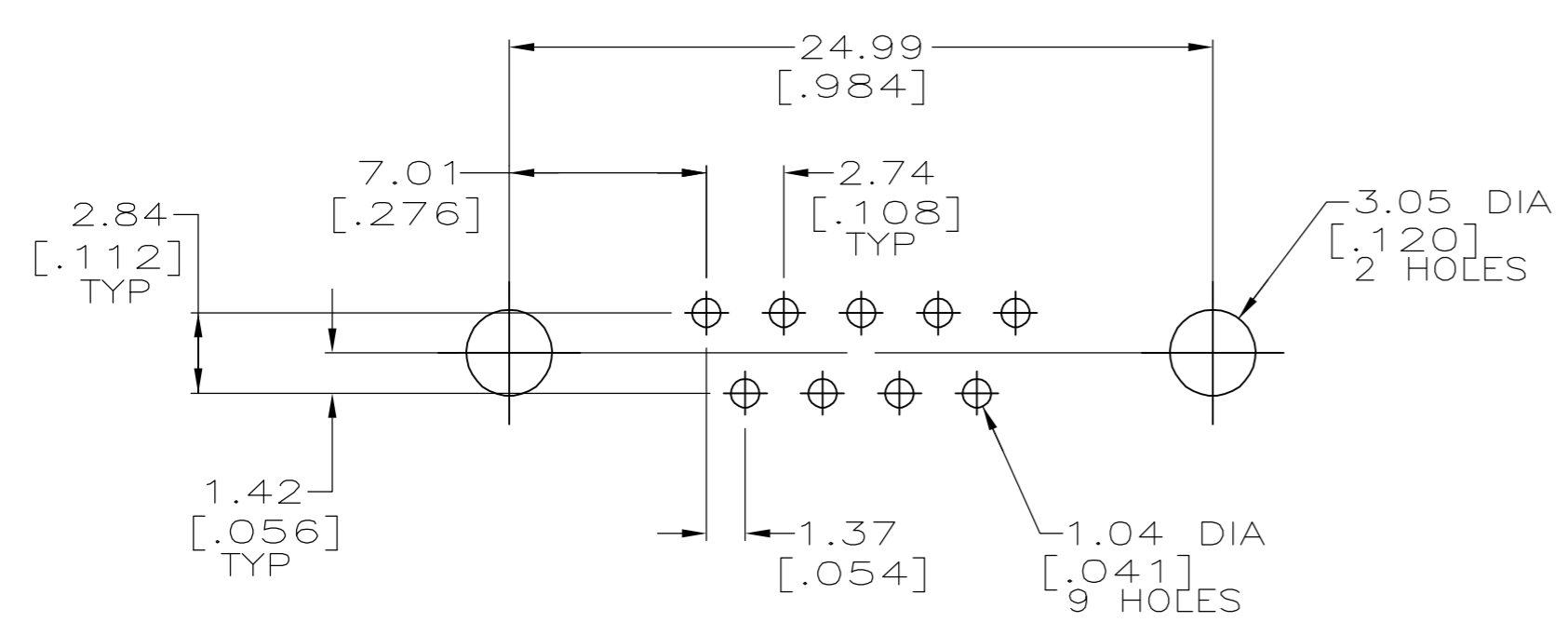
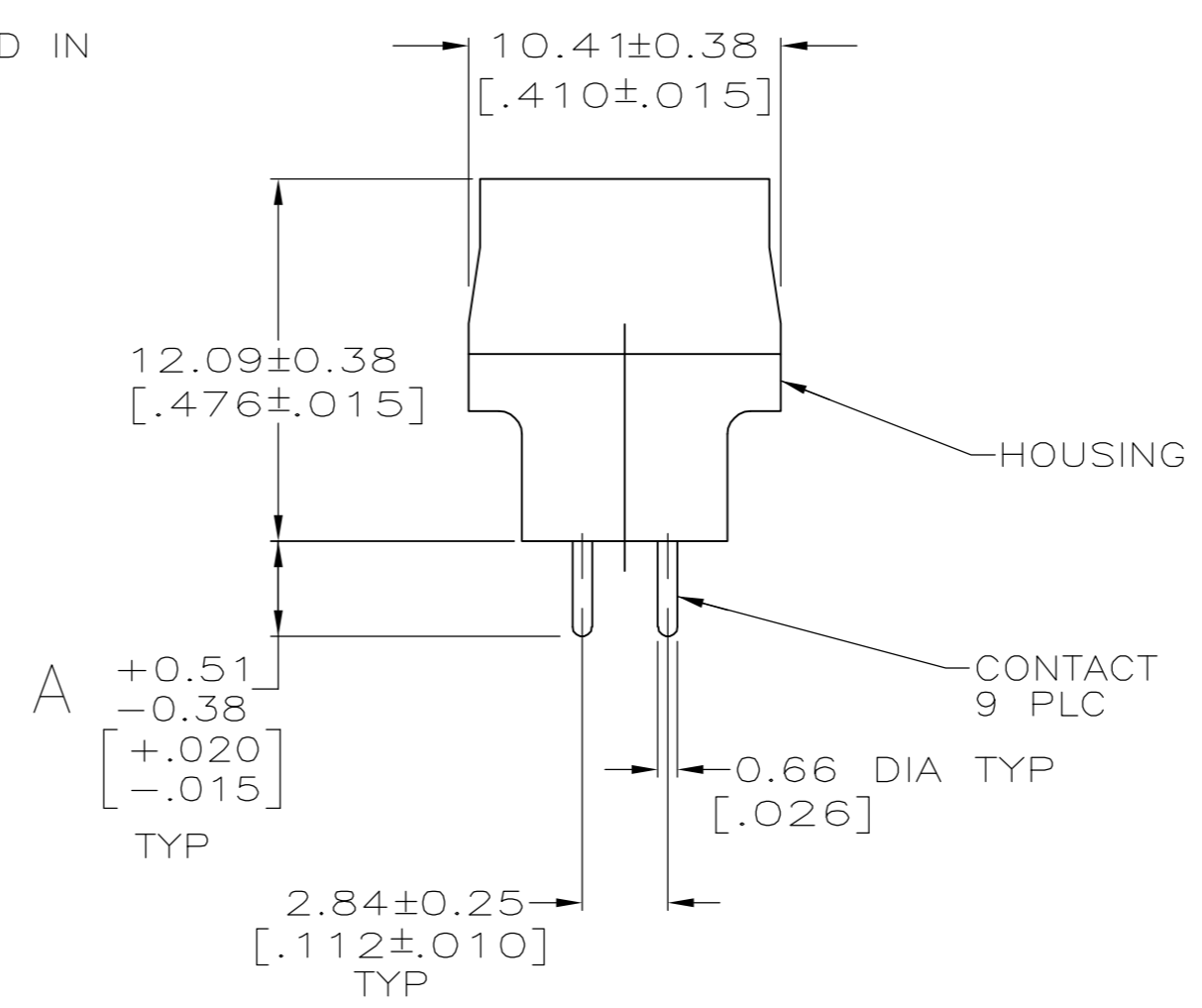
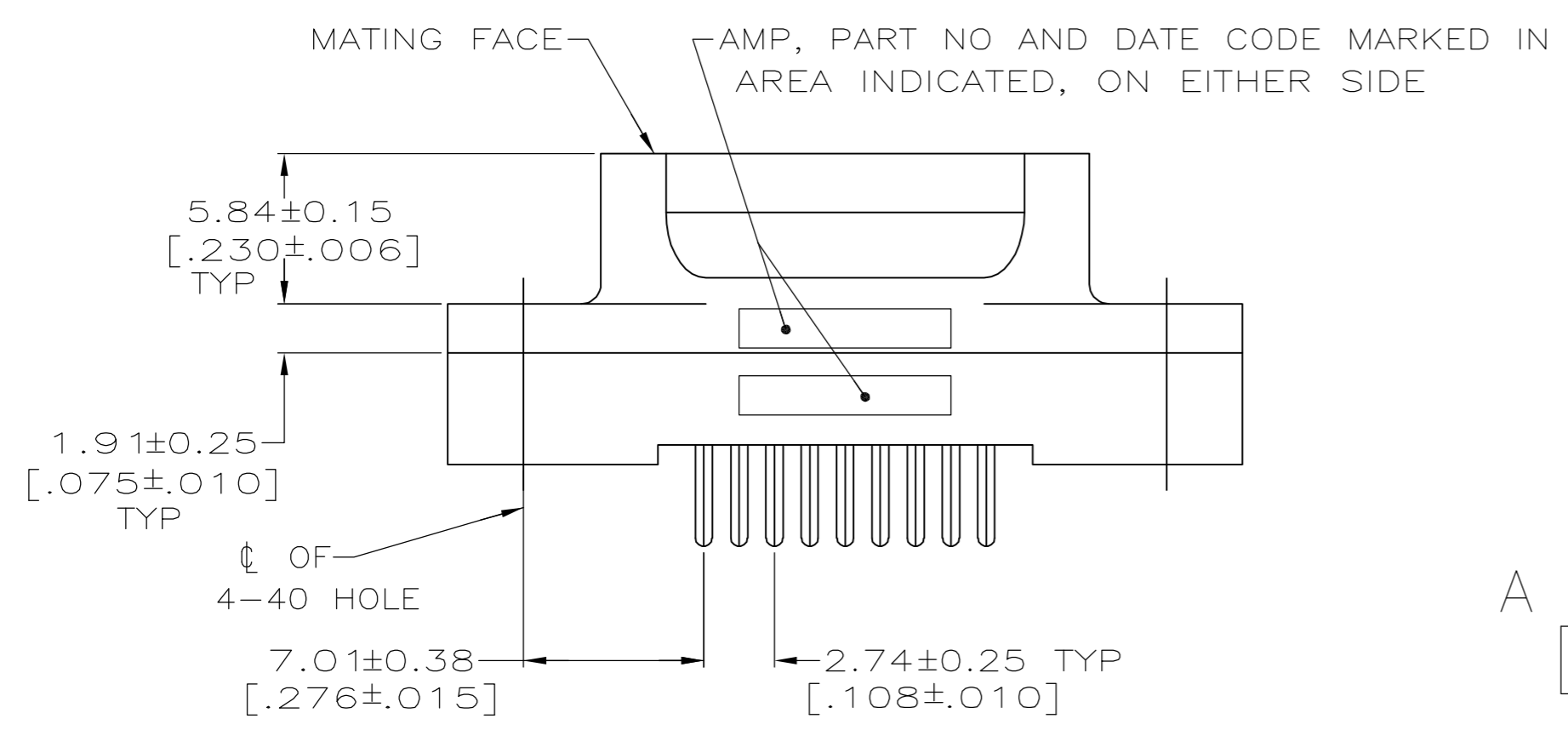


THIS DRAWING IS UNPUBLISHED. RELEASED FOR PUBLICATION  
 © COPYRIGHT BY TYCO ELECTRONICS CORPORATION. ALL RIGHTS RESERVED.

| LOC | DIST | REVISIONS   |                           |           |         |
|-----|------|-------------|---------------------------|-----------|---------|
| P   | LTR  | DESCRIPTION | DATE                      | DWN       | APVD    |
| GP  | 00   | H           | REVISED PER ECO-06-028338 | 11/DEC/06 | ZMR/EDB |



- 1 HOUSING: BLACK POLYESTER, UL 94V-0 RATED;  
CONTACTS: BRASS  
INSERTS: BRASS
- 2 GOLD PLATED FOR LENGTH OF 3.81 [.150] MIN FROM MATING END, GOLD FLASH IN MATED AREA, 2.54µm [.000100] MIN TIN OR TIN-LEAD FOR A LENGTH OF DIMENSION A FROM OPPOSITE END, BOTH OVER 1.27µm [.000050] MIN NICKEL.
- 3 GOLD PLATED FOR LENGTH OF 3.81 [.150] MIN FROM MATING END, 0.76µm [.000030] MIN GOLD IN MATED AREA, 2.54µm [.000100] MIN TIN OR TIN-LEAD FOR A LENGTH OF DIMENSION A FROM OPPOSITE END, BOTH OVER 1.27µm [.000050] MIN NICKEL.  
-OR-  
GOLD FLASH OVER PALLADIUM NICKEL FOR A LENGTH OF 3.81 [.150] MIN FROM MATING END, 0.76µm [.000030] MIN PALLADIUM NICKEL IN MATED AREA, 2.54µm [.000100] MIN TIN OR TIN-LEAD FOR A LENGTH OF DIMENSION A FROM OPPOSITE END, BOTH OVER 1.27µm [.000050] MIN NICKEL.



RECOMMENDED PC BOARD MOUNTING DIMENSIONS

| OBsolete | Dimension A | Contact Finish | Part Number |
|----------|-------------|----------------|-------------|
| OBsolete | 6.35 [.250] | 3              | 745051-6    |
| OBsolete | 6.35 [.250] | 2              | 745051-5    |
| OBsolete | 4.32 [.170] | 3              | 745051-4    |
| OBsolete | 4.32 [.170] | 2              | 745051-3    |
|          | 3.18 [.125] | 3              | 745051-2    |
|          | 3.18 [.125] | 2              | 745051-1    |

|  |  |                                  |  |  |
|--|--|----------------------------------|--|--|
| THIS DRAWING IS A CONTROLLED DOCUMENT. |  | DWN J McCLINTON 11-14-89         | tyco Electronics Corporation<br>Harrisburg, PA 17105-3608      |  |
| DIMENSIONS: mm [INCHES]                |  | CHK R.STONE 2-1-90               | NAME PLUG ASSEMBLY, SIZE 1, 9 POSN, VERTICAL, AMPLIMITE® HD-20 |  |
| TOLERANCES UNLESS OTHERWISE SPECIFIED: |  | APVD C. ROHDE 2-5-90             | PRODUCT SPEC 108-40025   |  |
| 0 PLC ± -                              |  | APPLICATION SPEC -               |  |  |
| 1 PLC ± -                              |  | WEIGHT -                         |  |  |
| 2 PLC ± 0.13 [.005]                    |  | SCALE 4:1                        |  |  |
| 3 PLC ± -                              |  | SHEET 1 of 1                     |  |  |
| 4 PLC ± -                              |  | REV H                            |  |  |
| ANGLES ± 2'                            |  | CUSTOMER DRAWING                 |  |  |
| FINISH CONTACTS: SEE TABLE             |  | SIZE A2 CAGE CODE 00779 C=745051 |  |  |