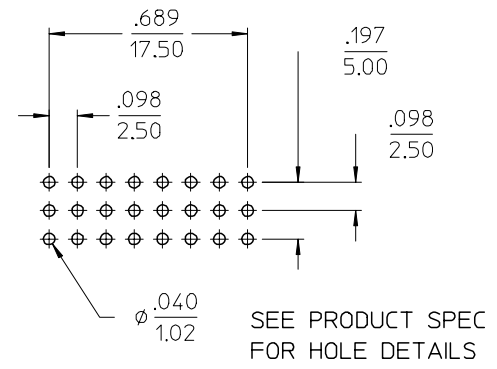
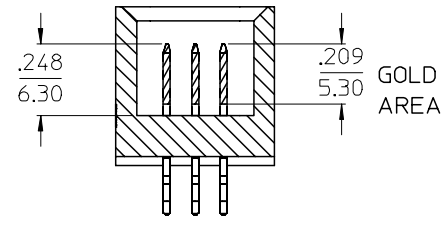
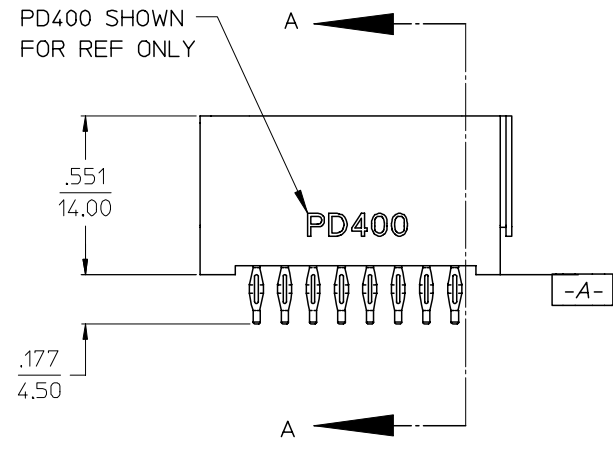
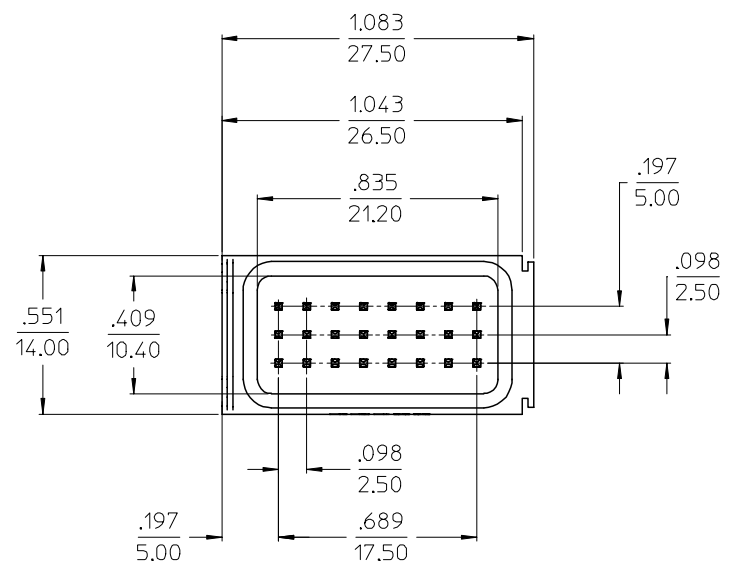
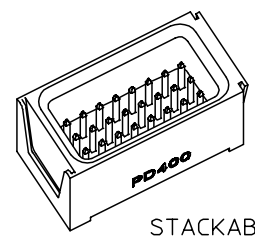


NOTES:

1. HOUSING MATERIAL: LCP, GLASS FILLED, UL94V-0, COLOR-BLACK.
CONTACTS: PHOSPHORE BRONZE
2. FINISH: SELECT GOLD - 30 M.I. MIN / SELECT TIN - 150 M.I. MIN
BOTH OVER NICKEL
3. PRODUCT SPECIFICATION: PS-45424-001
4. PACKAGING SPECIFICATION: TBD
5. THIS MODULE INTERLOCKS WITH ANY OTHER MOLEX POWER DOCK MODULE
6. DATUM -A- IS THE CONNECTOR MOUNTING SURFACE.



PCB LAYOUT: COMPONENT SIDE
RECOMMENDED PCB THICKNESS: .093/2.36 MIN
PCB TOLERANCE: ±.002/0.05



STACKABLE
SEE NOTE 5
SCALE 1:1

RELEASED EC NO: UCP2003-2238 DRWN: KSAMIEC 2003/05/06 CHKD: 2003/05/06 APPR: YMARGULI 2003/05/08	QUALITY SYMBOLS ▽ - 0 ∇ - 0	GENERAL TOLERANCES (UNLESS SPECIFIED)		SCALE 1.5:1	DESIGN UNITS METRIC	THIRD ANGLE PROJECTION	REVISE ON CAD ONLY			
			mm	INCH	DIMENSION STYLE IN/MM		TITLE			
		4 PLACES ± ---	± ---	± ---	DRAWN BY SAMIEC	DATE 2003/02/12	POWER DOCK MODULE SIGNAL 24 PIN VERT CPI 248			
		3 PLACES ± ---	± .010	± .015	CHECKED BY MARGULIS	DATE 2003/02/12	PD400 MOLEX INCORPORATED			
			1 PLACE ± 0.38	± ---	ANGULAR ± 1/2°	APPROVED BY MARGULIS	DATE 2003/02/12	MATERIAL NO. 45529-0001	DOCUMENT NO. SD-45529-001	SHEET NO. 1 OF 1
DRAFT WHERE APPLICABLE		MUST REMAIN WITHIN DIMENSIONS		THIS DRAWING CONTAINS INFORMATION THAT IS PROPRIETARY TO MOLEX INCORPORATED AND SHOULD NOT BE USED WITHOUT WRITTEN PERMISSION						