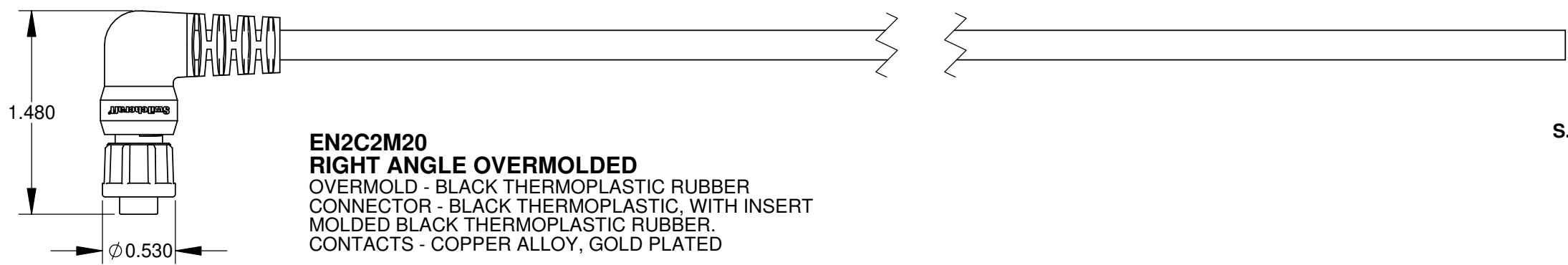
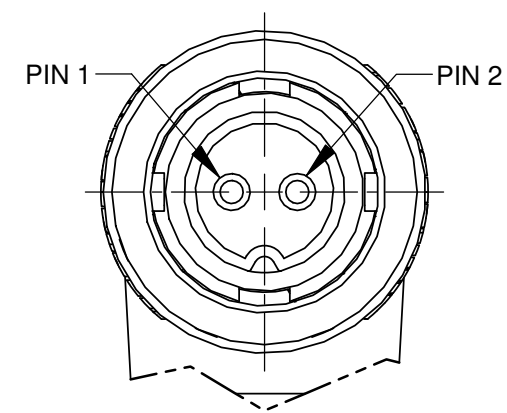


KEY WAY AT 6 O'CLOCK POSITION



**EN2C2M20  
RIGHT ANGLE OVERMOLDED**  
OVERMOLD - BLACK THERMOPLASTIC RUBBER  
CONNECTOR - BLACK THERMOPLASTIC, WITH INSERT  
MOLDED BLACK THERMOPLASTIC RUBBER.  
CONTACTS - COPPER ALLOY, GOLD PLATED

S.C.O



**EN2C2M20 VIEWED FROM  
FRONT MATING  
SIDE OF CONNECTOR  
SCALE 3 : 1**

WIRING TABLE	
EN2C2M20	WIRE COLOR
PIN 1	BLACK
PIN 2	WHITE

**CUSTOMER DRAWING**

NOTES:  
1. THIS PRODUCT IS RoHS COMPLIANT.

					THIS DRAWING DESCRIBES A DESIGN CONSIDERED PROPRIETARY IN NATURE, DEVELOPED AND MANUFACTURED BY SWITCHCRAFT INC. AND IS RELEASED ON A CONFIDENTIAL BASIS FOR IDENTIFICATION PURPOSES ONLY.					
					SIZE *	WIDTH *	MULT *	LBS/M *	TEMPER *	
					FINISH *			MATERIAL *		
					SPEC No. *			SPEC No. *		
					FIRST USED ON *		SCALE 1:1			
					DATE DRAWN	BY	CHKD	APVD		
					11/23/16	AB	AB	*		
							11/23/16	*		
					NAME EN2C2M20 RIGHT ANGLE ON 79" OF CABLE, RoHS				PART No. CARAEN2C2M07990	
					DO NOT SCALE DRAWING				REV 0A	
REV	ECO NUMBER	DATE	BY	APVD						
REVISIONS										

SolidWorks CAD File **B**