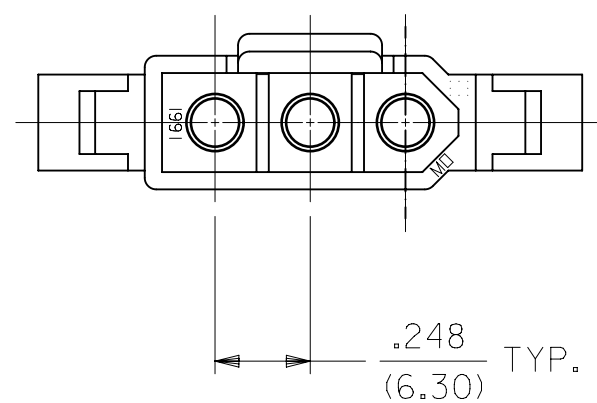
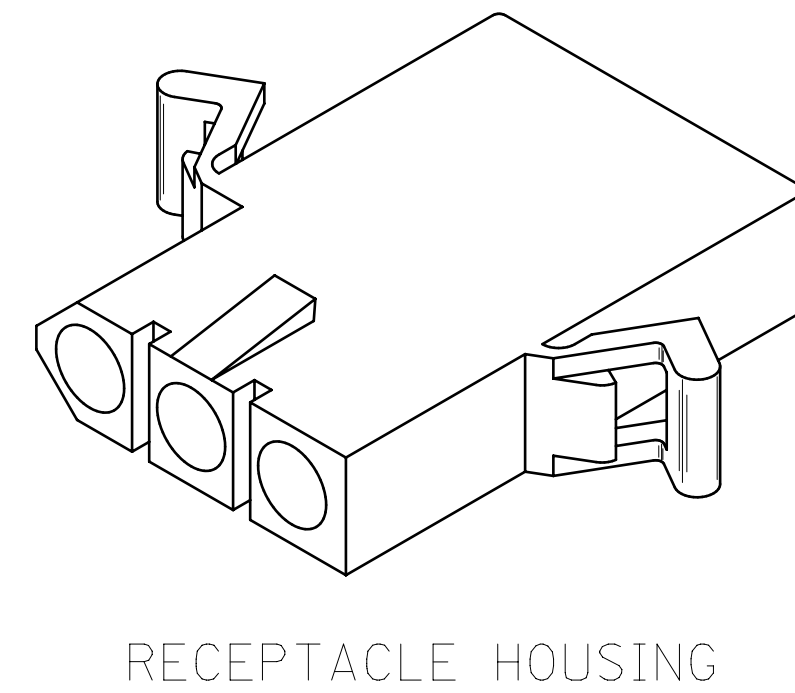
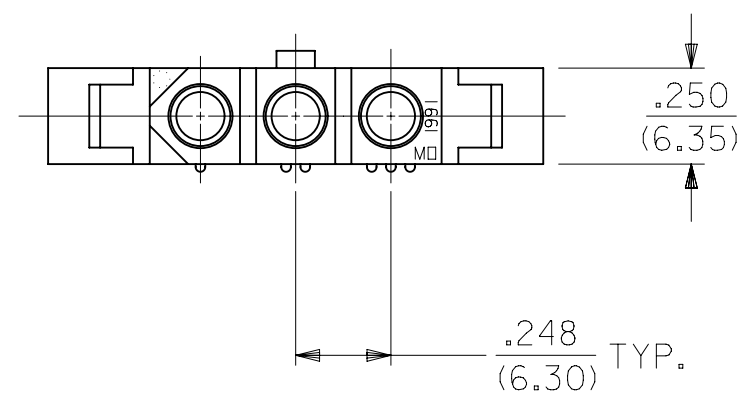
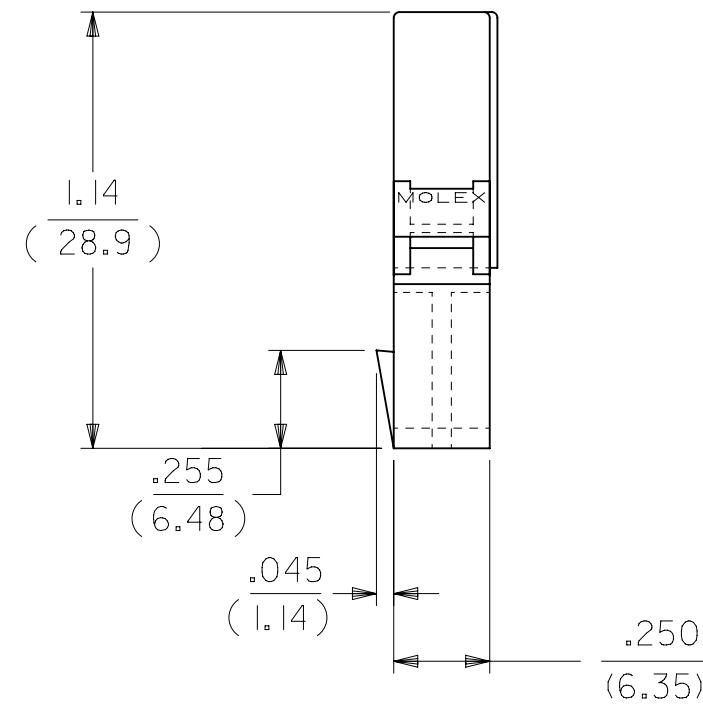
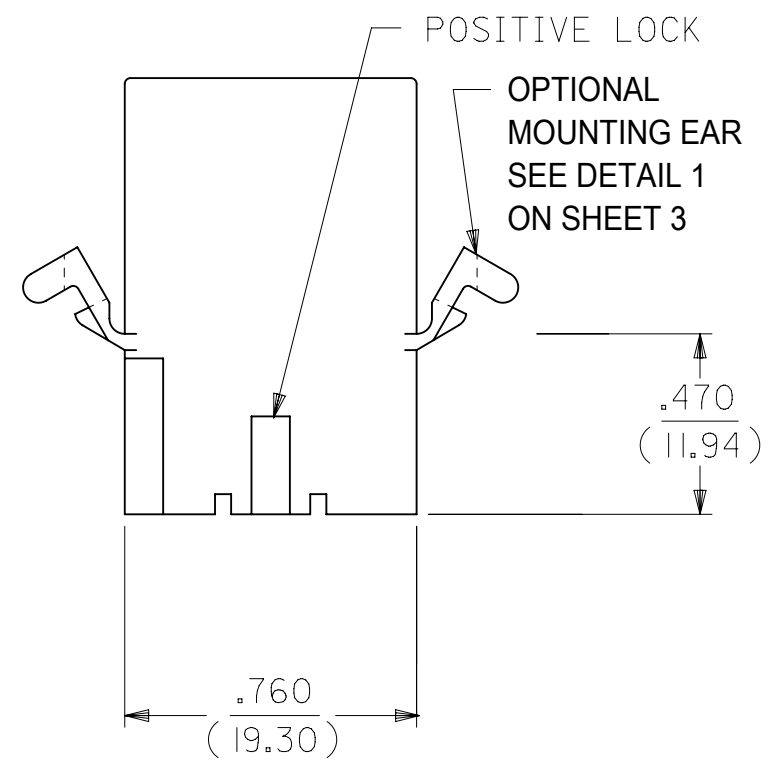
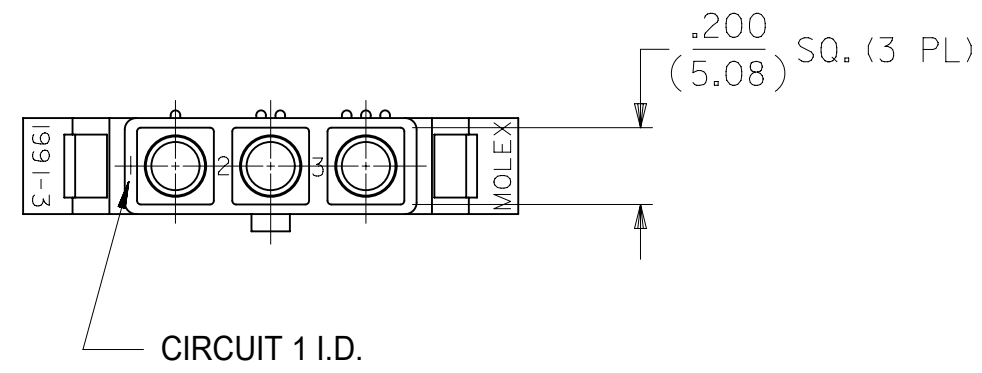


PLUG HOUSING



THIS DRAWING CONTAINS INFORMATION THAT IS PROPRIETARY TO MOLEX ELECTRONIC TECHNOLOGIES, LLC AND SHOULD NOT BE USED WITHOUT WRITTEN PERMISSION									
DIMENSION UNITS		SCALE		CURRENT REV DESC:				<b>molex</b>	
IN/MM		2:1							
GENERAL TOLERANCES (UNLESS SPECIFIED)				EC NO: 624787		2019/05/16		.093/(2.36) HOUSINGS, PLUG AND RECEPTACLE, 3 CKT, .248/(6.30) CTRS	
4 PLACES		±		DRWN: RPRABHUM		2019/11/11			
3 PLACES		± 0.005		CHK'D: GGA		2019/11/11		PRODUCT CUSTOMER DRAWING	
2 PLACES		± 0.13 ± 0.01		APPR: GGA		2019/11/11			
1 PLACE		± 0.25 ±		INITIAL REVISION:				DOCUMENT NUMBER	
0 PLACES		±		DRWN: GEP		1988/03/07			
ANGULAR TOL		± 1.0 °		APPR: FSMITH		2014/06/10		SD-1991-3X	
DRAFT WHERE APPLICABLE MUST REMAIN WITHIN DIMENSIONS				THIRD ANGLE PROJECTION		DRAWING		SERIES	
				C-SIZE		1991		MATERIAL NUMBER	
								CUSTOMER	
								SEE CHART	
								GENERAL MARKET	
								SHEET NUMBER	
								1 OF 3	



RECEPTACLE HOUSING

THIS DRAWING CONTAINS INFORMATION THAT IS PROPRIETARY TO MOLEX ELECTRONIC TECHNOLOGIES, LLC AND SHOULD NOT BE USED WITHOUT WRITTEN PERMISSION									
DIMENSION UNITS		SCALE		CURRENT REV DESC:				<b>molex</b>	
IN/MM		2:1							
GENERAL TOLERANCES (UNLESS SPECIFIED)				EC NO: 624787		2019/05/16		.093/(2.36) HOUSINGS, PLUG AND RECEPTACLE, 3 CKT, .248/(6.30) CTRS	
4 PLACES ±		±		DRWN: RPRABHUM		2019/11/11			
3 PLACES ±		± 0.005		CHK'D: GGA		2019/11/11		PRODUCT CUSTOMER DRAWING	
2 PLACES ±		± 0.13 ± 0.01		APPR: GGA		2019/11/11			
1 PLACE ±		± 0.25 ±		INITIAL REVISION:				DOCUMENT NUMBER	
0 PLACES ±		±		DRWN: GEP		1988/03/07			
ANGULAR TOL ±		± 1.0 °		APPR: FSMITH		2014/06/10		SD-1991-3X	
DRAFT WHERE APPLICABLE MUST REMAIN WITHIN DIMENSIONS				THIRD ANGLE PROJECTION		DRAWING		SERIES	
				C-SIZE		1991		MATERIAL NUMBER	
								CUSTOMER	
								GENERAL MARKET	
								SHEET NUMBER	
								2 OF 3	

PLUG		
PART NO.	ENG. NO.	PKG. INFORMATION
19-09-2031	1991-3P	PK-1991-001
19-09-7031	1991-3PBK	PK-1991-001
19-09-7032	1991-3P IBK	PK-1991-001
19-09-2032	1991-3P I	PK-1991-002
19-09-7034	1991-3P IOR	PK-1991-001

RECEPTACLE		
PART NO.	ENG. NO.	PKG. INFORMATION
19-09-6031	1991-3RBK	PK-1991-001
19-09-6032	1991-3R IBK	PK-1991-001

**LEGEND:**

1991-3\*\*\*

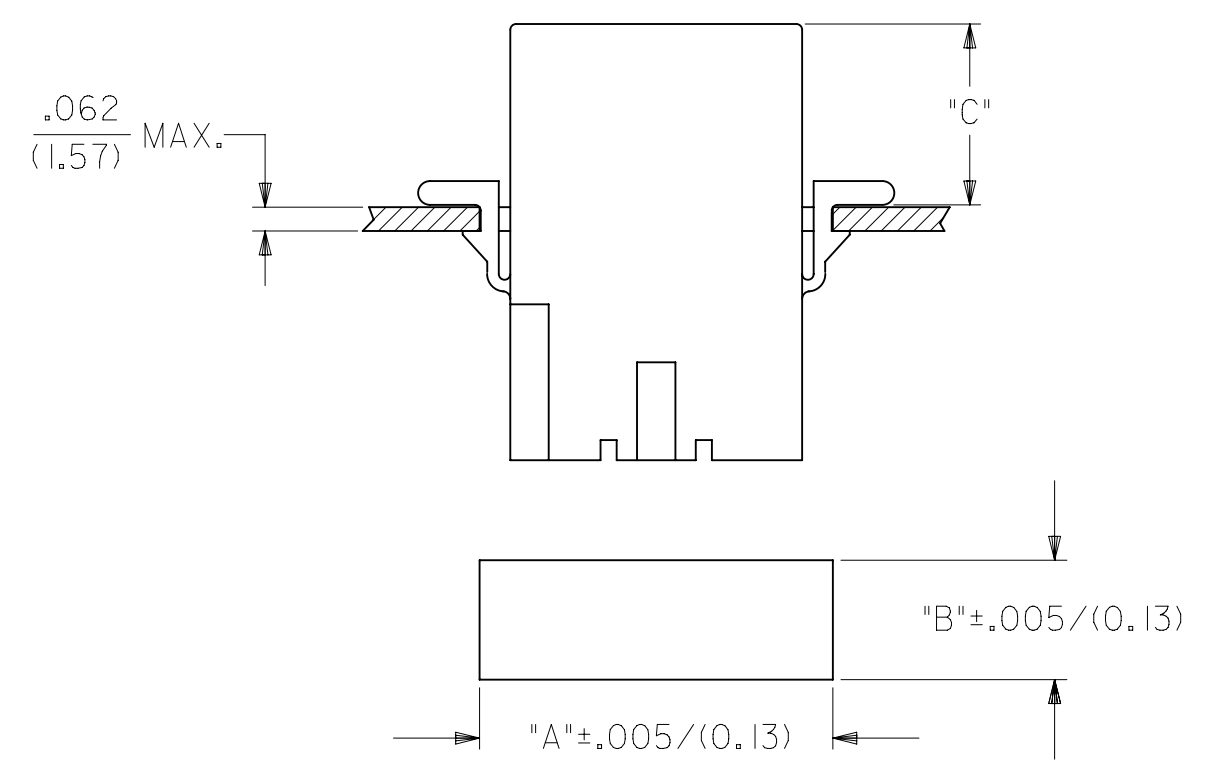
CIRCUIT SIZE

P = PLUG  
R = RECEPTACLE

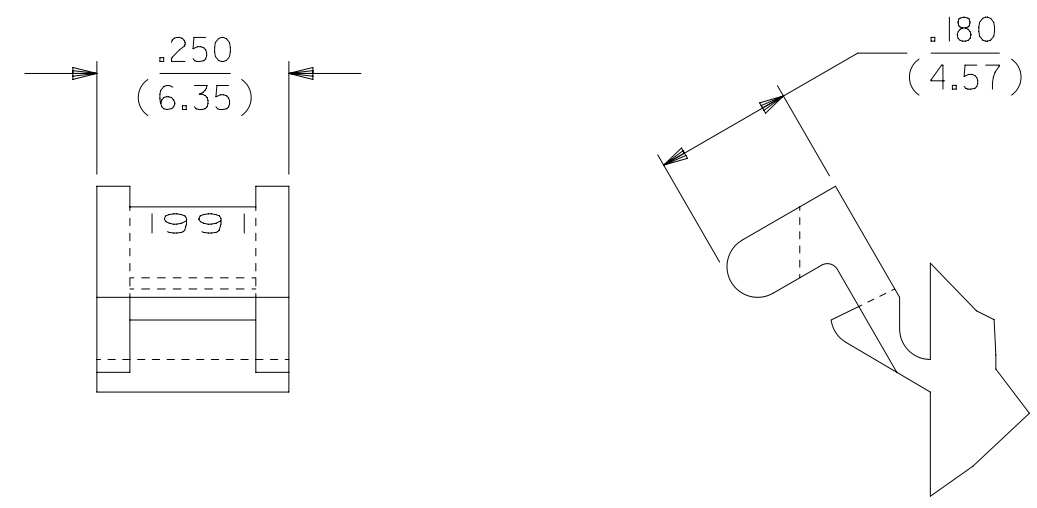
BLANK = PREBENT EARS  
PER DETAIL I  
I = WITHOUT EARS

COLOR: BLANK=NATURAL COLOR

AM=AMBER BK=BLACK BU=BLUE  
BN=BROWN GY=GRAY GN=GREEN  
OR=ORANGE RD=RED YW=YELLOW



HOUSING	DIM. "A"	DIM. "B"	DIM. "C" STD. EAR	DIM. "C" PREBENT
PLUG	1.022/(25.96)	.365/(9.27)	.48/(12.2)	.52/(13.2)
RECEPTACLE	.920/(23.37)	.311/(7.90)	.47/(11.9)	.51/(12.9)



**DETAIL I**  
PREBENT MOUNTING EAR  
(SCALE 4:1)

- NOTES:**
1. MATERIAL: NYLON TYPE 6/6, 94V-2.
  2. FINISH: NOT APPLICABLE
  3. PRODUCT SPECIFICATION: PS-02-09
  4. PACKAGING SPECIFICATION: SEE CHART
  5. ACCEPTS MOLEX .093/(2.36) SERIES TERMINALS.
  6. PARTS CONFORM TO CLASS B REQUIREMENTS OF COSMETIC SPECIFICATION PS-45499-002.

THIS DRAWING CONTAINS INFORMATION THAT IS PROPRIETARY TO MOLEX ELECTRONIC TECHNOLOGIES, LLC AND SHOULD NOT BE USED WITHOUT WRITTEN PERMISSION									
DIMENSION UNITS <b>IN/MM</b>		SCALE <b>2:1</b>		CURRENT REV DESC:				<b>molex</b>	
GENERAL TOLERANCES (UNLESS SPECIFIED)				EC NO: 624787					
4 PLACES ±		±		DRWN: RPRABHUM		2019/05/16		.093/(2.36) HOUSINGS, PLUG AND RECEPTACLE, 3 CKT, .248/(6.30) CTRS	
3 PLACES ±		± 0.005		CHK'D: GGA		2019/11/11			
2 PLACES ±		± 0.13 ± 0.01		APPR: GGA		2019/11/11		PRODUCT CUSTOMER DRAWING	
1 PLACE ±		±		INITIAL REVISION:				DOCUMENT NUMBER	
0 PLACES ±		±		DRWN: GEP		1988/03/07		SD-1991-3X	
ANGULAR TOL ± 1.0 °				APPR: FSMITH		2014/06/10		DOC TYPE DOC PART REVISION	
DRAFT WHERE APPLICABLE MUST REMAIN WITHIN DIMENSIONS		THIRD ANGLE PROJECTION		DRAWING		SERIES		MATERIAL NUMBER CUSTOMER SHEET NUMBER	
		C-SIZE		1991		SEE CHART		GENERAL MARKET 3 OF 3	