

Amber PLCC4 Surface Mount LED

OVSAABC2R8

- High intensity with low power consumption
- White PLCC4 packaged in 8 mm tape on 7" diameter reel
- Compatible with automatic placement equipment
- Dimensions: 3.5 x 2.8 x 1.95 mm
- 120° viewing angle

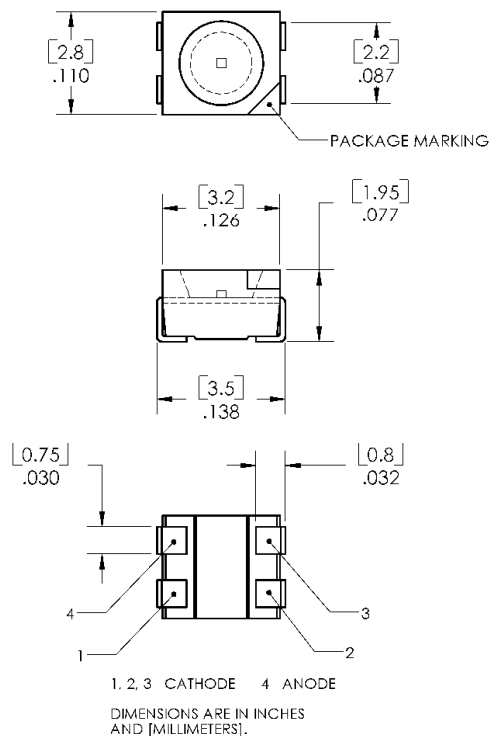


The **OVSAABC2R8** is designed for wide angle, uniform light output. Its internal reflector and colorless clear lens optimize luminous intensity and make it ideal for backlighting applications and for coupling with light guides.

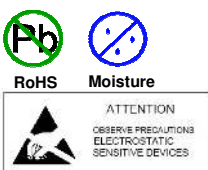
Applications

- Traffic lights
- Signal and symbol luminaire
- Mono-color indicators
- Backlighting (LCD, switches, displays, illuminated advertising)
- Interior automotive lighting (instrumentation clusters)
- Safety marker lights (steps, exit ways)

| Part Number | Material | Emitted Color | Intensity Typ. mcd | Lens Color |
|-------------|----------|---------------|--------------------|-------------|
| OVSAABC2R8 | AllnGaP | Amber | 700 | Water Clear |



DO NOT LOOK DIRECTLY AT LED WITH UNSHIELDED EYES OR DAMAGE TO RETINA MAY OCCUR.



OPTEK reserves the right to make changes at any time in order to improve design and to supply the best product possible.

Amber PLCC4 Surface Mount LED

OVSAABC2R8



Absolute Maximum Ratings

$T_A = 25^\circ\text{C}$ unless otherwise noted

| | |
|--|--------------|
| Storage Temperature Range | -40 ~ +100°C |
| Operating Temperature Range | -40 ~ +100°C |
| Junction Temperature | 110°C |
| Junction/Ambient ¹ | 300°C/W |
| Junction/Solder Point | 150°C/W |
| Reverse Voltage | 5 V |
| Continuous Forward Current | 70 mA |
| Peak Forward Current (10% Duty Cycle, PW ≤ 100 μsec) | 200 mA |
| Power Dissipation | 225 mW |

Note:

1. R_{th} test condition: Mounted on PC board FR 4 (pad size ≥ 16 mm²)

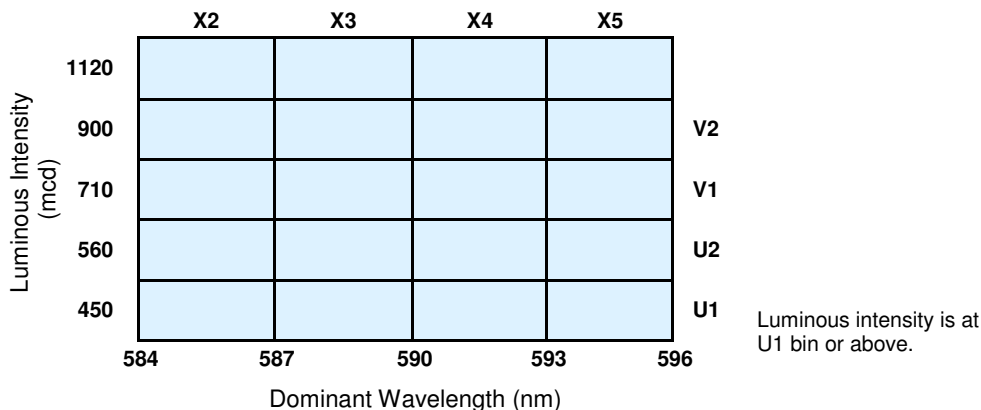
Electrical Characteristics

$T_A = 25^\circ\text{C}$ unless otherwise noted

| SYMBOL | PARAMETER | MIN | TYP | MAX | UNITS | CONDITIONS |
|-----------------|---------------------|------|------|------|-------|----------------------|
| I_V | Luminous Intensity | 450 | 700 | ---- | mcd | $I_F = 50\text{ mA}$ |
| V_F | Forward Voltage | ---- | 2.6 | 3.2 | V | $I_F = 50\text{ mA}$ |
| I_R | Reverse Current | ---- | ---- | 10 | μA | $V_R = 5\text{ V}$ |
| λ_D | Dominant Wavelength | 584 | 591 | 596 | nm | $I_F = 50\text{ mA}$ |
| $2\Theta_{1/2}$ | 50% Power Angle | ---- | 120 | ---- | deg | $I_F = 50\text{ mA}$ |

Standard Bins ($I_F = 50\text{ mA}$)

Lamps are sorted to luminous intensity (I_V) and dominant wavelength (λ_D) bins shown. Orders for OVSAABC2R8 may be filled with any or all bins contained as below.

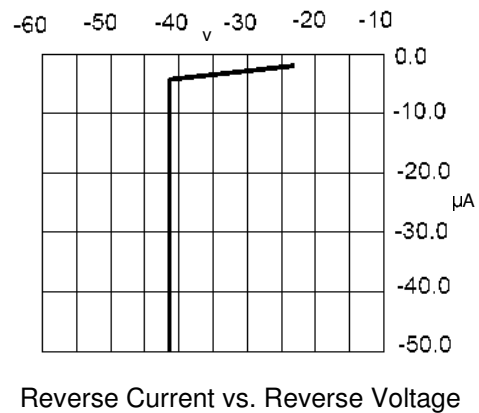
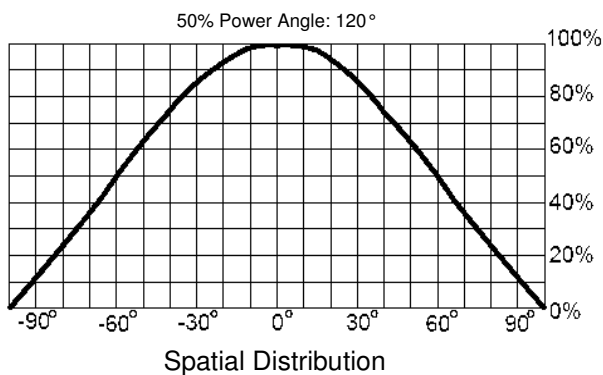
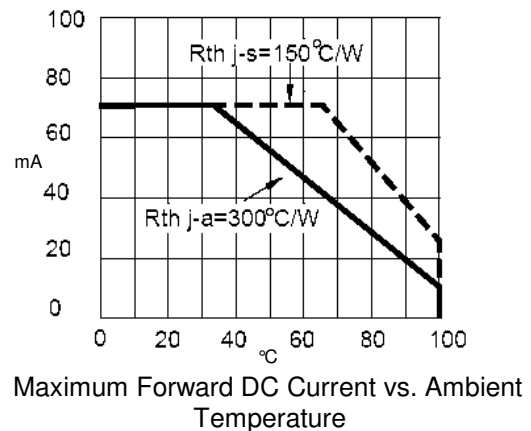
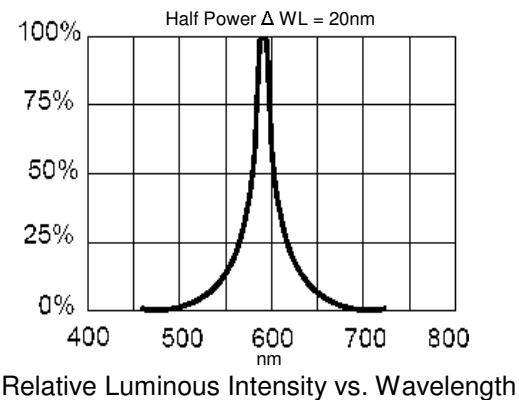
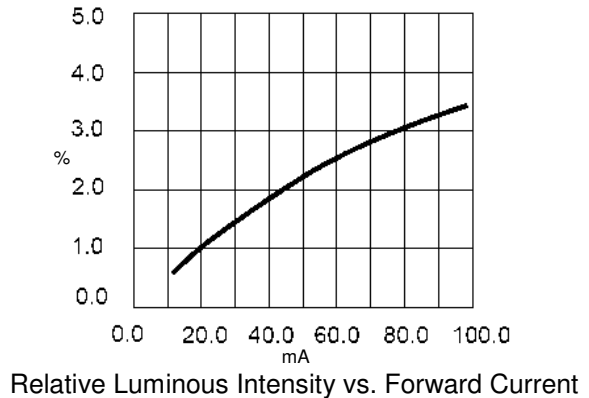
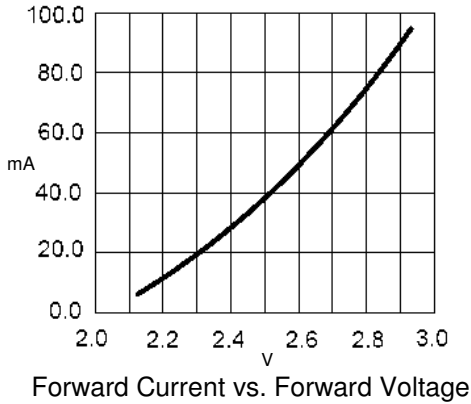


Important Notes:

1. All ranks will be included per delivery, rank ratio will be based on the chip distribution.
2. To designate luminous intensity ranks, please contact OPTEK.

OPTEK reserves the right to make changes at any time in order to improve design and to supply the best product possible.

Typical Electro-Optical Characteristics Curves

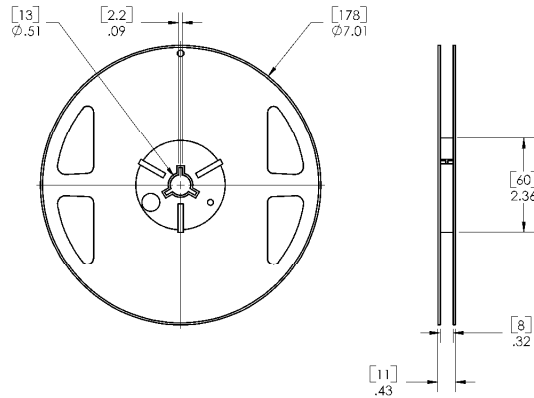


OPTEK reserves the right to make changes at any time in order to improve design and to supply the best product possible.

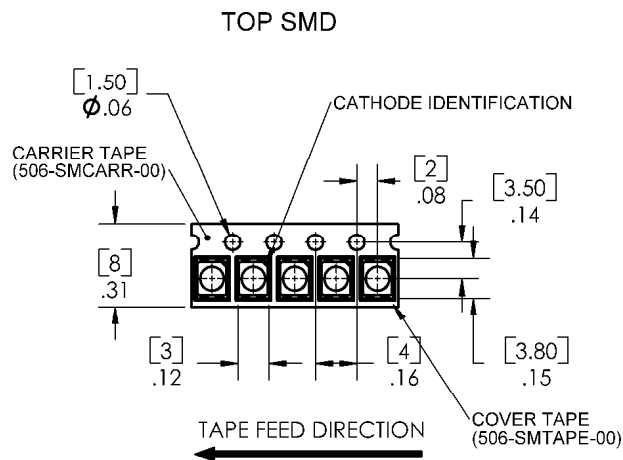
Amber PLCC4 Surface Mount LED

OVSAABC2R8

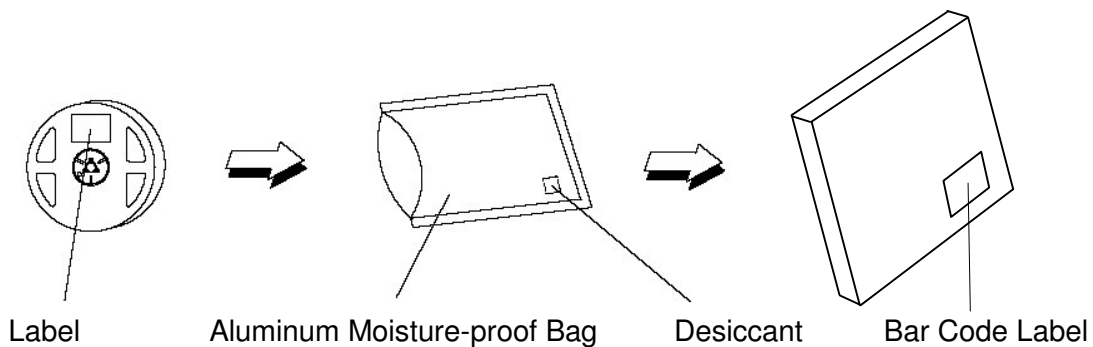
Reel Dimensions: 7-inch reel



Carrier Tape Dimensions: Loaded Quantity 2000 pieces per reel



Moisture Resistant Packaging



OPTEK reserves the right to make changes at any time in order to improve design and to supply the best product possible.