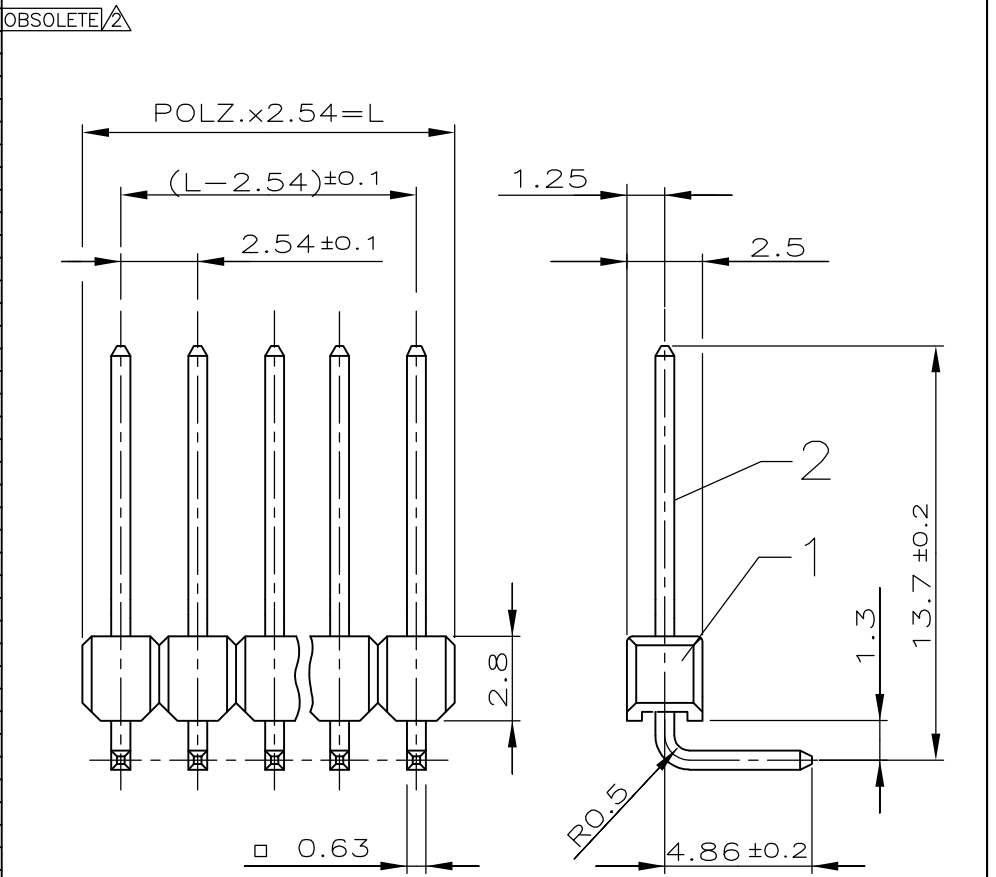


DIESES ZEICHNUNGSDOKUMENT WIRD DURCH AMP INCORPORATED. AENDERUNGEN, DIE DEM TECHNISCHEN FORTSCHRITT DIENEN, SIND VORBEHALTEN. DEN JEWEILS LETZTGUELTIGEN AENDERUNGSSTAND ERFAHREN SIE AUF ANFRAGE.

THIS DRAWING IS A CONTROLLED DOCUMENT FOR AMP INCORPORATED. IT IS SUBJECT TO CHANGE AND THE CONTROLLING ENGINEERING ORGANIZATION SHOULD BE CONTACTED FOR THE LATEST REVISION.

MATED WITH: PASSEND ZU:	LOC AI	DIST -	REVISIONS AENDERUNGEN DESCRIPTION BESCHREIBUNG				DATE	DWN	APVD
-	-	-	P	LTR					
PROJEKT NR.: -			A1	tolerance changed			20-NOV-01	Mah.	Zitz
POS. L -0.2 -0.5			A2	tolerance changed			26-NOV-01	Mah.	Zitz
PART-NO			A3	ECO-09-024606			28-OCT-09	KK	AEG

2	5.08	-1	241 891-2	
3	7.62	1	241 891-3	
4	10.16		-4	
5	12.70		-5	
6	15.24		-6	
7	17.78		-7	
8	20.32		-8	
9	22.86		-9	
10	25.40	1-	-0	
11	27.94	1-	-1	
12	30.48	1-	-2	
13	33.02	1-	-3	
14	35.56	1-	-4	
15	38.10	1-	-5	
16	40.64	1-	-6	
17	43.18	1-	-7	
18	45.72	1-	-8	
19	48.26	1-	-9	
20	50.80	2-	-0	
21	53.34	2-	-1	
22	55.88	2-	-2	
23	58.42	2-	-3	
24	60.96	2-	-4	
25	63.50	2-	-5	
26	66.04	2-	-6	
27	68.58	2-	-7	
28	71.12	2-	-8	
29	73.66	2-	-9	
30	76.20	3-	-0	
31	78.74	3-	-1	
32	81.28	3-	-2	
33	83.82	3-	-3	
34	86.36	3-	-4	
35	88.90	3-	-5	
36	91.44	3-	-6	
37	93.98	3-	-7	
38	96.52	3-	-8	
39	99.06	3-	-9	
40	101.60	4-	-0	
41	104.14	4-	-1	
42	106.68	4-	-2	
43	109.22	4-	-3	
44	111.76	4-	-4	
45	114.30	4-	-5	
46	116.84	4-	-6	
47	119.38	4-	-7	
48	121.92	4-	-8	
49	124.46	4-	-9	
50	127.00	5-	-0	



THIS DRAWING IS UNPUBLISHED. VERTRAULICHE UNVEROEFFENTLICHTE ZEICHNUNG. ALL RIGHTS RESERVED. ALLE RECHTE VORBEHALTEN. BY AMP INCORPORATED. COPYRIGHT 19-

- ① MIN. 2µm Sn OVER 1.27 µm Ni  
min. 2µm Sn über 1.27 µm Ni
- ② OBSOLETE PARTS: OBSOLETE CIS STREAMLINING PER D.RENAUD/D.SINISI

-	Cu SN	①	CONTACT PIN/Stift	2
-	PBT GV	GREEN/grün	PIN HOUSING/Gehäuse	1
CUSTOMER PART NO	AMP PART NO	REV.	PCS.	MATERIAL
				SURFACE COLOR
				DESCRIPTION

DIMENSIONS: DIMENSIONEN: mm	DWN B.Mahnke 07-MAY-01	MATERIAL -	FINISH OBERFLAECHE/FARBE -
TOLERANCES UNLESS OTHERWISE SPECIFIED: ALLGEMEINTOLERANZEN	CHK A.Zitz 07-MAY-01	tyco Electronics AMP GmbH D - 64625 Bensheim	
ISO 8015 ISO 2768 - mH -E DIN 16901 - 140	APVD -		
PLC ±- 1 PLC ±0.2 2 PLC ±- 3 PLC ±-	PRODUCT SPEC PRODUKTSPEZ. -	NAME AMP MODU II PIN HEADER 90DEG,SINGLE ROW AMP MODU II Stiftleiste 90grd, einrhg.	
ANGLES/WINKEL ±-	APPLICATION SPEC VERARBEITUNGSSPEZ. -	SIZE A4	CAGE CODE 00779
	WEIGHT GEWICHT -	DRAWING NO ZEICHNUNGS-NR. C- 1241891	RESTRICTED TO NUR FUER -
CUSTOMER DRAWING /KUNDENZEICHNUNG		MASSSTAB 4:1	BLATT 1 OF 1 VON 1
		REV A3	