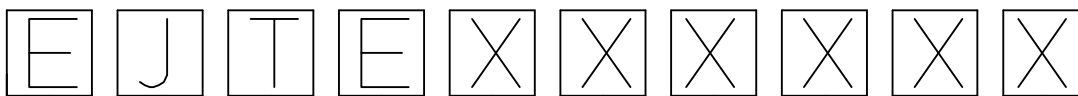


PN KEY



JUNIOR CONNECTORS

CONNECTOR TYPE:

E - ANGLED, 2 WIRES, SINGLY ENDED

CABLE TYPE, SEE TABLE 1

HEAD COLOR:

N=BLACK; A=CSA-UL BLACK;

CABLE LENGHT IN CENTIMETRES:

EXAMPLE: 050=50 CM, 300=300 CM, 10K=1 M.

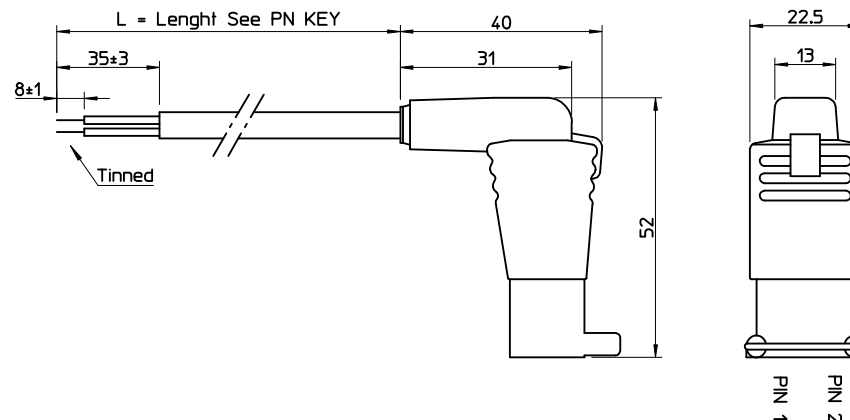
Over	Up to and including	Tolerance
0	1000	±20
1000	3000	±30
3000	5000	±40
5000	10000	±50
10000	15000	±100
15000	20000	±150
20000		±L/100

TABLE 1 - CABLES TYPE

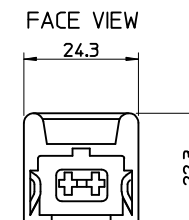
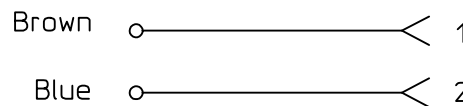
Code	Cable types	Features	Cable type Cross section
N	PVC	Application general purpose cable which has good resistance to water, but usually poor oil resistance.	N2=0.5 mm2 N3=0.75 mm2 N4=1 mm2
I	CEI	Approved to IEC 332-2A, flame retardant and self extinguishing. Limited resistant to mineral oils.	I2=0.5 mm2 I3=0.75 mm2 I4=1 mm2
P	PUR	Offer good resistance to oil and chemicals. Can swell when constantly immersed in water.	P2=0.5 mm2 P3=0.75 mm2 P4=1 mm2
A	PVC CSA-UL	Approved to CSA-UL 2661, application general purpose cable which has good resistance to water, but usually poor oil resistance.	A2=20 AWG A3=18 AWG
B	PUR CSA-UL	Approved to CSA-UL 20668, very good resistance to oil and chemicals.	B2=20 AWG B3=18 AWG

TABLE 2 - MOLEX PN LIST

Molex PN	Engineering No.	L [mm]
1210460020	EJTEP3N300	3000
1210460021	EJTEP3N100	1000
1210460023	EJTEP3N500	5000
1210460037	EJTEP3N10K	10000



ELECTRICAL DIAGRAM



NOTES:
1. Dimensions without tolerances are referential

ORIGINAL RELEASE EC NO: IPG2016-0461 DRWN: JMARSZALEK 2014/06/02 CHKD: APPR: MIWASIECZKO 2015/09/28	QUALITY SYMBOLS ▽=0 ◻=0	GENERAL TOLERANCES (UNLESS SPECIFIED) mm INCH 4 PLACES ± --- ± --- 3 PLACES ± --- ± --- 2 PLACES ± --- ± --- 1 PLACE ± --- ± --- 0 PLACE ± --- ± --- ANGULAR ± --- °	DIMENSION STYLE MM ONLY DRAWN BY: JMARSZALEK DATE: 2014/06/02 CHECKED BY: _____ DATE: _____ APPROVED BY: MIWASIECZKO DATE: 2015/09/28 MATERIAL NO.	SCALE: - DESIGN UNITS: METRIC THIRD ANGLE PROJECTION	TITLE: EJTEXXXXXX JUNIOR TIMER 2P FE RA molex DOCUMENT NO.: SD-121046-003 SHEET NO.: 1 OF 1	
	DRAFT WHERE APPLICABLE MUST REMAIN WITHIN DIMENSIONS	SEE TABLE 2	THIS DRAWING CONTAINS INFORMATION THAT IS PROPRIETARY TO MOLEX INCORPORATED AND SHOULD NOT BE USED WITHOUT WRITTEN PERMISSION			
	REV: A					