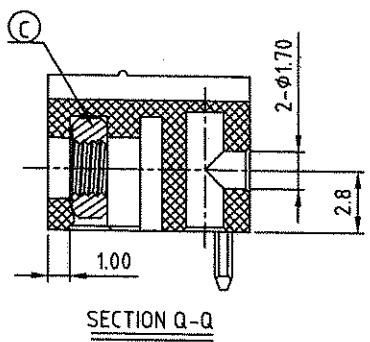
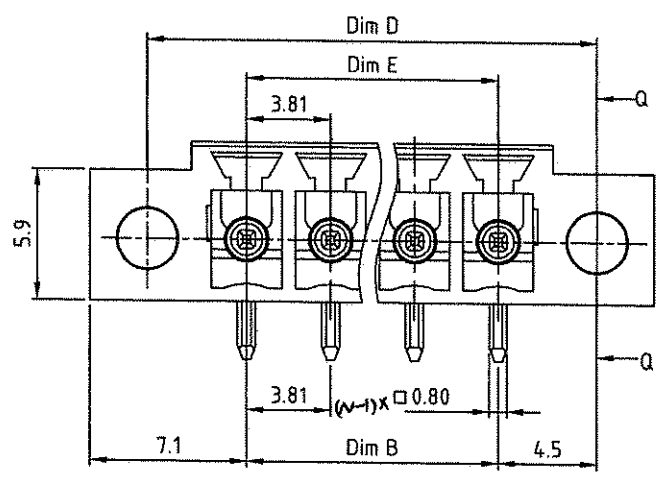


SIGN	DATE	DESCRIPTION	APPROVER
△			
THIS IS CAD DRAWING, DO NOT REVISE MANUALLY!!!			

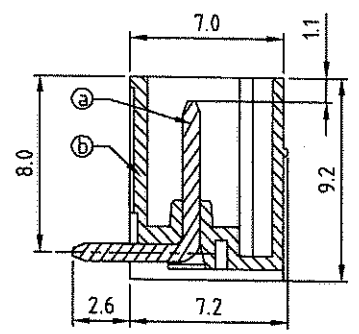
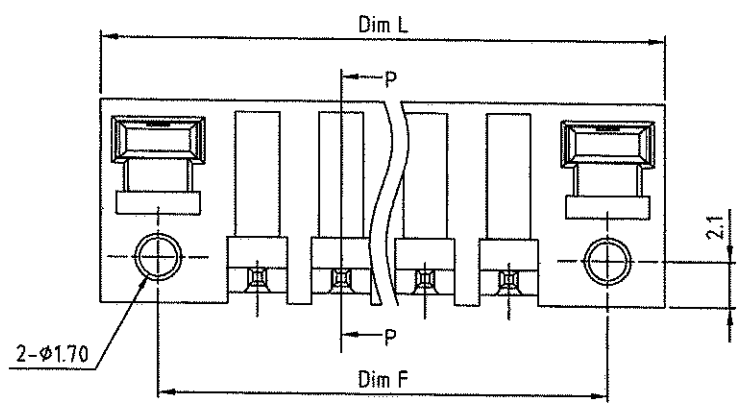


Material:

- Item ① Male contact pin: Copper , Bright Tin plated over Nickel plated
- Item ② Terminalhousing: LCP (UL94V-0)
- Item ③ With flange nut: STEEL ,M2.5,Zinc plated

Electrical: cULus

- Voltage rating: 300V
- Current rating: 10A
- Withstanding Voltage: 1.6 KV
- Operating temperature: -45°C to +130°C
- Reflow soldering temperature: 260°C/10 Sec max
- Safety Approval:



OQ xx 3 H x 1 xxxx G

No. OF POLES

- 02: 2 POLES
- 03: 3 POLES
- ...
- 16: 16 POLES

Color

- 0 Black (RAL9005)

G RoHS compliant (lead<4%) In copper Alloy

0000: "@" Logo (Standard)

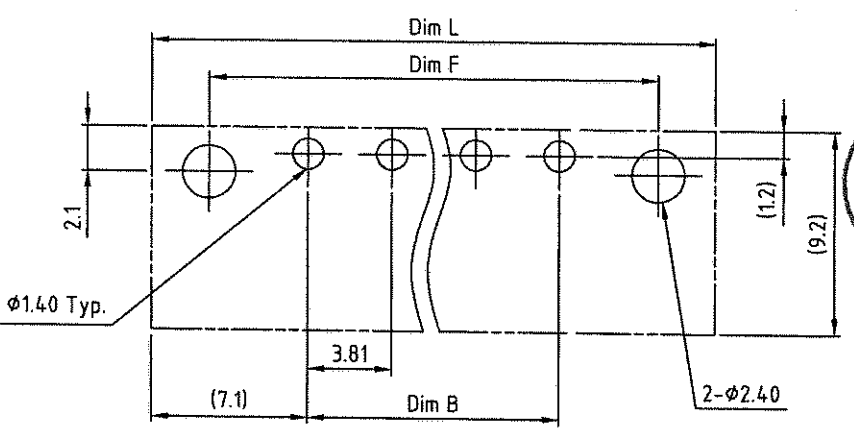
000A: "ANYTEK" Mark

Any special item by customer request, please contact sales department.

N=Number of poles

Dim L	(N-1)×3.81+14.2
Dim B	(N-1)×3.81
Dim D	(N-1)×3.81+9.0
Dim E	(N-1)×3.81
Dim F	(N-1)×3.81+9.0

Poles	Dim B & Dim E	Dim L & Dim D & Dim F
2p	±0.10	±0.15
3p-6p	±0.15	±0.15
7p-12p	±0.20	±0.20
13p-16p	±0.30	±0.30



Amphenol ANYTEK

CUSTOMER COPY

ALL RIGHTS RESERVED. REPRODUCTION OR ISSUE TO THIRD PARTIES IN ANY FORM WHATSOEVER IS NOT PERMITTED WITHOUT WRITTEN AUTHORITY FROM THE PROPRIETOR. PROPERTY OF ANYTEK TECHNOLOGY CO., LTD

TITLE		OQ 3.81mm 90° Series 2P-16P With flange THR		
PART NO.		OQxx3Hx1xxxxG		DWG NO. 80G0E09
APPROVED	CHECKED	DESIGNED	DRAWN	CUST NO.
		CHENMING 2016.12.14	CHENMING 2016.12.14	
		SHEET: 01/01		Tolerance
		UNIT: mm		X. ±0.50
		SCALE: NONE		X.X ±0.30
		REV.: B		X.XX ±0.10
				X° ±1°