

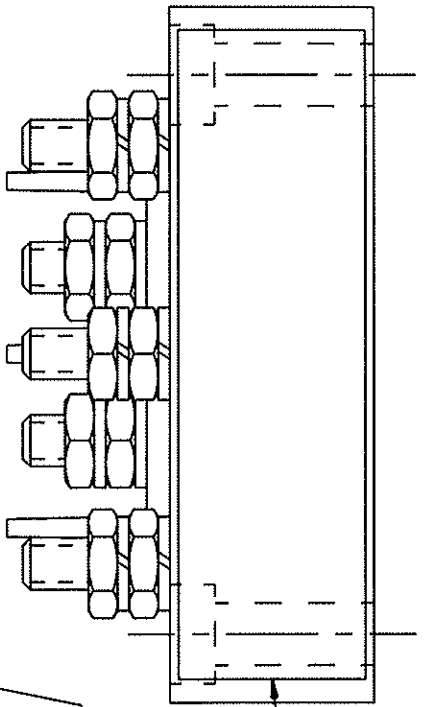
FAA/PMA

REV.	DESCRIPTION	DATE	APPROVED
H	40471 REDRAWN, MAX* ADDED TO .59	99/09/27	RS
J	41485 MAX* ADDED TO .76 & 1.03	00/02/01	RS

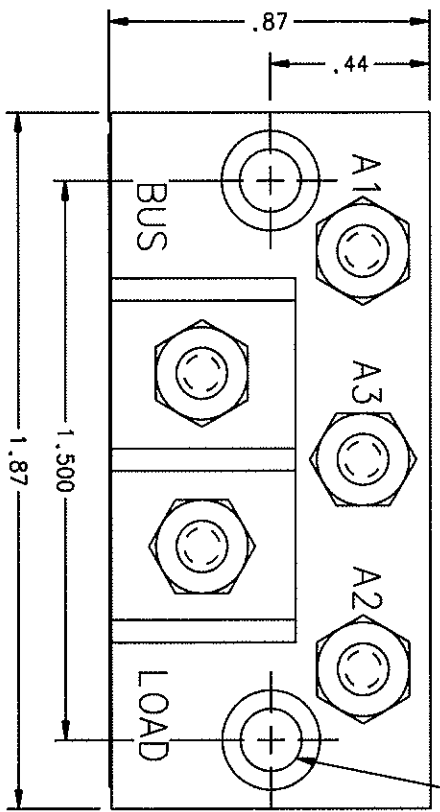
0-50E

RELEASED

REV. J

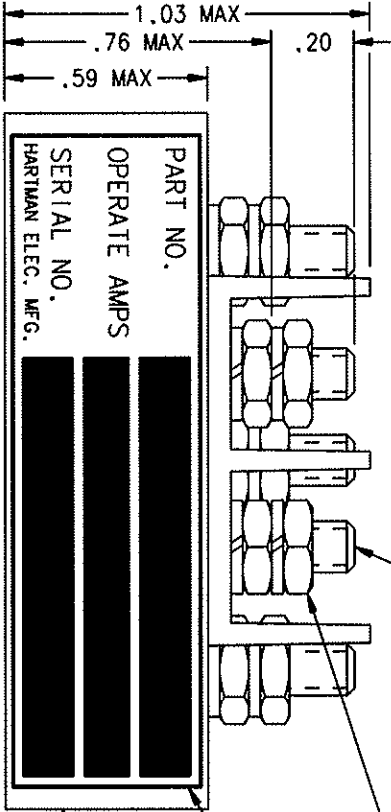
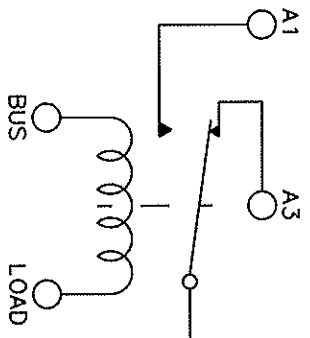


.166 DIA HOLE, C-BORE
.265 DIA X .12 DEEP
2 MTG HOLES



OPERATE CHARACTERISTICS

CONTINUOUS PICKUP DROPOUT 6.25 AMPS DC MAX
3.5 AMPS DC MAX
1.4 AMP MIN.
CONTACT RATING .25 AMP 28 VDC
LAMP LOAD .080 AMP 28 VDC
VIBRATION 10 G'S TO 500 HZ
ALTITUDE 60,000 FT. MAX
TEMP. -55°C TO +71°C
MAX. WEIGHT 1.25 OZ.



6-32 UNC-2A
5 REQ'D.

PART NO.
OPERATE AMPS
SERIAL NO.
HARTMAN ELEC. MFG.

QTY	PART OR IDENTIFYING NO	DESCRIPTION	MATERIAL
6	39529-024	OVERLAY	
5	58400-173	PLATE - FAA/PMA	
4	51806-014	WASHER - LOCK NO. 6 SPLIT	BRONZE
3	50406-034	NUT - 6-32 X 1/4 X 5/64 HEX	BRASS
2	35893-020	RELAY ASSEMBLY - PRIMARY	
1	34246-001	PLATE - NAME	

UNLESS OTHERWISE SPECIFIED DIMENSIONS ARE IN INCHES
TOLERANCES IN
2 PL. DEC. 13 PL. DEC. ANGLES
.06 ±.010 ±.1

DR BY RLS 00/02/25
CHK BY KRS 00/02/25
ENGR R&D 00/03/03
MFG W 00/03/03

HARTMAN ELECTRICAL MANUFACTURING
MANFIELD, OHIO
RELAY - CURRENT INDICATOR
093

SIZE CODE IDENT DWG NO.
C 74063 Q-50E
SCALE NONE SHEET