

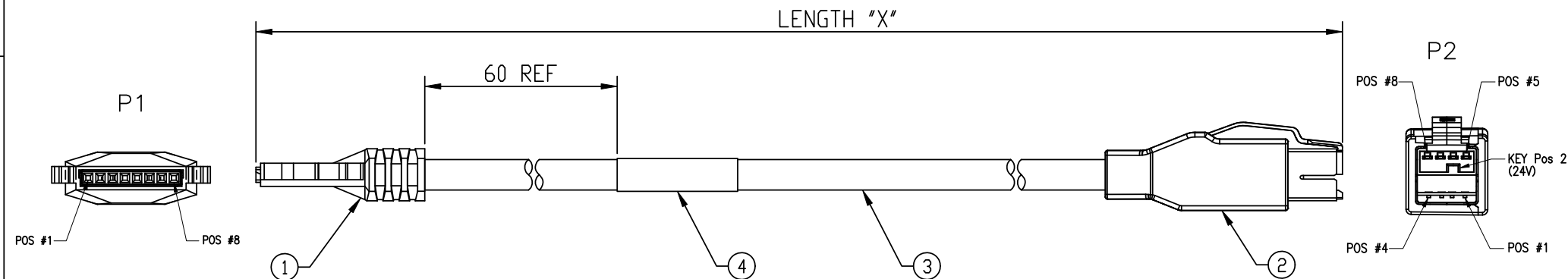
1

2

3

4

FCI PART NO.	POWER TYPE	LENGTH "X"
10083511-Z0050YYLF	24V	500+25/-0
10083511-Z0100YYLF	24V	1000±15
10083511-Z0300YYLF	24V	3000±25
10083511-Z0500YYLF	24V	5000±25



PIN ASSIGNMENT

P1	SIGNAL NAME	WIRE COLOR	WIRE AWG	P2
6	VBUS (+5V)	RED	20	1
5	DATA -	WHITE	28	2
4	DATA +	GREEN	28	3
3	GND	BLACK	20	4
1	24V RETURN	BLUE	20	5
2	+24V	BROWN	20	6
7	+24V	ORANGE	20	7
8	24V RETURN	YELLOW	20	8
SHELL	FRAME GND	BRAID		SHELL

Mark with
10075076001
REV. proi_revision
in area indicated
by X....

rev	ecn no	dr	date
A	N08-0120	ST	6/18/2008

TOLERANCES UNLESS OTHERWISE
SPECIFIED

LINEAR	ANGULAR	0°	±2°
-	-	-	-
-	-	-	-
-	-	-	-
-	-	-	-

Material	Spec ref	spec_ref	surface	tolerance	projection	MM
Mat code	ISD 1302	ISO 406	ISO 1101	ISO 1101	MM	MM
Heattreat	ISD 1302	ISO 406	ISO 1101	ISO 1101	MM	MM
Plating/Finish	ISD 1302	ISO 406	ISO 1101	ISO 1101	MM	MM
Dr Sunny Tsai	11/7/2007	Product family	CABLE ASS'Y	size	A3	Scale
Eng Sunny Tsai	11/7/2007	Model Name		REL Level		
Chr Jackson Wang	11/7/2007	Model Revision				
Appr Jackson Wang	11/7/2007					
FCI	title	CABLE: USB+POWER(24V) TO 1X8 LATCH-N-LOK (ROHS)	dwg no	10083511	Rev.	A
Pro/E file	catalog no		CUSTOMER DWG	sheet 1 of 2		

REV F - 2006-04-17

2

3 PDM: Rev:A

STATUS Released

Printed: Jul 10, 2009

FCI CONFIDENTIAL



This document is the property of and embodies CONFIDENTIAL and PROPRIETARY information of FCI. No part of the information shown on this document may be used in any way or disclosed to others without the written consent of FCI. Copyright FCI.

FCI PART NO. SEE SHEET 1

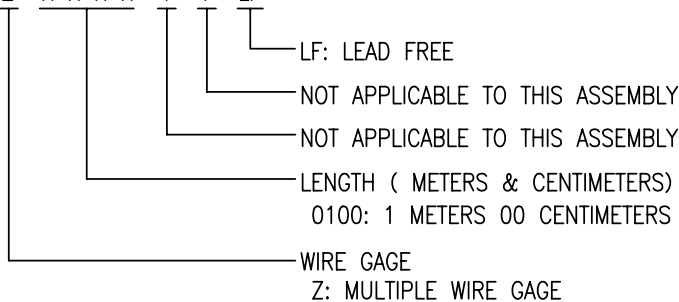
NOTES:

1. USB+POWER MATES WITH FCI PART NUMBER: 55917-6XXLF.
1x8 LATCH-N-LOK MATES WITH FCI PART NUMBER: 69913-XXXLF.

2. UNLESS OTHERWISE SPECIFIED ASSEMBLED LENGTH TOLERANCE:
=< 1 METER= ±15.0mm
> 1 METER TO 10 METER= ±2% OF L1 OR L2
> 10 METER= +0%/-4% OF L1 OR L2

3. PART NUMBER SCHEME FOR CABLE ASSEMBLY:

10083511 - Z X X X X Y Y LF



4. UNLESS OTHERWISE SPECIFIED LABEL POSITION SHALL BE APPROXIMATELY 60mm FROM REAR OF CONNECTOR.

5. UNLESS OTHERWISE SPECIFIED STANDARD LABEL SHALL BE BRADY LABEL P/N THT-10-427-30.

LABEL DETAILS:

Table with 2 columns: Label text and description. Rows include: FCI (Manufacturer code or name), 10083511-ZXXXXYYLF (FCI P/N), REV.A (Revision), WWYY (Date code WWYY format), MADE IN CHINA (Country origin).

6. ALL CABLE ASSEMBLIES SHALL BE TESTED 100% FOR CONTINUITY AS DEFINED IN WIRING LIST.

7. UNLESS OTHERWISE SPECIFIED ALL CABLE ASSEMBLIES SHALL BE 100% HI-POT TESTED: DC 300V/10ms

8. OTHER ELECTRICAL SPECIFICATIONS:

DIELECTRIC RESISTANCE: 50M Ohms MIN.
CONNECTION RESISTANCE: 0.8 Ohms MAX. (-Z0050YYLF, 0.5MR LENGTH)
1.2 Ohms MAX. (-Z0100YYLF, 1.0MR LENGTH)
1.5 Ohms MAX. (-Z0300YYLF, 3.0MR LENGTH)
1.8 Ohms MAX. (-Z0500YYLF, 5.0MR LENGTH)

9. THIS DIMENSION IS A FINISHED PRODUCT LENGTH.

10. LEAD FREE PRODUCTS MEET EUROPEAN UNION DIRECTIVES AND OTHER COUNTRY REGULATIONS AS DESCRIBED IN GS-22-008.

11. CONNECTOR ASSEMBLIES SHOWN ARE FOR REFERENCE ONLY AND MAY NOT SHOWN ALL PART DETAIL, REFERENCE CONNECTOR ASSEMBLY DRAWINGS FOR COMPLETE DETAILS.

12. PACKAGE: EACH CABLE ASSEMBLY IN CLEAR ZIP-LOCK BPLY BAG, THEN BULK PACKED IN A BOX.

13. MATERIAL:

Table with 4 columns: ITEM, Q'TY, UNIT, DESCRIPTION. Rows include: Adhesive label, USB+POWER cable, USB+POWER plug kit, and 1x8 latch-N-lok connector kit.

Table for marking and revision control. Includes fields for rev, ecn no, dr, date, and a section for tolerances unless otherwise specified.

Table for material and specification details. Includes fields for material, spec ref, mat code, heat treat, plating/finish, and drawing information.

FCI CONFIDENTIAL



This document is the property of and embodies CONFIDENTIAL and PROPRIETARY information of FCI. No part of the information shown on this document may be used in any way or disclosed to others without the written consent of FCI. Copyright FCI.