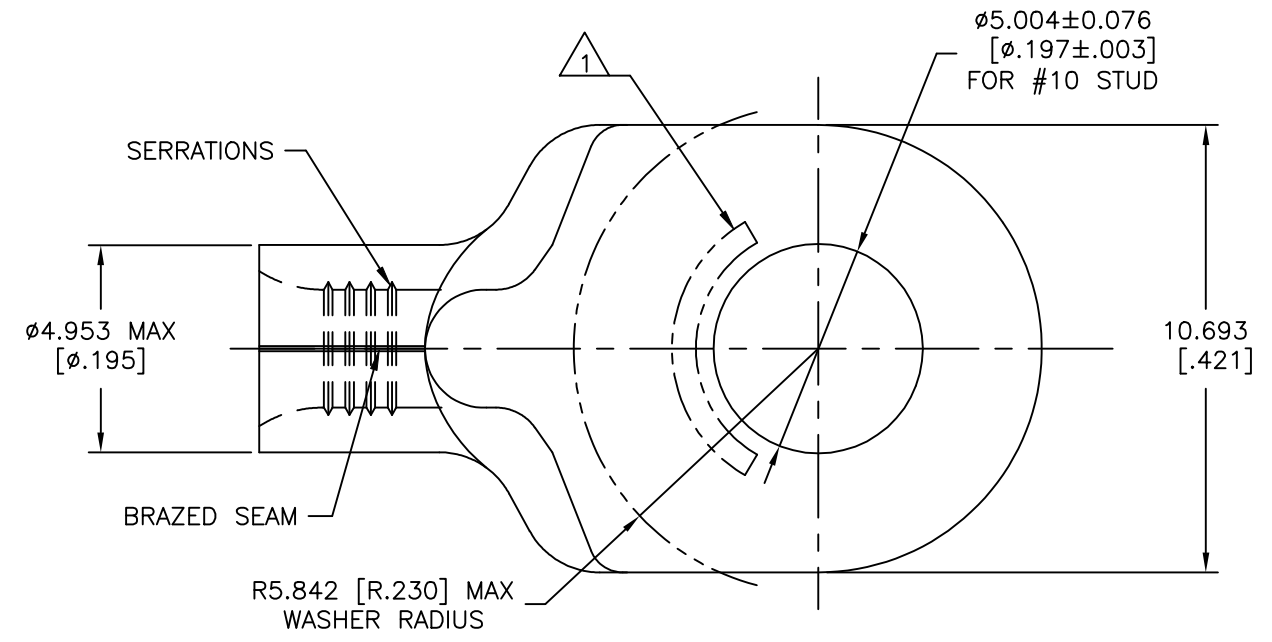
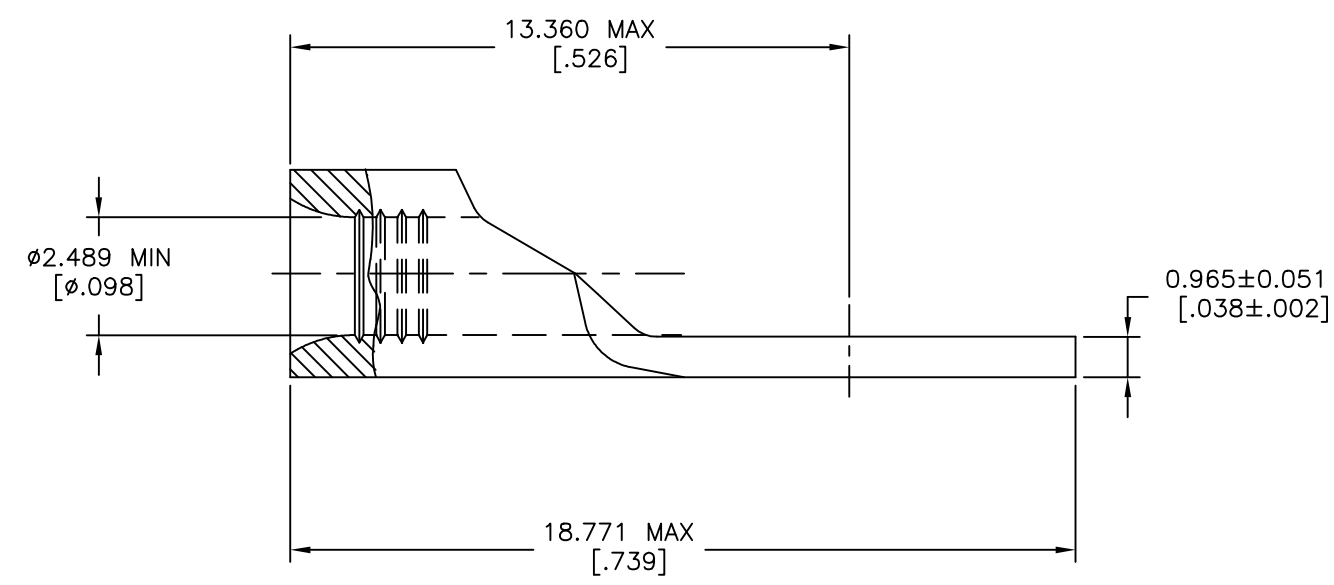


REVISIONS				
P	LTR	DESCRIPTION	DATE	APVD
B1		REVISED PER ECO-14-018513	10DEC2014	NK DR
B2		REVISED PER ECO-17-008806	21FEB2018	RS DR



AMP WIRE RANGE	E13288 Listed
14-12 AWG SOLID OR STRANDED	14-12 AWG STRANDED
LR7189 Certified	MILITARY P/N AND CLASS
14-12 AWG SOLID OR STRANDED	NOT APPLICABLE

STAMP AMP 14-12* APPROX AS SHOWN



AMP INCORPORATED CUSTOMER SERVICE SYSTEMS		MAX RECOMMENDED OPERATING TEMPERATURE: 170°C [338°F] MAX
FOR ADDITIONAL PRODUCT INFORMATION OR COPIES OF DRAWINGS AND TECHNICAL DOCUMENTS	PRODUCT INFORMATION CENTER 1-800-522-6752	VOLTAGE RATING: NOT APPLICABLE
FOR APPLICATION TOOLING INFORMATION	TOOLING ASSISTANCE CENTER 1-800-722-1111	WIRE CROSS SECTIONAL AREA RANGE: 1.65-4.17mm ² [3,260-8,230] CIR MILS SOLID OR STRANDED
FOR ORDER ENTRY	1-800-526-5142	THIS DRAWING IS A CONTROLLED DOCUMENT FOR TE INCORPORATED. IT IS SUBJECT TO CHANGE AND THE CONTROLLING ENGINEERING ORGANIZATION SHOULD BE CONTACTED FOR THE LATEST REVISION.

THIS DRAWING IS A CONTROLLED DOCUMENT.		DWN TA BRINKMAN 3-17-93	500	LOOSE PIECE	34484
DIMENSIONS: mm [INCHES]		CHK DA PATTERSON 3-17-93	QUANTITY	PACKAGING TYPE	PART NUMBER
TOLERANCES UNLESS OTHERWISE SPECIFIED: 0 PLC ± - 1 PLC ± - 2 PLC ± - 3 PLC ± 0.127[.005] 4 PLC ± - ANGLES ± -		APVD JL MECKLEY 3-17-93	TE Connectivity Ltd. TM		
MATERIAL COPPER PER ASTM B-152 ANNEALED		NAME UL 486 A-B	TERMINAL, RING TONGUE, SOLISTRAND 14-12 AWG		
FINISH TIN PLATE 0.00254[.000100] MIN THK PER ASTM B545		APPLICATION SPEC -	SIZE A2	CAGE CODE 00779	DRAWING NO C=34484
CUSTOMER DRAWING		WEIGHT -	RESTRICTED TO -	SCALE 8:1	SHEET 1 of 1 REV B2