

2-967402-1 ✓ ACTIVE

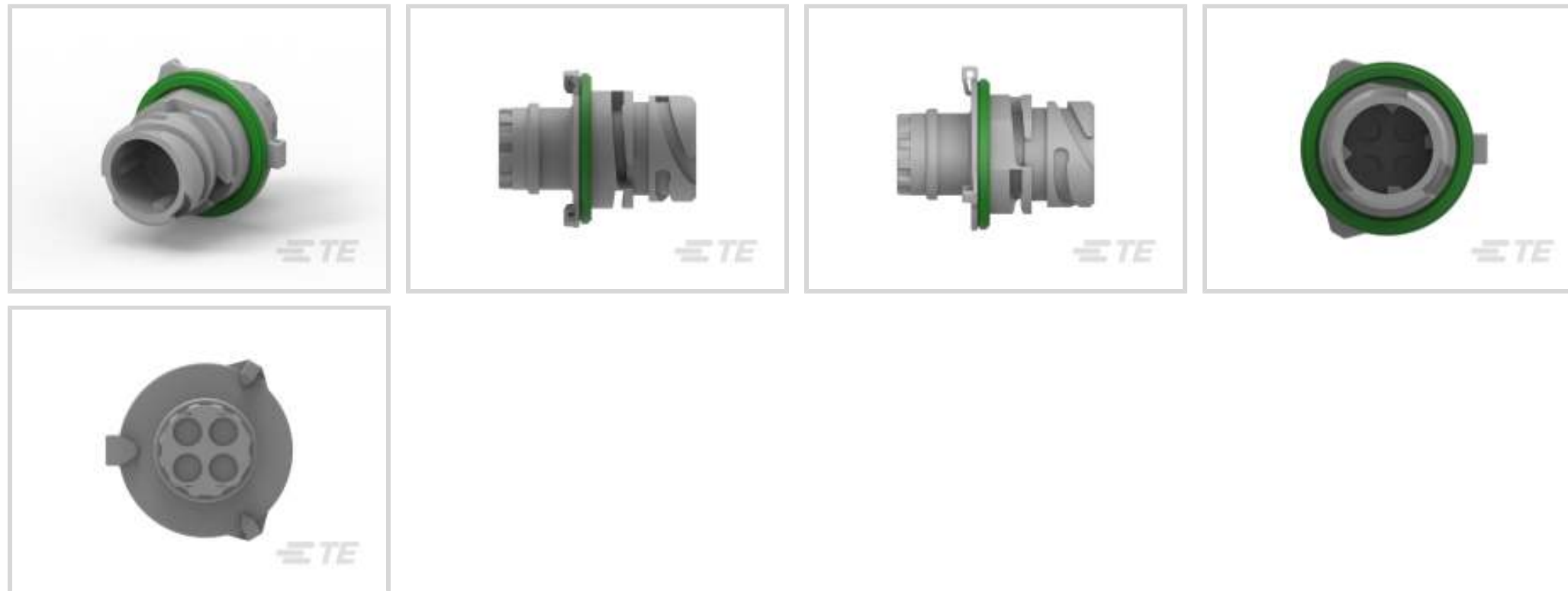
TE Internal #: 2-967402-1

Housing for Male Terminals, Wire-to-Wire, 4 Position, .276 in [7 mm] Centerline, Sealable, Gray, Panel Mount, -40 – 248 °F [-40 – 120 °C], Key 2

[View on TE.com >](#)



Connectors > Automotive Connectors > Automotive Housings > Circular DIN Housings



Connector & Housing Type: **Housing for Male Terminals**

Mating Pin Diameter: **2.5 mm [.098 in]**

Connector System: **Wire-to-Wire**

Number of Positions: **4**

Centerline (Pitch): **7 mm [.276 in]**

[All Circular DIN Housings \(51\)](#)

Features

Product Type Features

Connector Shape	Circular
Connector & Housing Type	Housing for Male Terminals
Connector System	Wire-to-Wire
Sealable	Yes
Hybrid Connector	No
Primary Locking Feature	On the Terminal

Configuration Features

Number of Positions	4
---------------------	---

Electrical Characteristics

Nominal Voltage Architecture	12 V, 24 V, 42 V, 48 V
------------------------------	------------------------

Body Features

Cable Exit Angle	180°
Primary Product Color	Gray



Connector & Keying Code	2
-------------------------	---

Contact Features

Contact Size	2.5mm
Contact Type	Pin
Mating Pin Diameter	2.5 mm[.098 in]

Mechanical Attachment

Terminal Position Assurance	No
Strain Relief	Without
Mating Alignment Type	Keyed
Mating Alignment	With
Connector Mounting Type	Panel Mount

Housing Features

Housing Material	PBT GF
Centerline (Pitch)	7 mm[.276 in]

Dimensions

Connector Height	28 mm[1.1 in]
Product Length	44 mm[1.73 in]
Row-to-Row Spacing	7 mm[.276 in]

Usage Conditions

Operating Temperature (Max)	70 °C, 75 °C, 80 °C, 85 °C, 90 °C, 100 °C, 105 °C, 110 °C, 120 °C[158 °F][167 °F][176 °F][185 °F][194 °F][212 °F][221 °F][230 °F][248 °F]
Operating Temperature Range	-40 – 120 °C[-40 – 248 °F]

Industry Standards

Degree of Protection	IP69K
UL Flammability Rating	UL 94HB

Packaging Features

Packaging Quantity	450
Packaging Method	Box

Other

Serviceable	Yes
Connector Position Assurance Capable	No



Product Compliance

[For compliance documentation, visit the product page on TE.com>](#)

EU RoHS Directive 2011/65/EU	Compliant
EU ELV Directive 2000/53/EC	Compliant
China RoHS 2 Directive MIIT Order No 32, 2016	No Restricted Materials Above Threshold
EU REACH Regulation (EC) No. 1907/2006	Current ECHA Candidate List: JUNE 2023 (235) Candidate List Declared Against: JUNE 2023 (235) Does not contain REACH SVHC
Halogen Content	Low Halogen - Br, Cl, F, I < 900 ppm per homogenous material. Also BFR/CFR/PVC Free
Solder Process Capability	Not applicable for solder process capability

Product Compliance Disclaimer

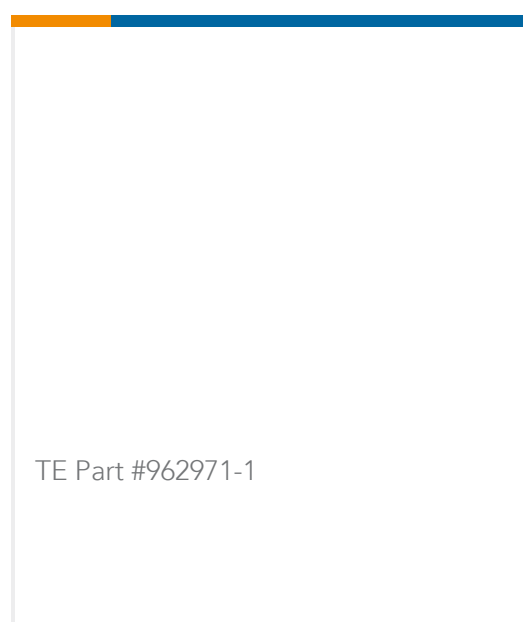
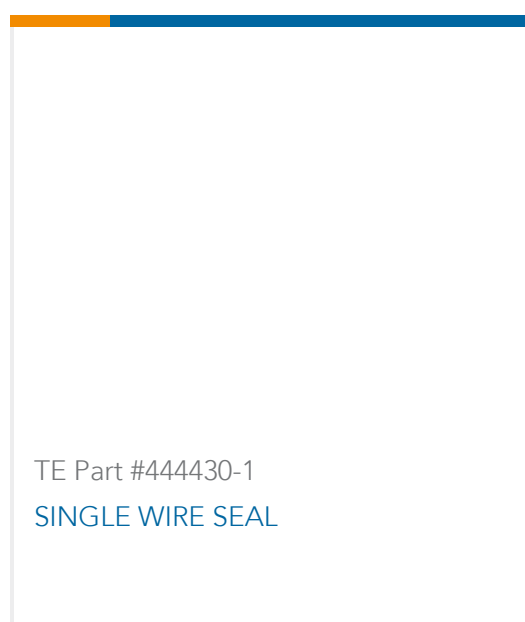
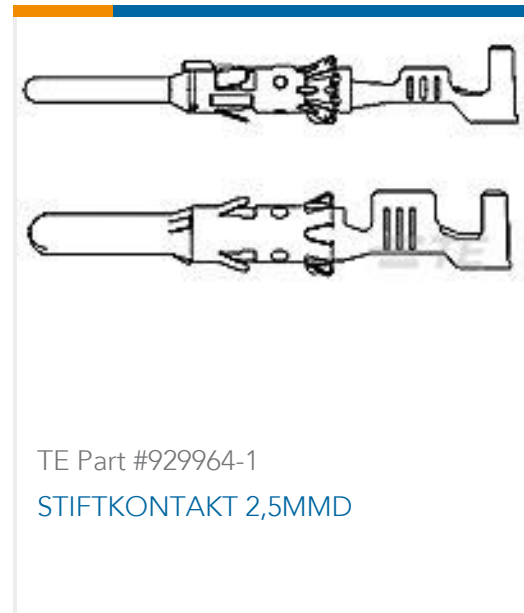
This information is provided based on reasonable inquiry of our suppliers and represents our current actual knowledge based on the information they provided. This information is subject to change. The part numbers that TE has identified as EU RoHS compliant have a maximum concentration of 0.1% by weight in homogenous materials for lead, hexavalent chromium, mercury, PBB, PBDE, DBP, BBP, DEHP, DIBP, and 0.01% for cadmium, or qualify for an exemption to these limits as defined in the Annexes of Directive 2011/65/EU (RoHS2). Finished electrical and electronic equipment products will be CE marked as required by Directive 2011/65/EU. Components may not be CE marked. Additionally, the part numbers that TE has identified as EU ELV compliant have a maximum concentration of 0.1% by weight in homogenous materials for lead, hexavalent chromium, and mercury, and 0.01% for cadmium, or qualify for an exemption to these limits as defined in the Annexes of Directive 2000/53/EC (ELV). Regarding the REACH Regulation, the information TE provides on SVHC in articles for this part number is based on the latest European Chemicals Agency (ECHA) 'Guidance on requirements for substances in articles' posted at this URL: <https://echa.europa.eu/guidance-documents/guidance-on-reach>

Compatible Parts

 <p>TE Part # CAT-C4962-B128 Circular DIN Backshells</p>	 <p>TE Part # 965687-1 FIXING RING</p>	 <p>TE Part # 185792-1 180 DEG CAP FOR CORRUGTD TUBE</p>	 <p>TE Part # 828920-1 EINZELADERDICHUNG</p>
---	---	---	---



Customers Also Bought



Documents

Product Drawings

[2,5MM ST-GH ASSY 4P](#)

English

CAD Files

Customer View Model

[ENG_CVM_2-967402-1_D2.3d_igs.zip](#)

English

Customer View Model



[ENG_CVM_2-967402-1_D2.3d_stp.zip](#)

English

Customer View Model

[ENG_CVM_2-967402-1_D2.2d_dxf.zip](#)

English

3D PDF

English

By downloading the CAD file I accept and agree to the [Terms and Conditions](#) of use.

Datasheets & Catalog Pages

CONNECTOR SELECTOR

English