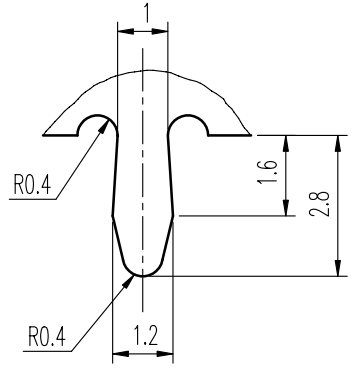
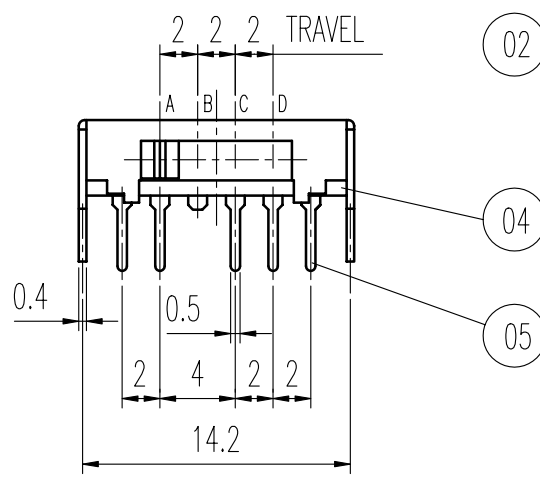


01

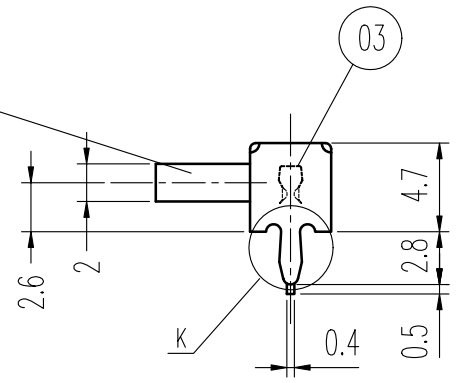


K DETAIL 3 : 1



04

05



02

03

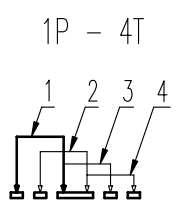
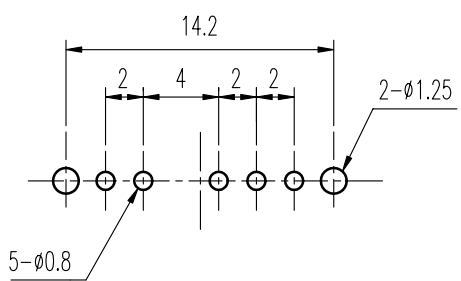


示意图 SCHEMATIC



安装孔 PIERCING PLAN

规格 Specifications

| | |
|-----------------------------------|------------------------------|
| 额定负荷 Ratings | DC 30 V 0.3 A |
| 初期接触电阻 Initial Contact Resistance | 30 mΩ Max. |
| 绝缘电阻 Insulation Resistance | DC 500 V 60 Sec. 100 MΩ Min. |
| 抗电强度 Dielectric Voltage | AC 500 V (50~60HZ) 60 Sec. |
| 操作力 Operating Force (gf) | A→B B→C C→D |
| | D→C C→B B→A |
| 负荷寿命 Operating Life With Load | 10,000次 Cycles |

| | | | | | | | | |
|------|------------------|--------------|--------|-------------|------------------|--------------------------------|----------|------------|
| 06 | 弹片 SPRING PLATE | C5210R | 1 | NATURAL | A03 | 铁壳备注项由Sn PLATED变更为N PLATED, 见© | 张渠江 | 2010-6-10 |
| 05 | 端子 TERMINAL | C2680R | 5 | Ag PLATED | A02 | 机械寿命 → 负荷寿命 见⑤ | 王光云 | 2006-4-24 |
| 04 | 基板 TERMINAL BASE | PHENOL RESIN | 1 | YELLOW | | 接触阻抗 → 初期接触电阻 见⑤ | | |
| 03 | 接触片 CONTACT | C5210R | 1 | Ag CLAD | A01 | C5210R/Ag → C5210R 见⑤ | 王光荣 | 2006-2-23 |
| 02 | 胶柄 KNOB | POM | 1 | VG 2 - 6 | 02 | | 何锦洪 | 2004-12-22 |
| 01 | 铁壳 FRAME | SPCC | 1 | Ni PLATED © | 标号 REV | 内容 DESCRIPTION | 签名 SIGN. | 日期 DATE |
| 序NO. | 零件 PART | 材料 MATERIAL | 数量 QTY | 备注 REMARKS | DWG NO. ITEM1292 | | | |

| | | | | | | | | |
|-----------------------------------|--------|----------|------------------------|-----------|------------|-------------|------|--------|
| TOLERANCES UNLESS OTHERWISE SPEC. | | TITLE | SIDE KNOB SLIDE SWITCH | | ITEM NO | SK-14D07-VG | | |
| UNDER 1 | ± 0.10 | DRAWN | 张渠江 | 2010-6-10 | VERSION | A03 | PAGE | 1 OF 1 |
| 1 - 10 | ± 0.30 | REVIEWED | 王光云 | 2010-6-10 | SCALE | | UNIT | mm |
| OVER 10 | ± 0.50 | APPROVED | 马建和 | 2010-6-10 | PROJECTION | | | |

COMAX 高铭电子(惠州)有限公司
Comax Electronics (Huizhou) Co., Ltd.