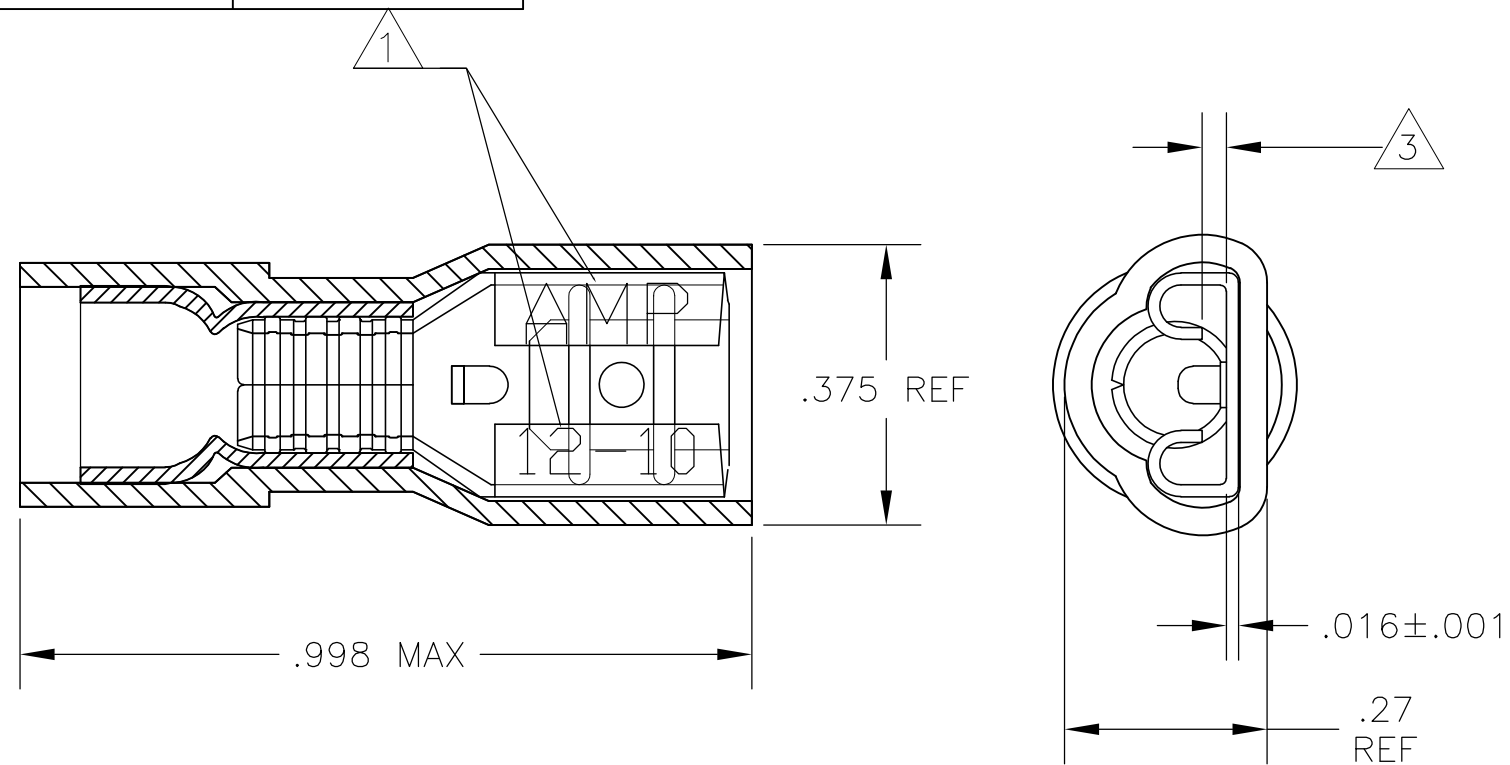


THIS DRAWING IS UNPUBLISHED. RELEASED FOR PUBLICATION
 © COPYRIGHT - By - ALL RIGHTS RESERVED.

LOC	DIST	REVISIONS					
G	86	P	LTR	DESCRIPTION	DATE	DWN	APVD
			E2	REVISED PER ECO-11-005027	11MAR11	RK	HMR

AMP WIRE RANGE	 FILE E66717	 LR7189 Certified
12-10 AWG STRANDED	12-10 AWG STRANDED	12-10 AWG STRANDED

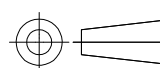



- 1 MARKED AMP 12-10
- 2 DESIGNED FOR WIRE INSULATION DIA OF .135-.210.
- 3 MATES WITH .250±.003 BY .032±.001 THK TAB.
- 4 BODY: BRASS, TIN PLATED SLEEVE: NYLON, YELLOW
- 5 RATED FOR 24 MAX AMPERE

100	LOOSE PIECE	8-696371-1
1000	LOOSE PIECE	696371-1
QTY	PACKAGE TYPE	PART NO.

TE CONNECTIVITY CUSTOMER SERVICE SYSTEM	
FOR ADDITIONAL PRODUCT INFORMATION OR COPIES OF DRAWING AND TECHNICAL DOCUMENTS	PRODUCT INFORMATION CENTER 1-800-522-6752
FOR APPLICATION TOOLING INFORMATION	TOOLING ASSISTANCE CENTER 1-800-722-1111
FOR ORDER ENTRY	1-800-526-5142

MAX RECOMMENDED OPERATING TEMPERATURE: 105°C [221°F] -	VOLTAGE RATING: 300V MAX -	CIRCULAR MIL AREA: 5,180-13,100 STRANDED
--	----------------------------------	---

THIS DRAWING IS A CONTROLLED DOCUMENT.	
DIMENSIONS: INCHES	TOLERANCES UNLESS OTHERWISE SPECIFIED:
	0 PLC ± - 1 PLC ± - 2 PLC ± - 3 PLC ± .008 4 PLC ± - ANGLES ± -
MATERIAL - 4	FINISH - 4

DWN JR RUTH 07NOV01	 TE Connectivity RECEPTACLE, 250 SERIES, FASTON, FULLY INSULATED, WIRE: 12-10 AWG	RESTRICTED TO
CHK T MICHELUTTI 07NOV01		
APVD T MICHELUTTI 07NOV01		NAME
PRODUCT SPEC		
APPLICATION SPEC	SIZE	CAGE CODE
114-13076	A3	00779
WEIGHT	DRAWING NO	RESTRICTED TO
-	C-696371	-
CUSTOMER DRAWING	SCALE	SHEET
	1:1	1 OF 1
	REV	E2