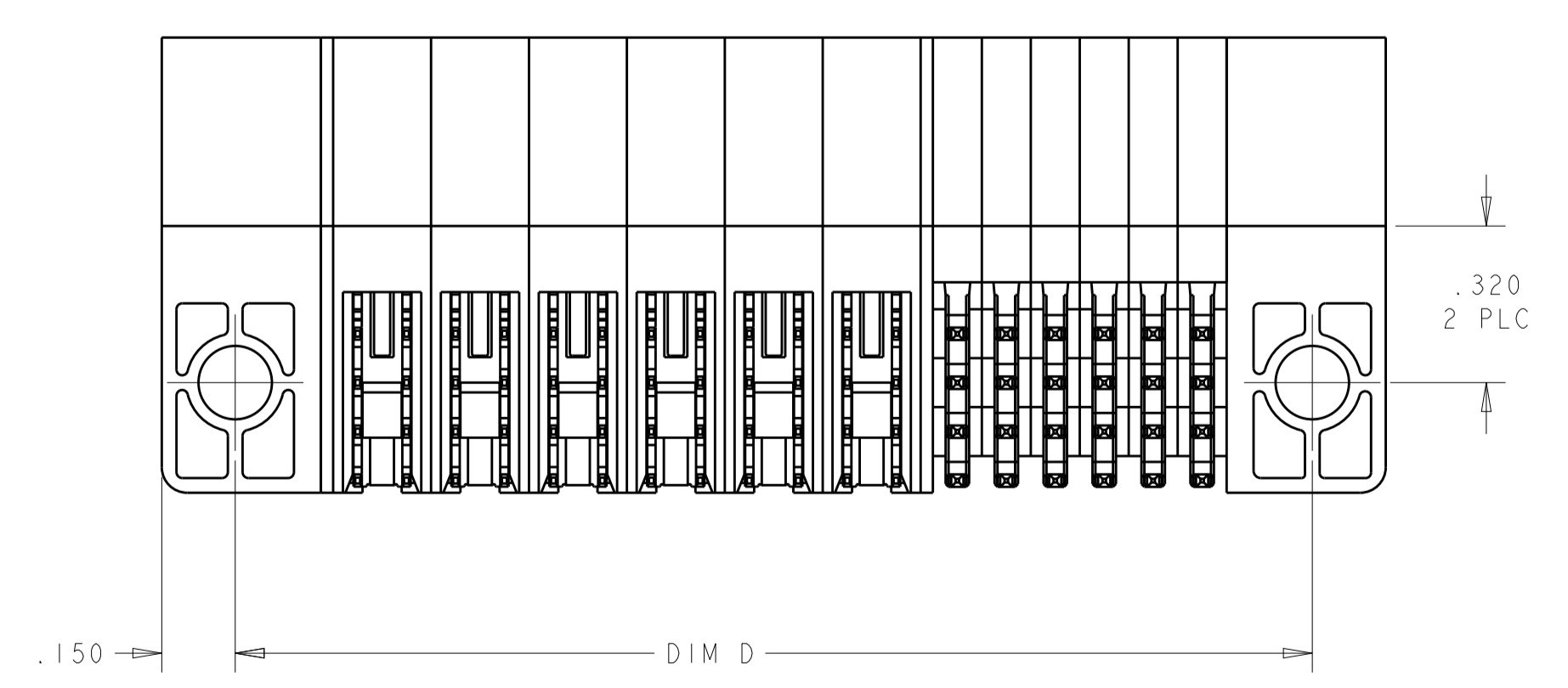
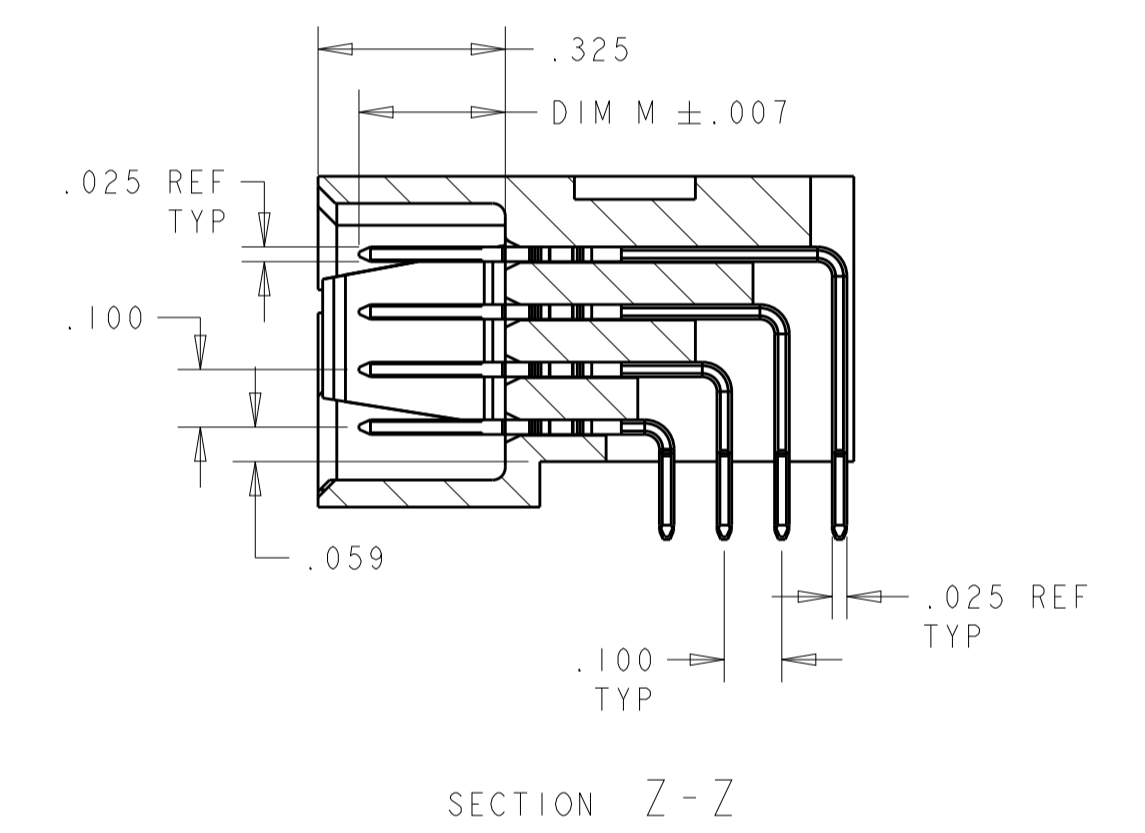
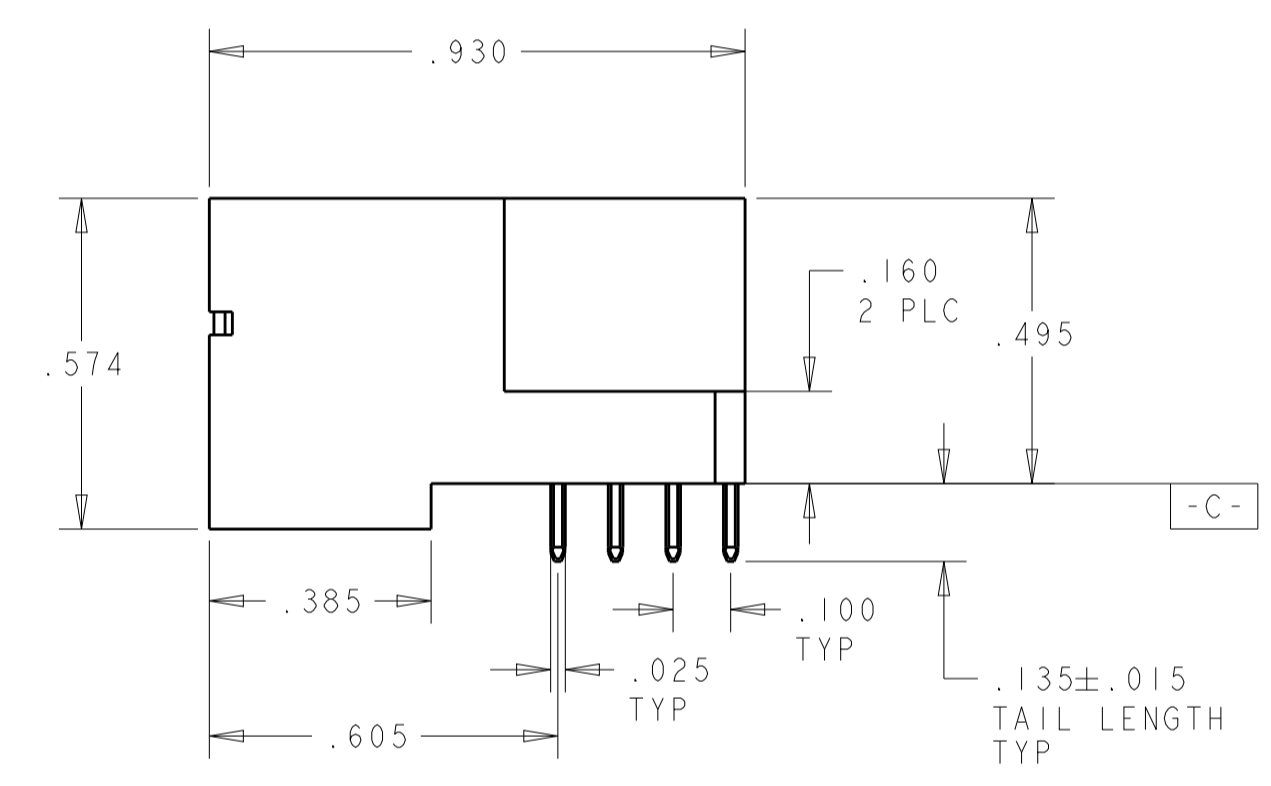
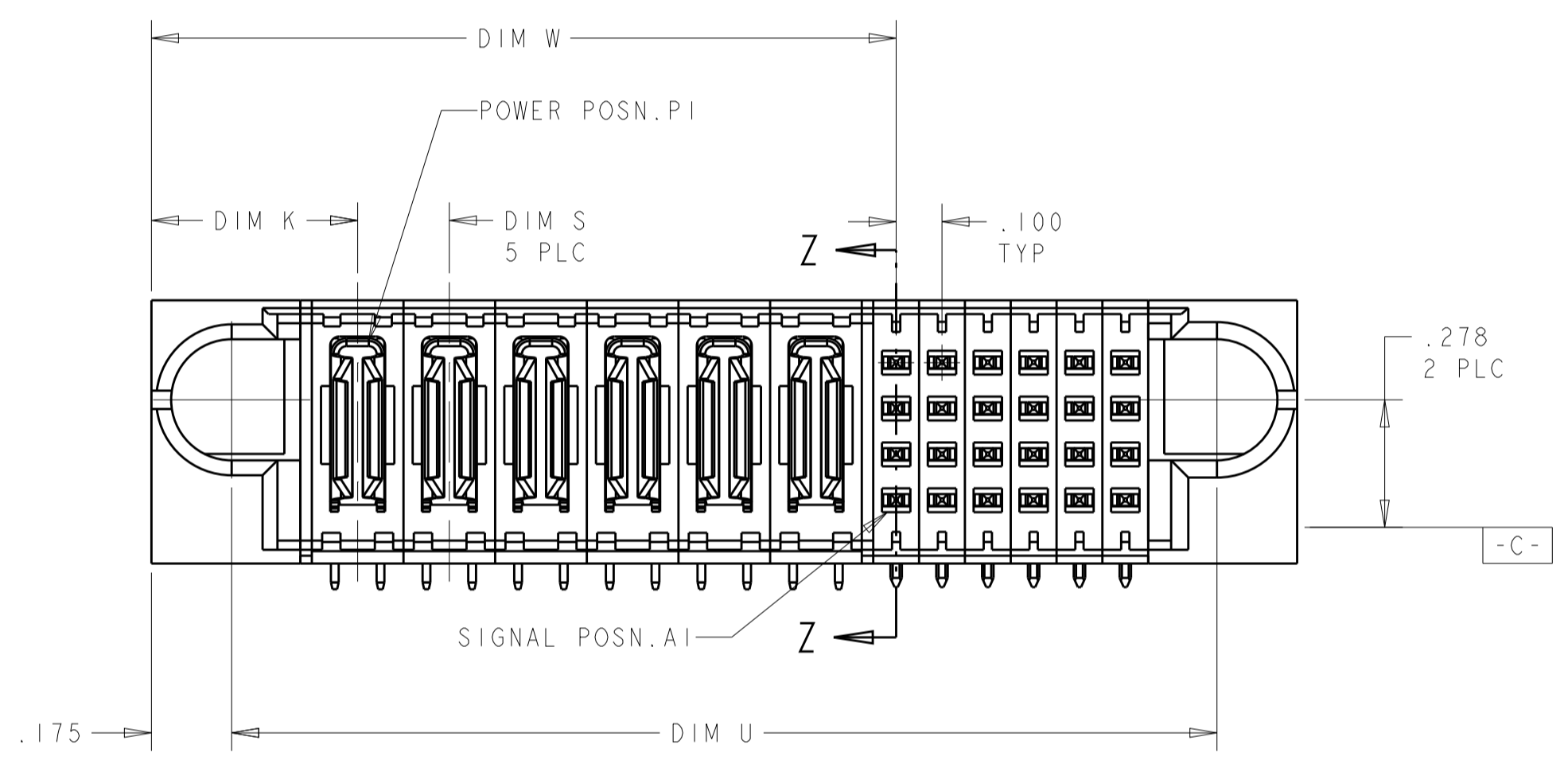
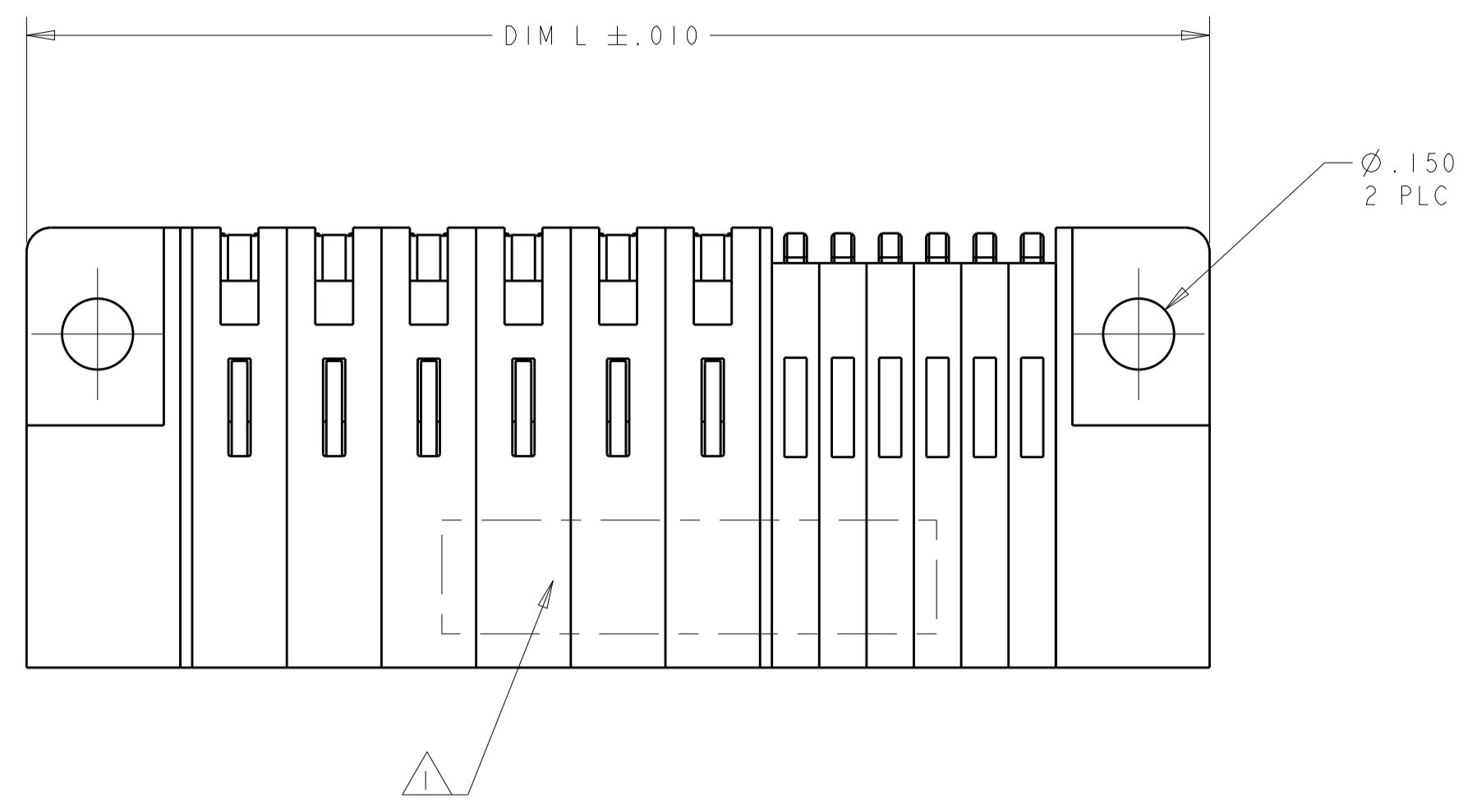


REVISIONS				
P	LTN	DESCRIPTION	DATE	APVD
B6		ADD NEW DASH NUMBER -8	17JUL2015	CZ SZ



- △ PART NUMBER AND DATE CODE MARKED IN AREA SHOWN.
- △ MATERIAL:
HOUSING: GLASS FILLED HIGH TEMP. THERMO PLASTIC, UL94 V-0
SIGNAL CONTACT: COPPER ALLOY
POWER CONTACT: HIGH CONDUCTIVITY COPPER ALLOY
- △ CONTACT PLATING:
SIGNAL CONTACT - .000050 MIN Ni UNDER ALL.
.000030 MIN Au ON CONTACT AREA.
.000100 MIN Sn AT PCB INTERFACE.
POWER CONTACT - .000050 MIN Ni UNDER ALL.
.000030 MIN Au ON CONTACT AREA.
.000100 MIN Sn AT PCB INTERFACE.
- △ MECHANICAL CONNECTOR KEEP OUT ZONE.
- △ DATUM AND BASIC DIMENSIONS ESTABLISHED BY CUSTOMER.
- △ PCB - ALL HOLE DIAMETERS ARE FINISHED HOLE SIZES.
- △ PCB - .0453 ±.0010 DRILLED HOLES PLATED WITH .0003 MIN Sn
OVER .001 TO .003 Cu PLATING TO ACHIEVE A .040 ±.003 HOLE.
- △ FOR VARIABLE DIMENSIONS PLEASE REFER TO TABLE.

△	4.225	3.875	3.925	3.550	.475	3ACP + 9P + 16S	6600112-8	
△	3.175	2.825	2.875	2.300	.475	3ACP + 4P + 24S	6600112-7	
△	4.225	3.875	3.925	3.550	1.025	3ACP + 9P + 16S	6600112-6	
△	4.225	3.875	3.925	3.550	.475	3ACP + 9P + 16S	6600112-5	
△	.250	2.250	1.900	1.950	1.375	4P + 24S	6600112-4	
△	3.050	2.700	2.750	2.275	.450	4ACP + 3P + 20S	6600112-3	
△	.300	1.950	1.600	1.650	.475	3ACP + 16S	6600112-2	
△	.200	2.500	2.150	2.200	1.625	6P + 24S	6600112-1	
	DIM S	DIM L	DIM U	DIM D	DIM W	DIM K	DESCRIPTION	PART NUMBER

THIS DRAWING IS A CONTROLLED DOCUMENT. DWG T.YU 30MAY2008
 CHK S.ZHAO 30MAY2008

DIMENSIONS: INCHES TOLERANCES UNLESS OTHERWISE SPECIFIED:
 0 PLC ±.01
 1 PLC ±.01
 2 PLC ±.01
 3 PLC ±.005
 4 PLC ±.0020
 ANGLES ±.020

MATERIAL FINISH

APVD NAME: T.YU, S.ZHAO

PRODUCT SPEC: 108-1973

APPLICATION SPEC: 114-13038

WEIGHT: -

CUSTOMER DRAWING

SCALE: 4:1 SHEET 1 OF 5 REV: B5

RESTRICTED TO

TE Connectivity

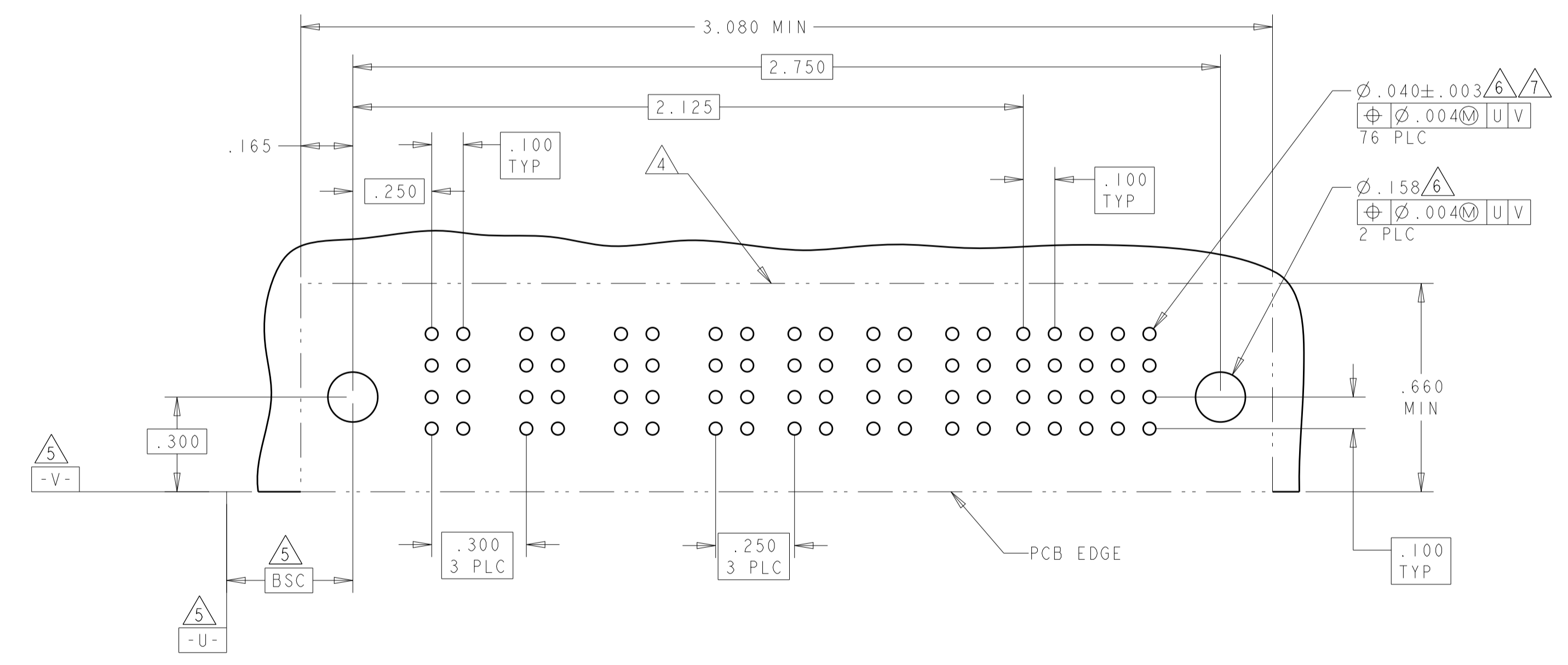
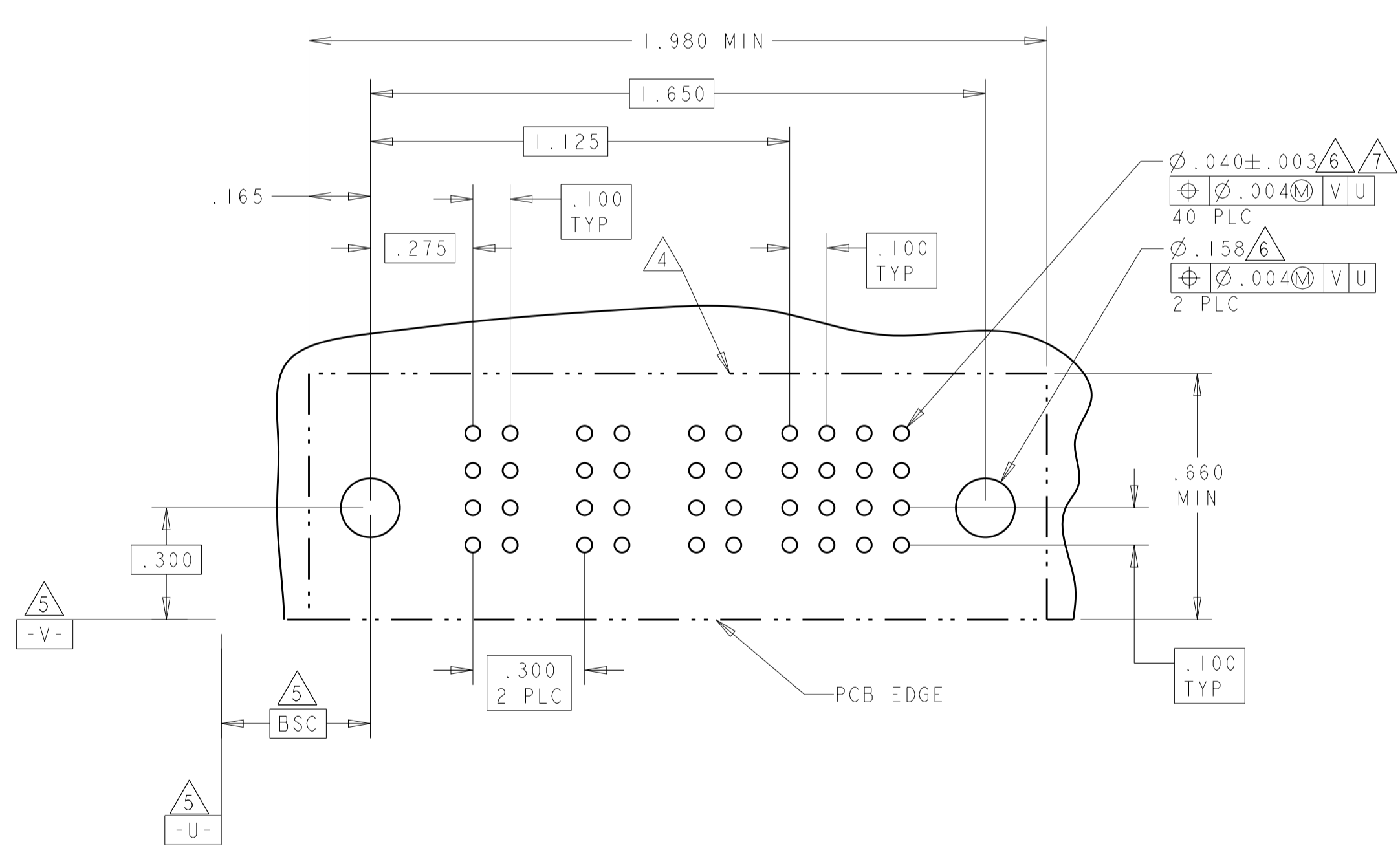
RIGHT ANGLE HEADER ASSEMBLY WITH MOUNTING HOLES, DUAL BEAM POWER, MULTI-BEAM XL

A100779C=6600112

REVISIONS				
P.	LTN	DESCRIPTION	DATE	APVD
-	-	SEE SHEET 1	-	-

PART NUMBER	ROWS	POWER			SIGNAL			
		P1	P2	P3	1	2	3	4
		PS	PS	PS	J	J	J	J
6600112-2	D C B A	PS	PS	PS	K	K	K	K
		N	N	N	N	N	N	
		S	S	S	S	S	S	
3ACP + 16S								

PART NUMBER	ROWS	POWER							SIGNAL				
		P1	P2	P3	P4	P5	P6	P7	1	2	3	4	5
		PS	PS	PS	PS	PS	PS	PS	J	J	J	J	J
6600112-3	D C B A	PS	PS	PS	PS	PS	PS	K	K	K	K	K	
		N	N	N	N	N	N	N	N	N	N	N	
		H	S	S	S	S	S	S	S	S	S	S	
4ACP + 3P + 20S													



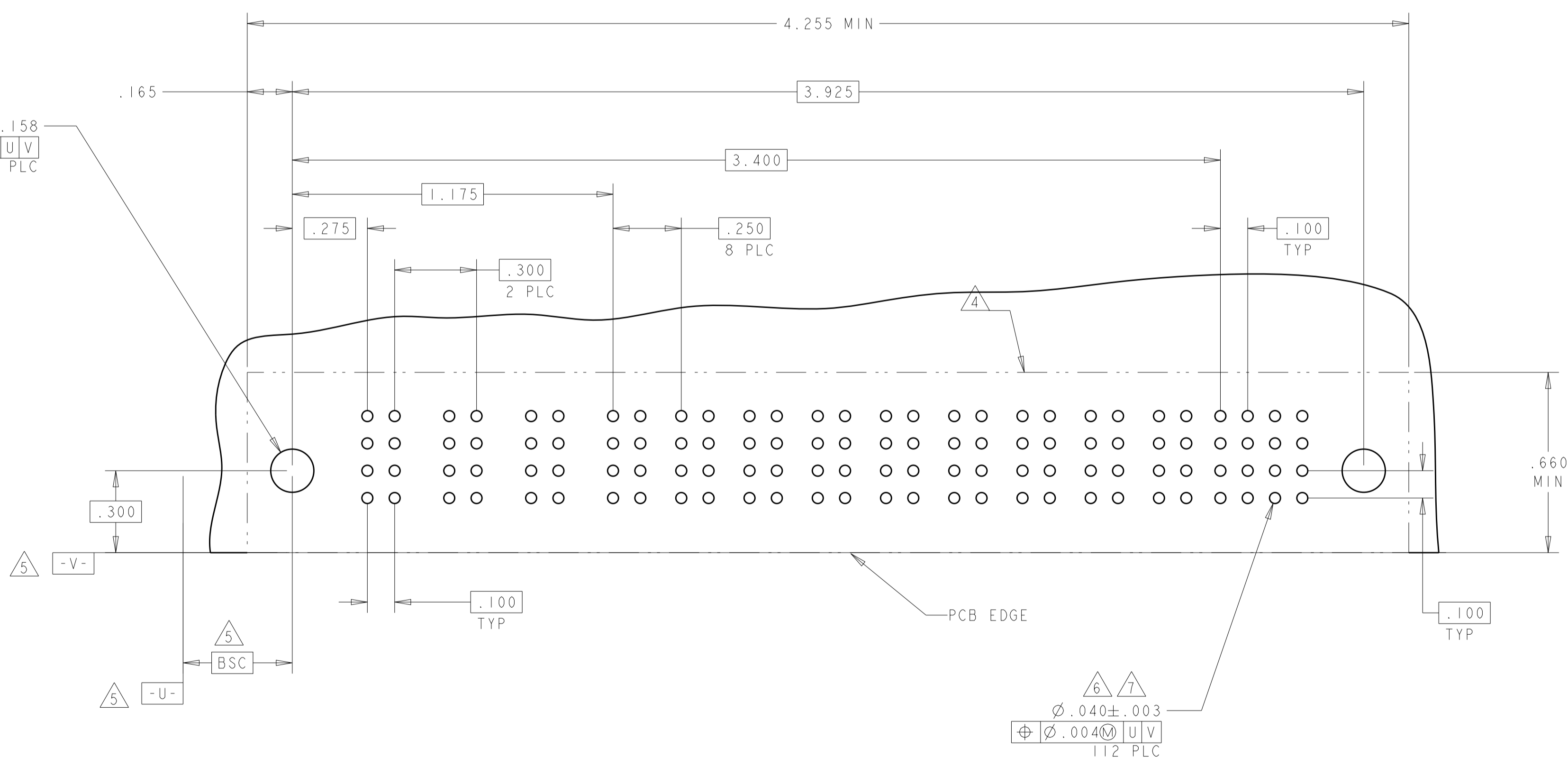
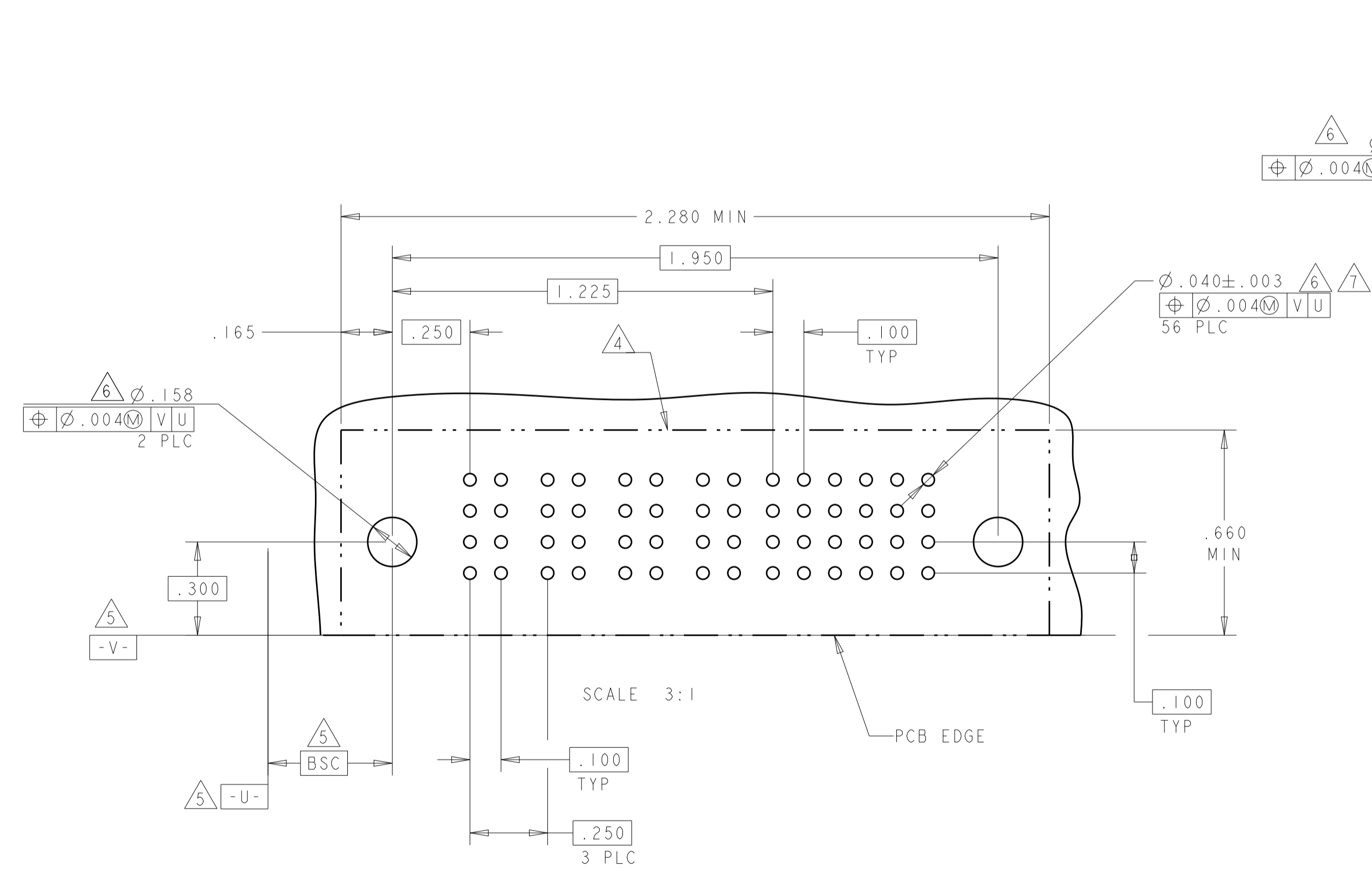
THIS DRAWING IS A CONTROLLED DOCUMENT.		DWN T. YU 30MAY2008	 TE Connectivity
DIMENSIONS: INCHES		CHK S. ZHAO 30MAY2008	
TOLERANCES UNLESS OTHERWISE SPECIFIED:		APVD	NAME
0 PLC \pm	1 PLC $\pm .01$	PRODUCT SPEC	RIGHT ANGLE HEADER ASSEMBLY WITH MOUNTING HOLES, DUAL BEAM POWER, MULTI-BEAM XL
2 PLC $\pm .01$	3 PLC $\pm .01$	APPLICATION SPEC	RESTRICTED TO
4 PLC $\pm .005$	5 PLC $\pm .0020$	SIZE	A100779C=6600112
ANGLES ± 0.020	FINISH ± 0.020	WEIGHT	SCALE 4:1 SHEET 3 OF 5 REV B5
MATERIAL	FINISH	CUSTOMER DRAWING	

REVISIONS				
P.	LTN.	DESCRIPTION	DATE	APVD.
-	-	SEE SHEET 1	-	-

PART NUMBER	ROWS	POWER				SIGNAL																	
		P1	P2	P3	P4	1	2	3	4	5	6												
6600112-4	D C B A	PS	PS	PS	PS	J	J	J	J	J	J	K	K	K	K	N	N	N	N	S	S	S	S
4P + 24S																							

PART NUMBER	ROWS	POWER												SIGNAL															
		P1	P2	P3	P4	P5	P6	P7	P8	P9	P10	P11	P12	1	2	3	4												
6600112-5	D C B A	PS	PS	PS	PS	PS	PS	PS	PS	PS	PS	PS	PS	J	J	J	J	K	K	K	K	N	N	N	N	S	S	S	H
3ACP + 9P + 16S																													

PART NUMBER	ROWS	POWER												SIGNAL															
		P1	P2	P3	P4	P5	P6	P7	P8	P9	P10	P11	P12	1	2	3	4												
6600112-8	D C B A	PS	PS	PS	PS	PS	PS	PS	PS	PS	PS	PS	PS	J	J	J	J	K	K	K	K	N	N	G	N	S	S	S	H
3ACP + 9P + 16S																													



6600112-5 AND 6600112-8 PCB LAYOUT

THIS DRAWING IS A CONTROLLED DOCUMENT.		OWN: T. YU 30MAY2008	 TE Connectivity
DIMENSIONS: INCHES		CHK: S. ZHAO 30MAY2008	
TOLERANCES UNLESS OTHERWISE SPECIFIED:		APVD: -	NAME: RIGHT ANGLE HEADER ASSEMBLY WITH MOUNTING HOLES, DUAL BEAM POWER, MULTI-BEAM XL
0 PLC ± .01 1 PLC ± .01 2 PLC ± .01 3 PLC ± .005 4 PLC ± .002 ANGLES ± .020 FINISH		PRODUCT SPEC: 108-1973	RESTRICTED TO: -
MATERIAL: -		APPLICATION SPEC: 114-13038	SIZE: A100779
WEIGHT: -		CUSTOMER DRAWING	SCALE: 4:1 SHEET 4 OF 5 REV: B5

