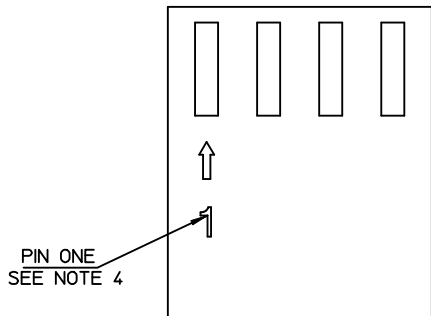
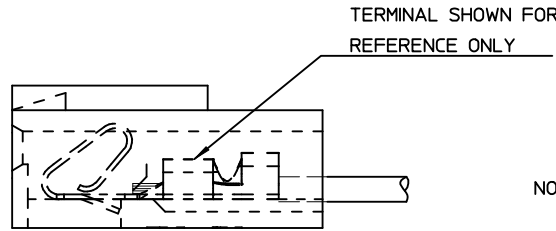
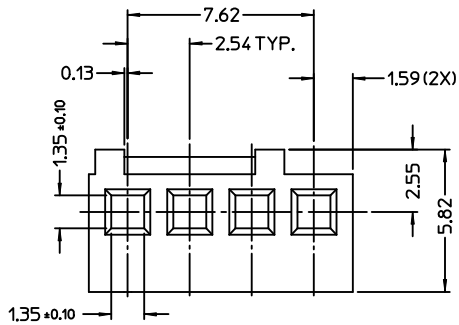
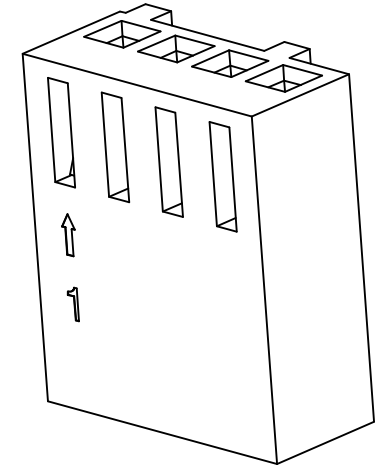
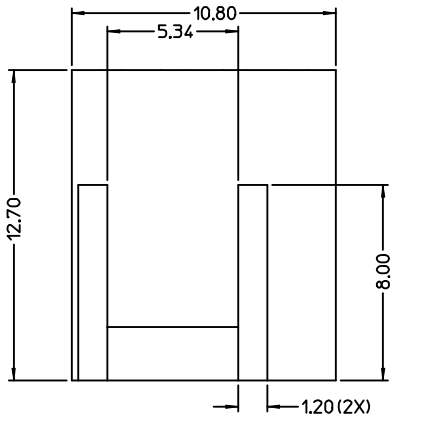


NOTES:

1. MATERIAL: NYLON, UL94V-0, COLOR: NATURAL(WHITE).
2. HOUSING TO BE USED WITH CRIMP TYPE TERMINAL NO.2759,22-30 GAUGE WIRE WITH 1.57 DIA. MAXIMUM WIRE INSULATION.
3. THIS HOUSING CONFORMS TO MOLEX PRODUCT SPEC. NO. PS-47053-001.
4. CIRCUIT NO. "1" TO APPEAR ON PARTS.
5. HOUSING TO BE MATE WITH HEADER SERIES 47053

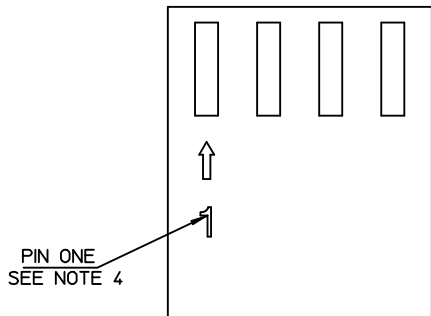


| | | | | |
|---|--|--|---|--|
| NEW PART EC NO: UCP2017-1234 DRWN: SNAGARAVED/16/12/05 CHKD: APPR: ISHWARG 2016/12/08 REV B | QUALITY SYMBOLS ▼ - 0 ▽ - 0 | GENERAL TOLERANCES (UNLESS SPECIFIED) 4 PLACES ± --- ± --- 3 PLACES ± --- ± --- 2 PLACES ± 0.13 ± --- 1 PLACE ± 0.25 ± --- ANGULAR ± 3° | SCALE 1:1 DESIGN UNITS METRIC DIMENSION STYLE MM ONLY | THIRD ANGLE PROJECTION REVISE ON CAD ONLY |
| | DRAWN BY RZHANG DATE 2003/10/31 CHECKED BY HJYIN DATE 2003/10/31 APPROVED BY SHUANG DATE 2003/10/31 | TITLE 4 PIN HOUSING FOR CRIMP TERMINALS | MATERIAL NO. 47054-1000 DOCUMENT NO. SD-47054-001 | SHEET NO. 1 OF 1 |
| | DRAFT WHERE APPLICABLE MUST REMAIN WITHIN DIMENSIONS | THIS DRAWING CONTAINS INFORMATION THAT IS PROPRIETARY TO MOLEX INCORPORATED AND SHOULD NOT BE USED WITHOUT WRITTEN PERMISSION | | |
| | | MOLEX INCORPORATED | | |



NOTES:

1. MATERIAL: NYLON, UL94V-0, COLOR: NATURAL(WHITE).
2. HOUSING TO BE USED WITH CRIMP TYPE TERMINAL NO.2759,22-30 GAUGE WIRE WITH 1.57 DIA. MAXIMUM WIRE INSULATION.
3. THIS HOUSING CONFORMS TO MOLEX PRODUCT SPEC. NO. PS-47053-001.
4. CIRCUIT NO. "1" TO APPEAR ON PARTS.
5. HOUSING TO BE MATE WITH HEADER SERIES 47053



| | | | | | | | |
|--|-----------------|---|--------------------|-----------------|-------------------------|---------------------------|--|
| NEW PART EC NO: UCP2017-1234 DRWN: SNAGARAVED/16/12/05 CHKD: APPR: ISHWARG 2016/12/08 REV B | QUALITY SYMBOLS | GENERAL TOLERANCES (UNLESS SPECIFIED) | | SCALE 1:1 | DESIGN UNITS METRIC | THIRD ANGLE PROJECTION | REVISE ON CAD ONLY |
| | ▼ - 0 ▽ - 0 | 4 PLACES | mm | INCH | DIMENSION STYLE MM ONLY | | TITLE 4 PIN HOUSING FOR CRIMP TERMINALS MOLEX INCORPORATED |
| | | 3 PLACES | ± --- | ± --- | DRAWN BY RZHANG | DATE 2003/10/31 | |
| | | 2 PLACES | ± 0.13 | ± --- | CHECKED BY HJYIN | DATE 2003/10/31 | |
| 1 PLACE | ± 0.25 | ± --- | APPROVED BY SHUANG | DATE 2003/10/31 | MATERIAL NO. 47054-1000 | DOCUMENT NO. SD-47054-001 | |
| DRAFT WHERE APPLICABLE MUST REMAIN WITHIN DIMENSIONS | | THIS DRAWING CONTAINS INFORMATION THAT IS PROPRIETARY TO MOLEX INCORPORATED AND SHOULD NOT BE USED WITHOUT WRITTEN PERMISSION | | | | | |