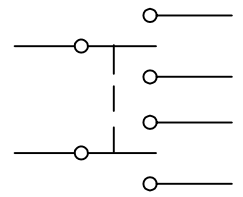
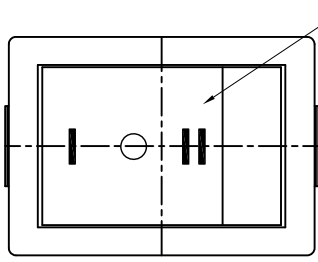
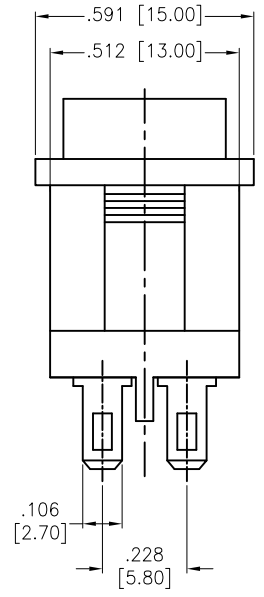
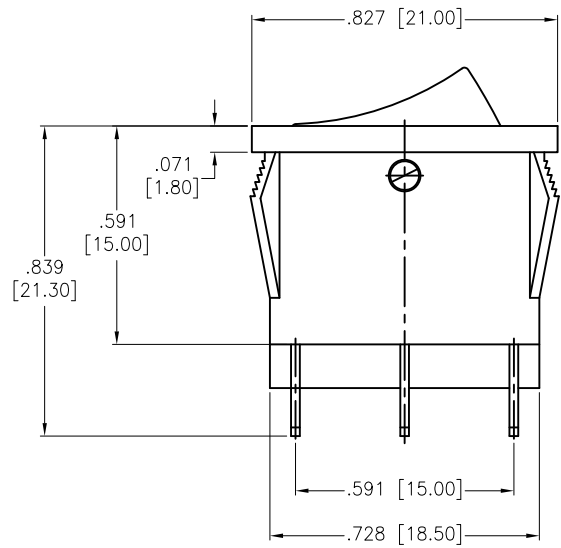


| | | | | |
|-----|-------|-------------|----------|------|
| Rev | AWO # | Description | Date | Appr |
| - | | RELEASED | 10/16/20 | |

APPROVED: _____
DATE: _____ TITLE: _____



CIRCUIT DIAGRAM
(DPDT) ON-OFF-ON



E=ON-OFF-ON
SW-R2-4X-S-XX-1

| | Actuator Color |
|-------|----------------|
| BLANK | Standard Black |
| W | White |
| R | Red |
| G | Green |
| Y | Yellow (Amber) |
| B | Blue |
| O | Orange |

| | Actuator Markings |
|---|-------------------|
| 5 | |
| 6 | |

SPECIFICATIONS:
Material:
Body: Nylon 66, Color Black, Rated UL 94V-0
Terminal: Brass, Silver plated
Button: Nylon 66, Solid color, White color markings. (See Chart)
Electrical:
The rated load: 250V AC, 6A
125V AC, 10A
Contact resistance: 50 mohms max
Insulation resistance: 100 Mohms min
Dielectric withstanding voltage: 1500 VAC for 1 minute
Mechanical:
Endurance: 10000 Cycles
Temperature Rating:
Operating temperature: -25°C to +85°C
Environmental:
Lead free, RoHS compliant



Replace "x" in P/N with the corresponding switch color and marking

| | | |
|---|-------------|----------|
| UNLESS OTHERWISE SPECIFIED ALL DIMENSIONS ARE INCHES [MM] TOLERANCES: EXCEPT AS NOTED | | |
| INCHES | | HOLES |
| .X ± .10 | ØX ± .10 | |
| .XX ± .020 | ØXX ± .015 | |
| .XXX ± .015 | ØXXX ± .010 | |
| APPROVALS | | DATE |
| DRAWN | OW | 10/16/20 |
| CHECKED | AC | 10/16/20 |
| APPROVED | | |

ADAM TECH 909 Rahway Avenue,
Union, NJ 07083
Phone: 908-687-5000
Fax: 908-687-5710

TITLE: SWITCH, MINIATURE ROCKER, DPDT,
SOLDER TERMINAL, ON-ON & ON-OFF-ON

| | | |
|--------------|-----------------------------|--------------|
| SIZE X | PART NO. SW-R2-4X-S-XX-1 | REV. - |
| REF: S00206C | SCALE: NTS | SHEET 1 OF 1 |

6 5 4 3 2 1

D

D

C

C

B

B

A

A

6 5 4 3 2 1