

Style

M12 Plug
3 pin
A-coding

Ratings

Voltage: 250 V
Current: 4 A

Operating Temperature Range

-40 ~ 85 °C

Materials

- ① Insulator: TPU, black
- ② Pin: C3604 brass, gold plated
- ③ Shell: C3604 brass, nickel plated

Electrical Requirements

Dielectric strength: 1 min @ 500 Vac
Insulation resistance: 100 MΩ @ 500 Vdc
Contact resistance: 10 mΩ or less

Mechanical Requirements

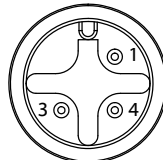
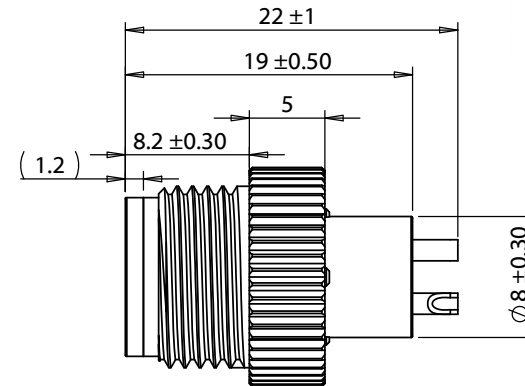
Life cycle: 500 mating cycles minimum

Environmental Requirements

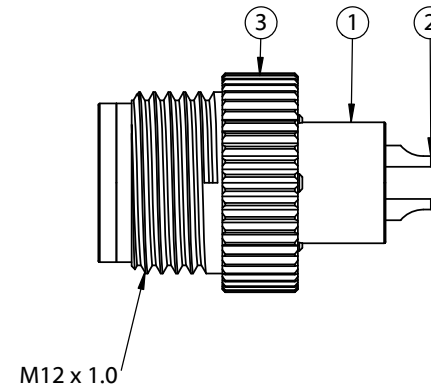
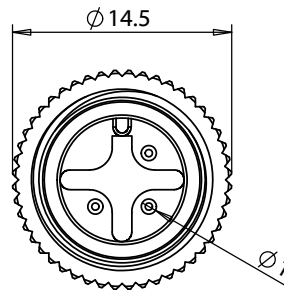
Salt spray test: 35 °C, relative humidity 90-95%, 5% NaCl mist for 48 hrs. Wash parts after test. Maintain mechanical requirements and a contact resistance of less than 10 mΩ.
Waterproof: IP67

Assembly Info

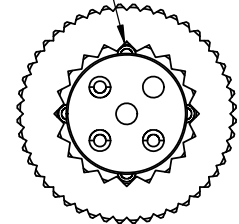
Wire gauge: 22 AWG max



Front View
Not to Scale



Spin-locking feature
Slide shell to unlock/lock



Revision:	Date:	Description:
A	8/4/2020	Initial release

Prepared:
AW
Digitally signed by AW
Date: 2020.10.12
13:02:55 -07'00'

Verified:
AG
Digitally signed by AG
Date: 2020.10.14 12:13:54
-07'00'

Dimensions are in millimeters.
Tolerances:
X: ± 0.3 mm
X.X: ± 0.1 mm
X.XX: ± 0.05 mm

Notes:
RoHS compliant

Function test: no open, no short circuit, no intermittent

Description:
Connector, 3 pin M12 A-code plug, 12xL22mm, gold plated, molding style, solder cup, IP67

TENSILITY

tel 1.541.323.3228 800 877.670.7118
fax 1.541.323.4202 web tensility.com

Size:	Part number:
A	50-00972
Scale: 2:1	Sheet 1 of 1