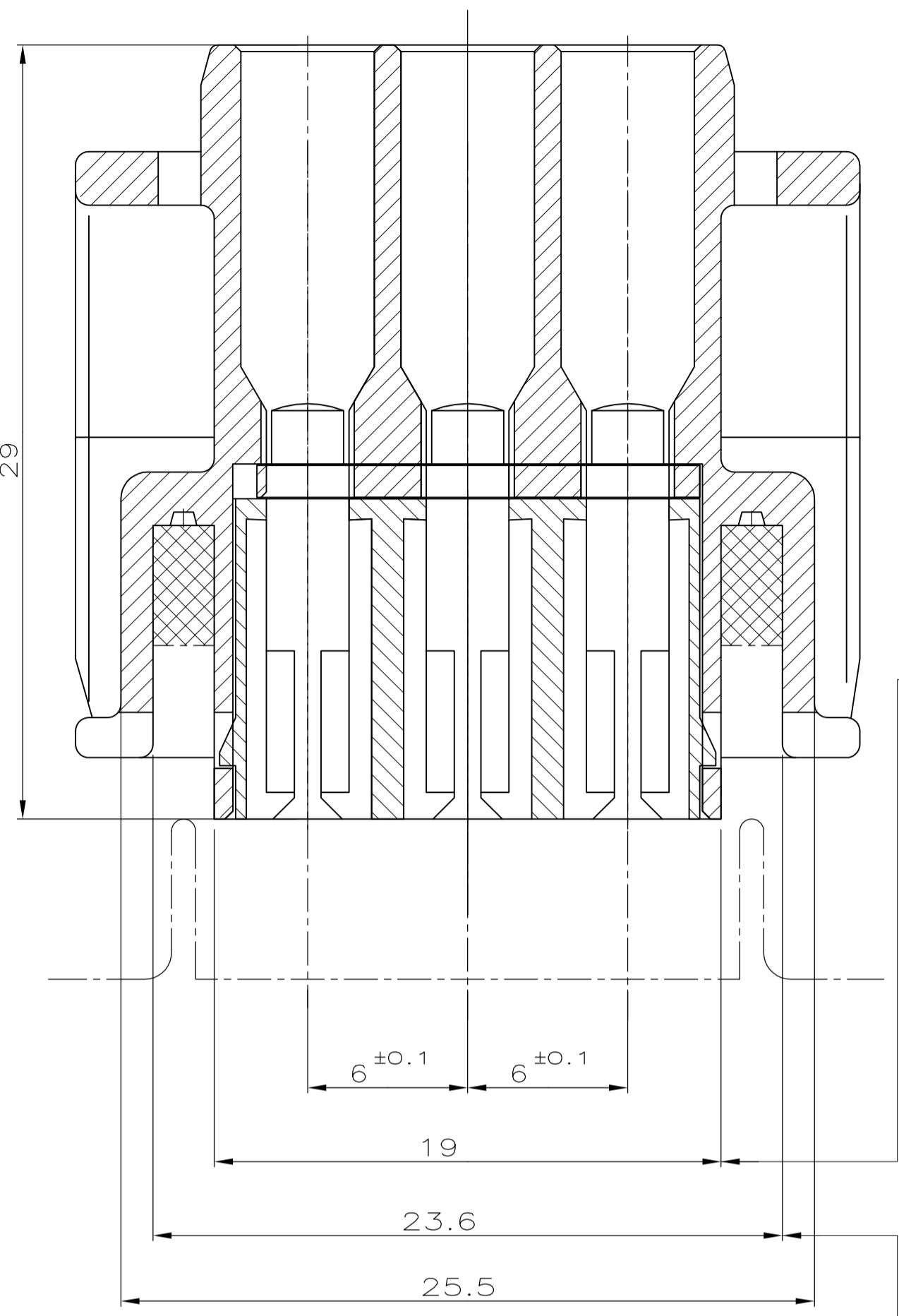
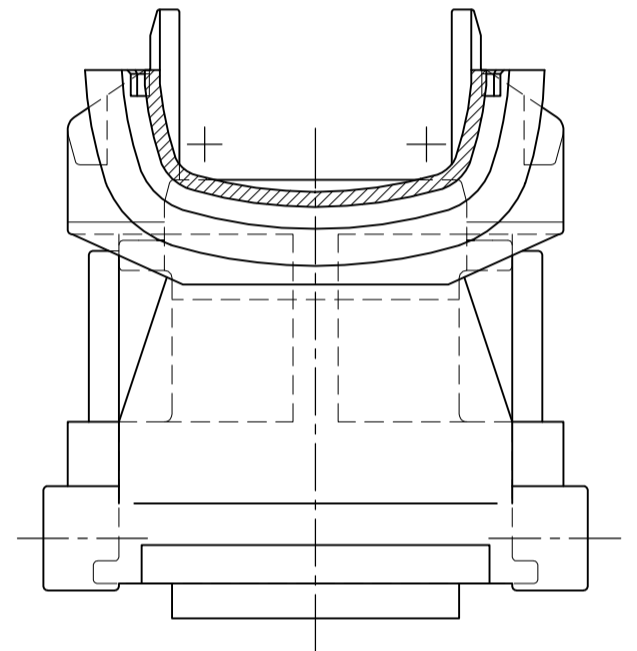


VORRASTSTELLUNG
PRE-ASSEMBLY

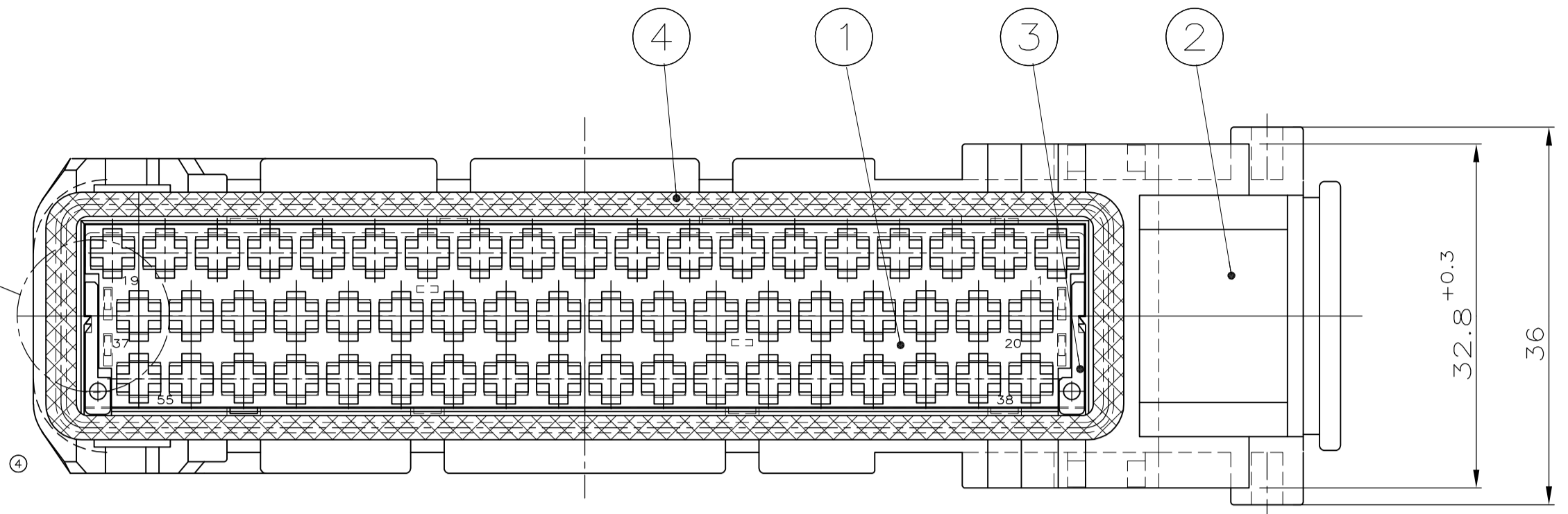
Schnitt SECTION A-B



Einfall bis 18.45 zulässig
PERMISSIBLE COLLAPSE TO 18.45

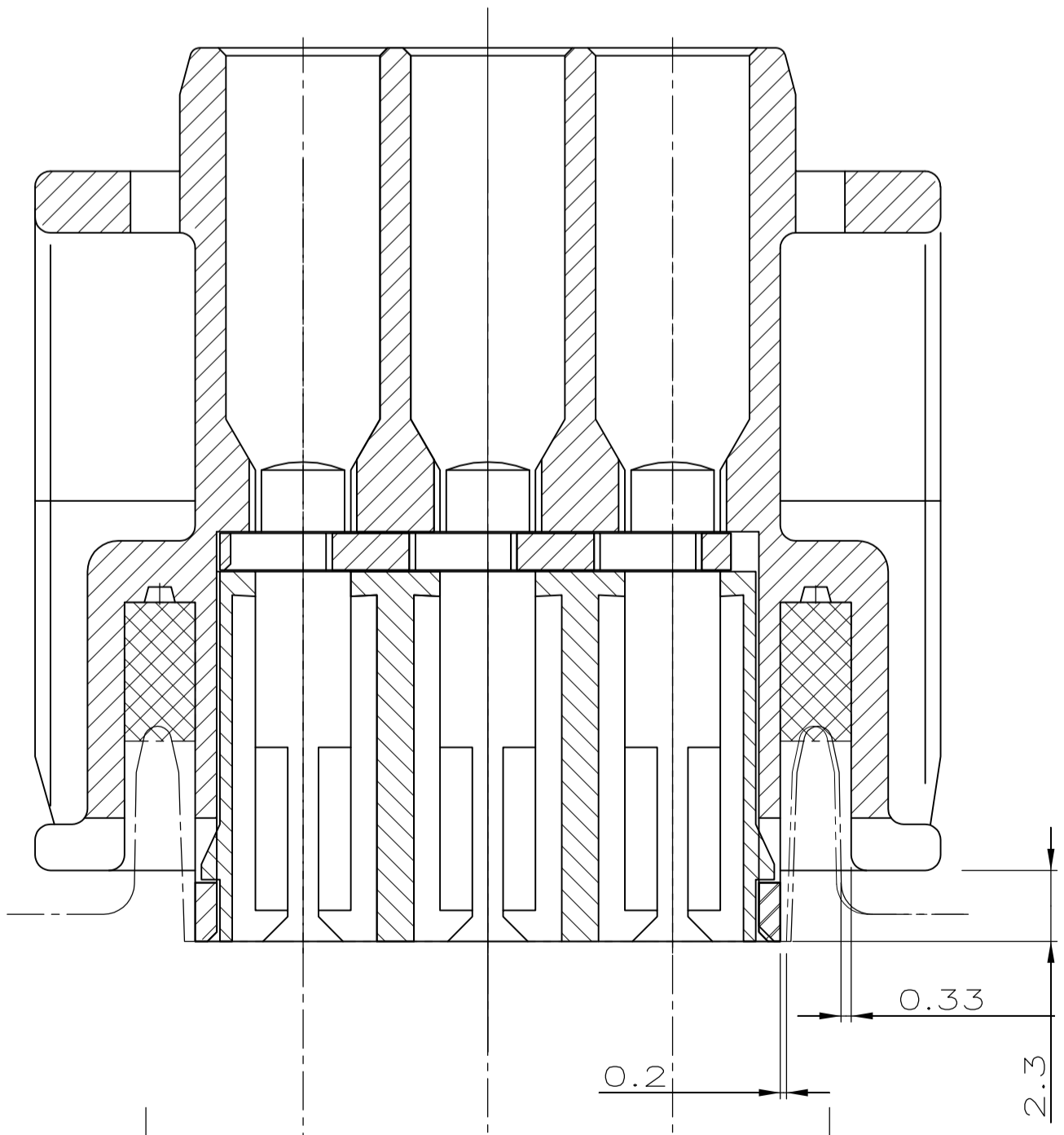


VERRASTUNG BEI VORMONTAGE
LOCKING AFTER PRE ASSEMBLY

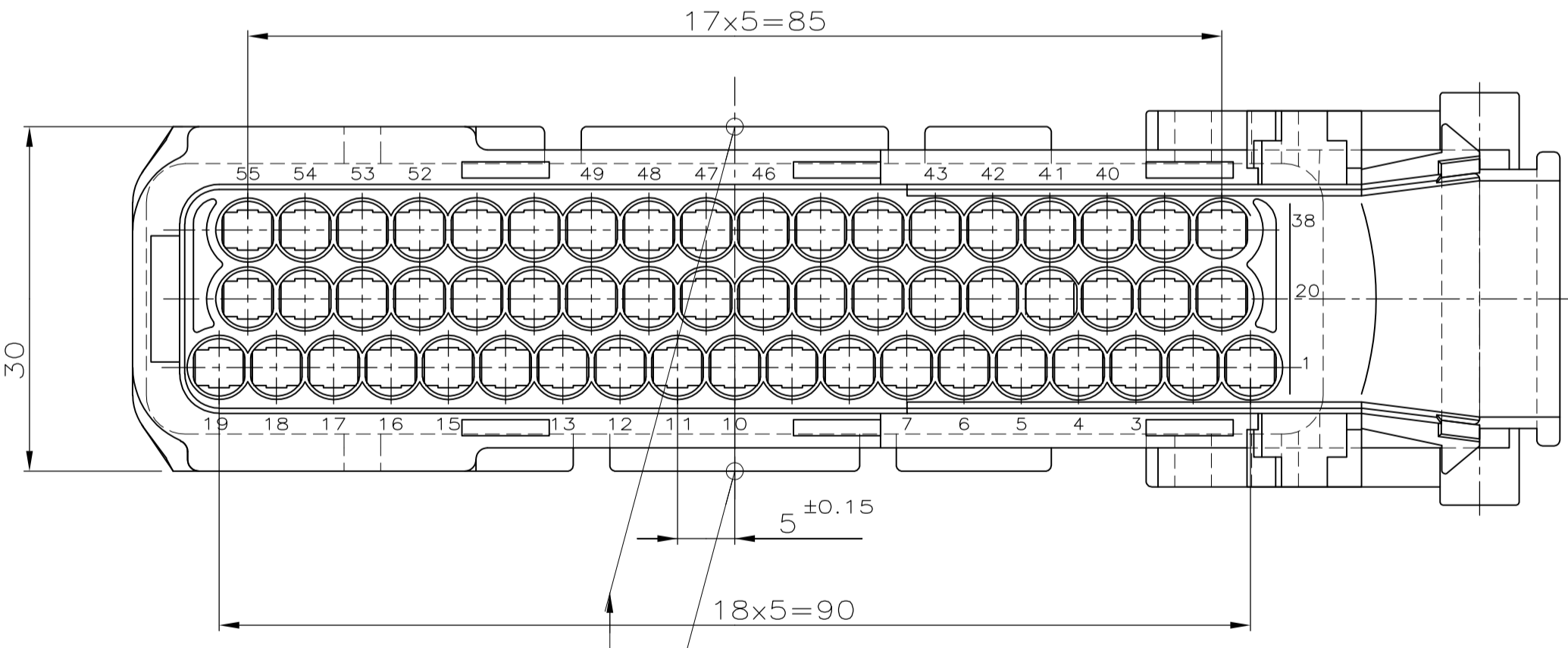
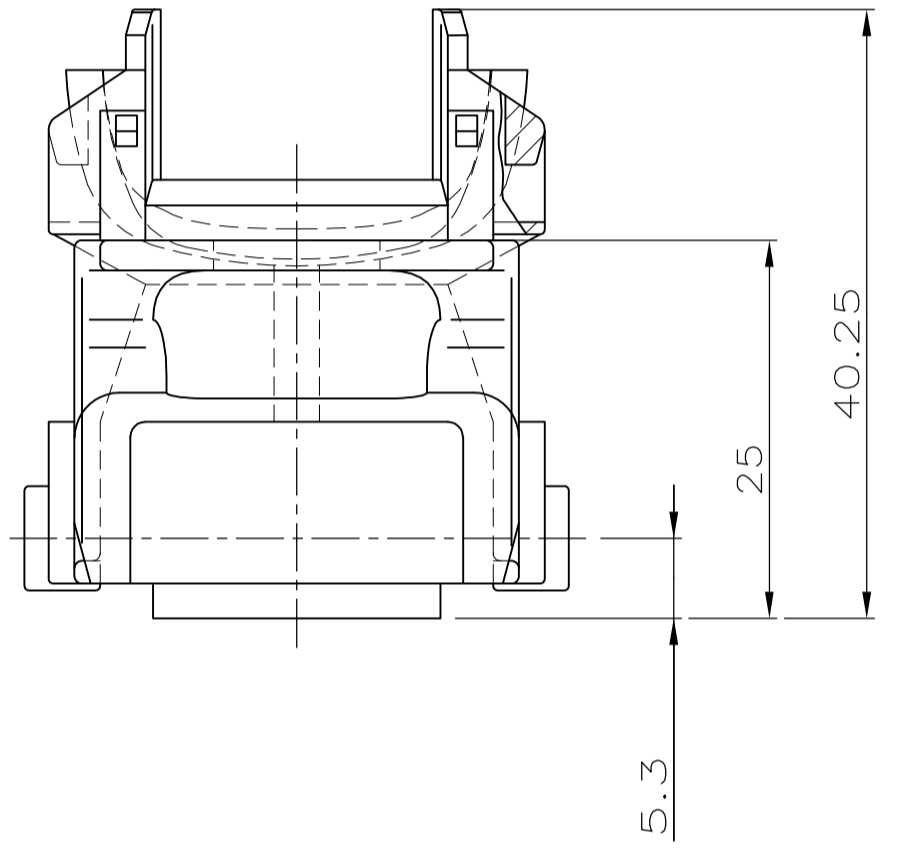
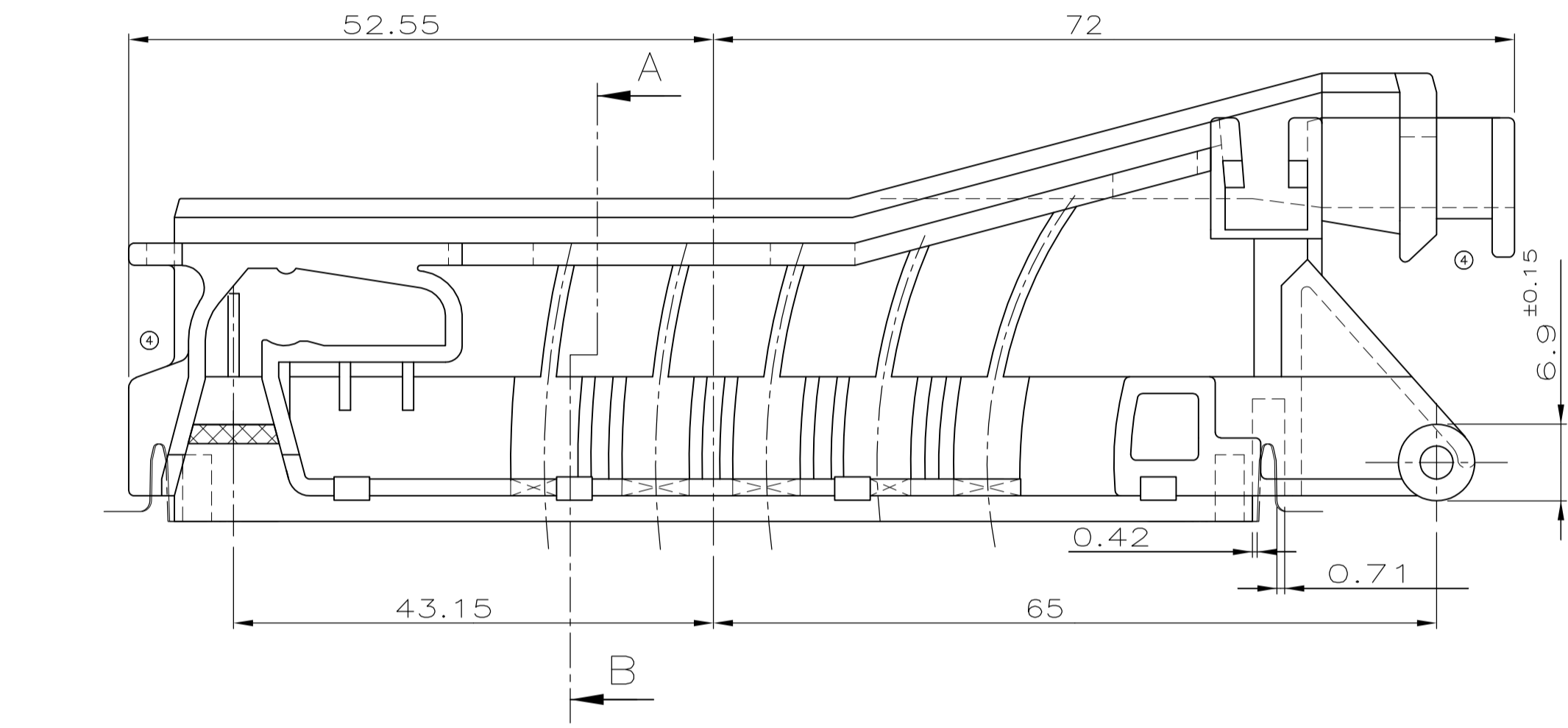
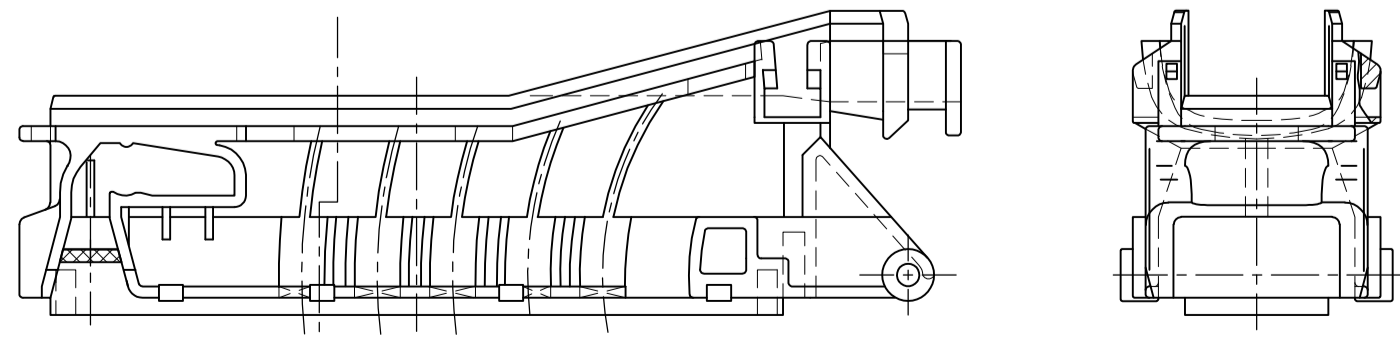


Einfall bis 22.75 zulässig
PERMISSIBLE COLLAPSE TO 22.75

ENDRASTSTELLUNG
END-ASSEMBLY



M 1:1
SCALE 1:1
Einfall bis 29.0 zulässig
PERMISSIBLE COLLAPSE TO 29.0



Kontakt PN CONTACT PN	Drahtquersch. WIRE RANGE	Material MATERIAL	Einzelichtung SINGLE-WIRE-SEAL	Isolations ϕ INSULATION RANGE	Farbe COLOUR
929937-1	> 1 - 2.5	CuFe2	828905-1	2.1 - 2.9	weiß WHITE
929939-1	0.5 - 1	CuFe2	828904-1	1.2 - 2.0	blau BLUE
929941-1	0.2 - 0.5	CuFe2			

ACCORDING TO ATE DWG.
3-38100-46 Rev. F05-82544
Max. 22.55 Min. 21.85

THIS DRAWING IS A CONTROLLED DOCUMENT.

DIMENSIONS: mm	TOLERANCES UNLESS OTHERWISE SPECIFIED:	DIN W. PFEFFER 20 JUN 1988	
0 PLC ±	± 0.3 MM	21 JUN 1988	
1 PLC ±	± 0.3 MM		TE Connectivity
2 PLC ±	± 0.3 MM		NAME
3 PLC ±	± 0.3 MM		55POS J-P-TIMER CONNECTOR SEALED VERSION ASS'Y
4 PLC ±	± 0.3 MM		PRODUCT SPEC
ANGLES ± 1.0°			APPLICATION SPEC
MATERIAL	FINISH	WEIGHT	SIZE CASE CODE DRAWING NO
			A1 00779 C=828907
			RESTRICTED TO
			CUSTOMER DRAWING
			SCALE 2:1/5:1 SHEET 1 OF 1 REV 5