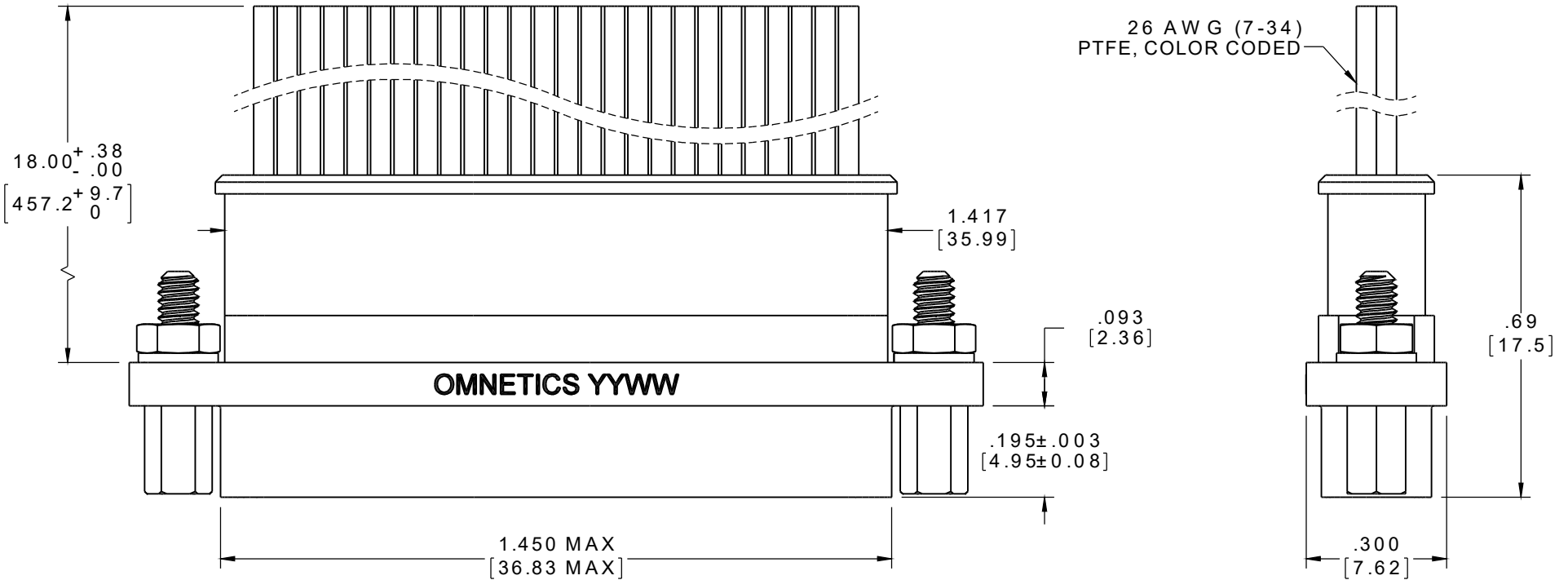
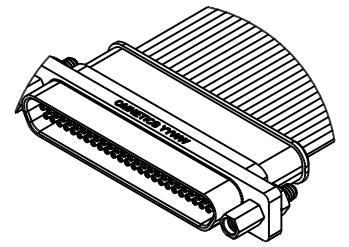
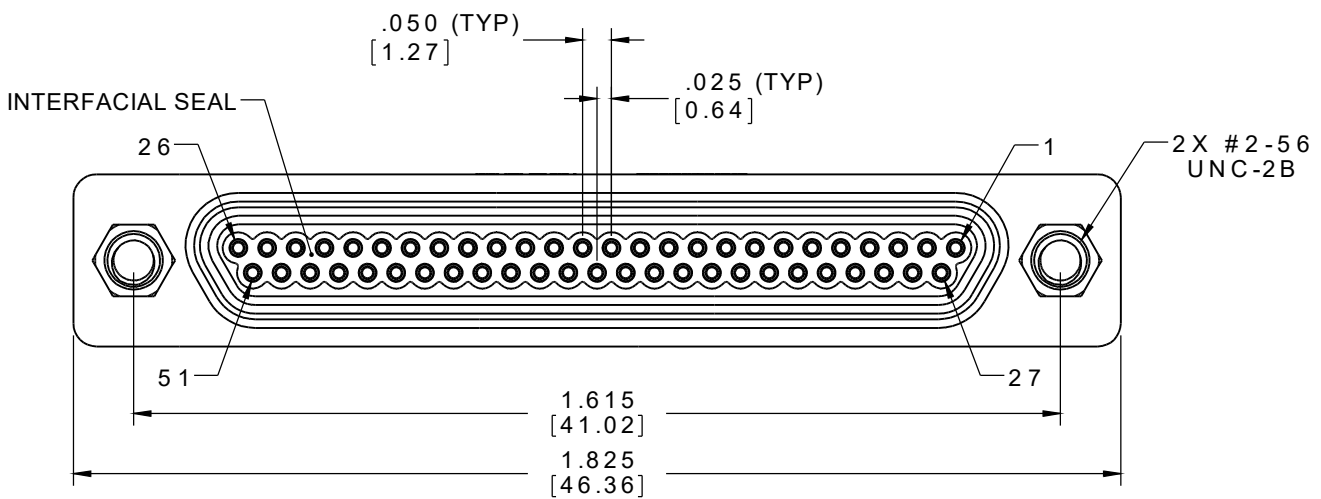


PART NO.	A99279-512	REV	ECO	DATE	APP
		A	102791	08-09-16	HV



26 AWG (7-34)
PTFE, COLOR CODED



ACTUAL SIZE
EXCLUDING WIRE LENGTH

RoHS

NOTE:
DIMENSIONS IN [] ARE IN MILLIMETERS UNLESS OTHERWISE NOTED AND ARE FOR REFERENCE ONLY

MMSD SLDW	THIRD ANGLE	THIS DRAWING CONTAINS CONFIDENTIAL AND PROPRIETARY INFORMATION WHICH IS THE PROPERTY OF OMNETICS CONNECTOR CORP. THIS DOCUMENT MAY NOT, IN WHOLE OR IN PART, BE DUPLICATED, OR DISCLOSED FOR ANY PURPOSE, WITHOUT WRITTEN PERMISSION FROM OMNETICS CONNECTOR CORP.		OMNETICS CONNECTOR CORPORATION 7260 COMMERCE CIRCLE EAST MINNEAPOLIS, MN 55432 WWW.OMNETICS.COM	CAGE CODE 61873		
	-TOLERANCES-	DFTM. HV	DATE 05-31-16		TITLE: (51) SOCKET FEMALE MICRO-D CONNECTOR W/ JACKPOSTS	DWG NO. A99279-512	
	UNLESS OTHERWISE NOTED	CHK'D.	DATE			SHEET 1 OF 2 REV A	
	DIMENSIONS IN INCHES	APP'D.	DATE			SCALE: 3:1	
	2 PL DEC ± .01						
	3 PL DEC ± .005						
	4 PL DEC ± .0005						
	ANGLES ± 1°						