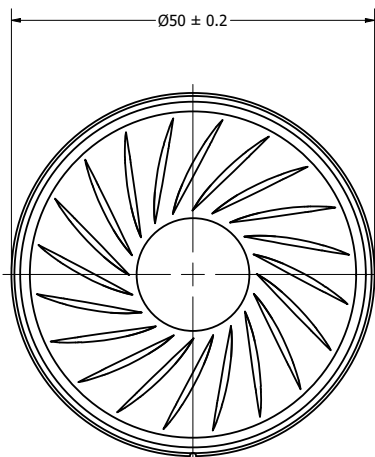
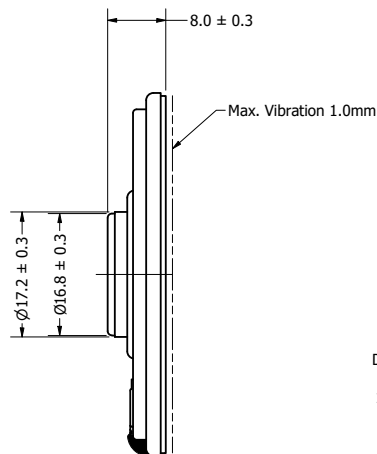


| | | |
|---|-------------------|-----------|
| Part Number: | SM500416-1 | |
| | DRAWN | 5/23/2018 |
| | CJ | |
| | CHECKED | 5/30/2018 |
| | C.H. | |
| Description: | Dynamic Speaker | |
| | APPROVED | 5/30/2018 |
| | C.E. | |
| <small>This document contains data proprietary to DB Unlimited. Any use or reproduction, in any form, without prior written permission of DB Unlimited is prohibited. All terms and conditions can be found at www.dbunlimitedco.com</small> | | |

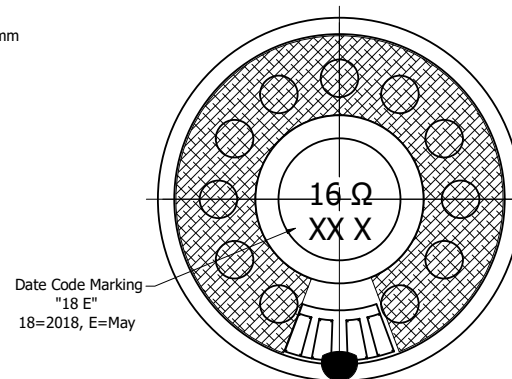
Top View



Side View



Bottom View



| Items | Specifications | Conditions | REVISION HISTORY | | | |
|-----------------------|----------------|-------------------|---|---------------------------|-----------|----------|
| Sound Pressure Level | 97 | dB (@ 10cm), Avg. | REV | DESCRIPTION | DATE | APPROVED |
| Resonant Frequency | 400 | Hz | | Released from Engineering | 5/30/2018 | C.E. |
| Frequency Range | 400 ~ 5,000 | Hz | 1 | Update back magnet detail | 2/3/2018 | C.E. |
| Nominal Power | 0.25 | W | NOTES | | | |
| Max. Power | 0.5 | W | | | | |
| Impedance | 16 | Ω | 1) All dimensions are in mm unless otherwise noted | | | |
| Cone Material | Mylar | | 2) All tolerances are ± 0.5 mm unless otherwise noted | | | |
| Mount Type | Flush Mount | | 3) All parts meet RoHS | | | |
| Storage Temperature | -30 ~ +70 | °C | 4) Subject to change or redrawn without notice | | | |
| Operating Temperature | -20 ~ +60 | °C | | | | |