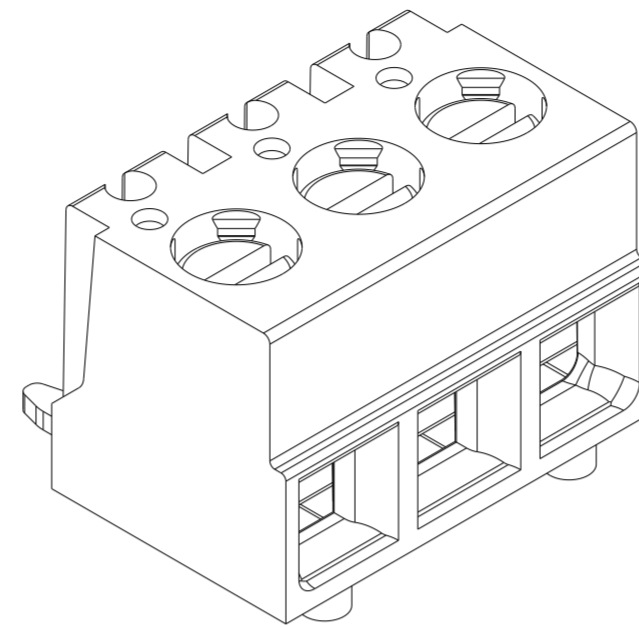
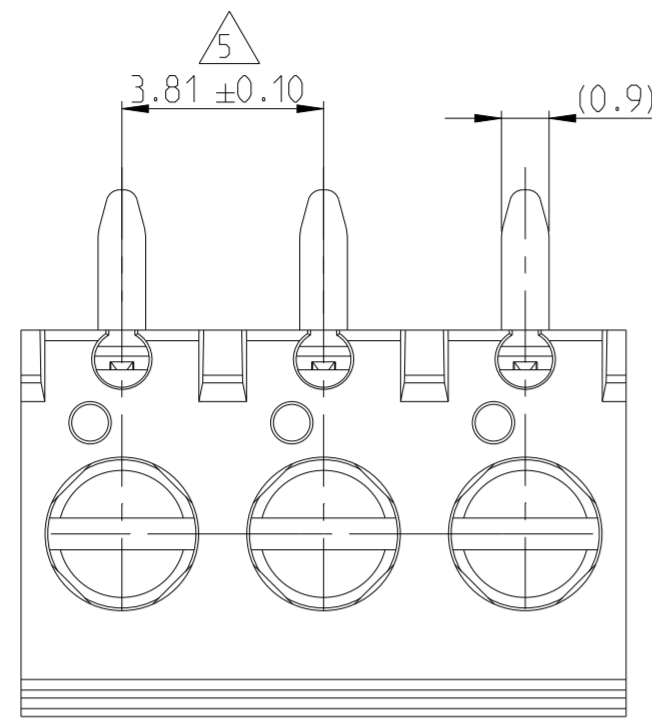
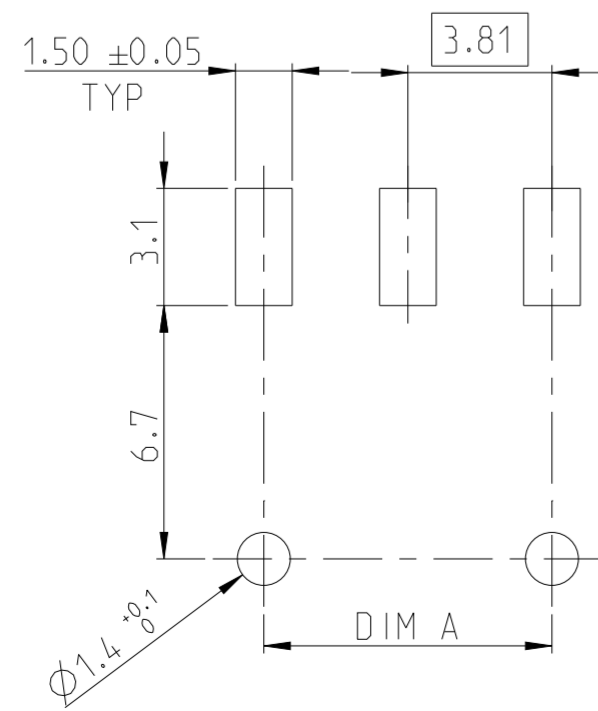
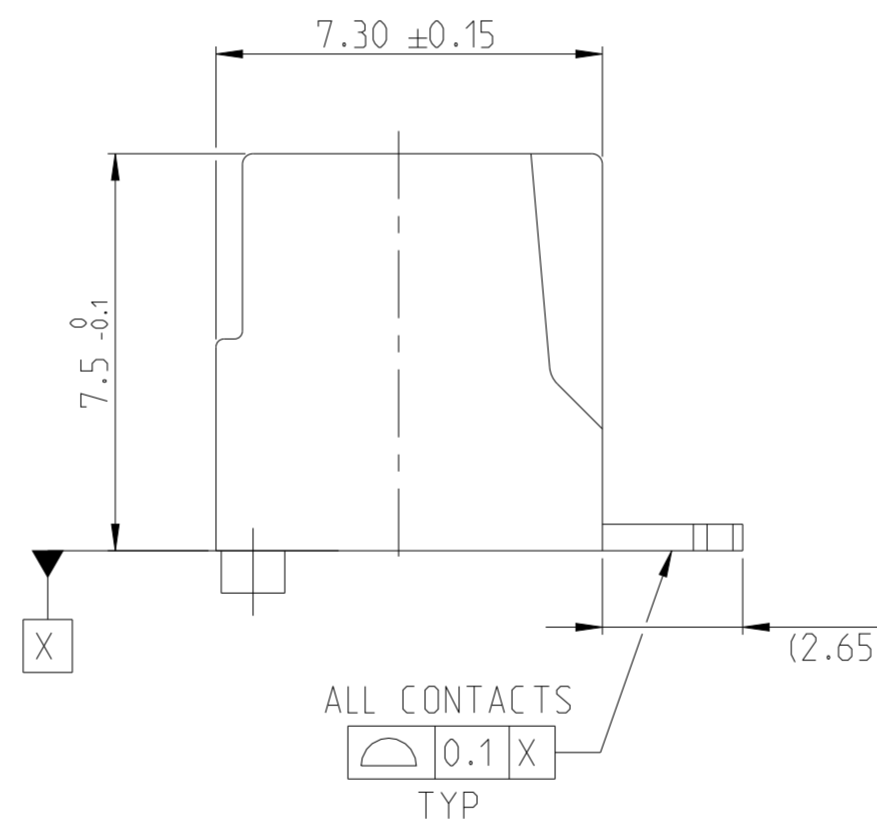
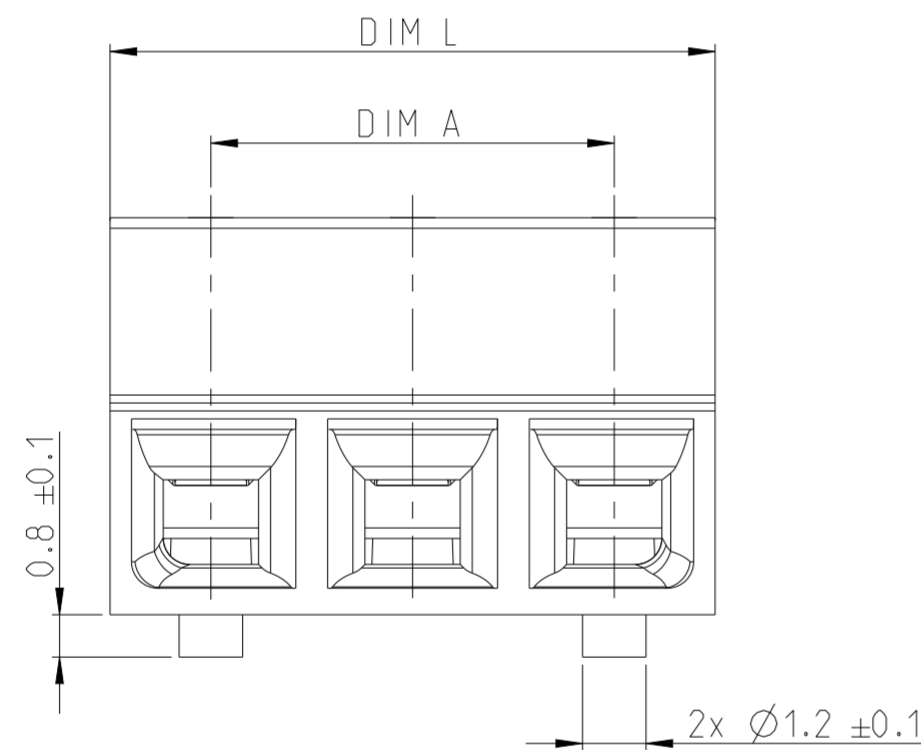


P	LTR	DESCRIPTION	DATE	DWN	APVD
1		PRELIMINARY	22DEC2020	DV	PS
A		PRODUCTION RELEASE	28APR2021	SS	PS
A1		NOTE 7 ADDED. NOTE 2 MODIFIED	23SEP2021	SS	PS



2383941-3 AS SHOWN



RECOMMENDED PCB LAYOUT

NOTES

- MATERIALS & FINISH**

 - HOUSING : HIGH TEMPERATURE PA, UL94 V0, COLOR -BLACK
 - SCREW M2 : COPPER ALLOY, NICKEL PLATED
 - CLAMP : COPPER ALLOY, NICKEL PLATED
 - CONTACT : COPPER ALLOY, NICKEL & TIN PLATED
- MECHANICAL**

 - WIRE STRIPPING LENGTH : 5-6 mm
 - RECOMMENDED/HIGHEST TIGHTENING TORQUE : 0.2/0.25 Nm.
- ELECTRICAL**

 - WIRE RANGE : 18 - 28 AWG
 - MAX. VOLTAGE : 300 V
 - MAX CURRENT : 7 A
 - CONTACT RESISTANCE : <15 m Ohm
 - INSULATION RESISTANCE : >1000 M Ohm (500V DC)
- OPERATING TEMPERATURE RANGE:** -40 °C TO +105 °C
- TOLERANCE NOT CUMULATIVE.
- SCREW CLAMP WILL BE IN CLOSED CONDITION.
- PACKAGING SPEC: 107-160084

41.91		45.72		12	1-2383941-2
38.10		41.91		11	1-2383941-1
34.29		38.10		10	1-2383941-0
30.48	±0.20	34.29	±0.20	9	2383941-9
26.67		30.48		8	2383941-8
22.86		26.67		7	2383941-7
19.05		22.86		6	2383941-6
15.24		19.05		5	2383941-5
11.43	±0.15	15.24	±0.15	4	2383941-4
7.62		11.43		3	2383941-3
3.81	±0.10	7.62		2	2383941-2
DIM A		DIM L		POSITION	TE PN

THIS DRAWING IS A CONTROLLED DOCUMENT.

DIMENSIONS:	TOLERANCES UNLESS OTHERWISE SPECIFIED:	DWN	18DEC2020	TE Connectivity
mm	0 PLC ±	CHK	22DEC2020	
	1 PLC ±0.3	APVD	22DEC2020	
	2 PLC ±0.25	PRASHANTH S		
	3 PLC ±	PRODUCT SPEC	108-160231	NAME
	4 PLC ±	APPLICATION SPEC		TERMINAL BLOCK, SMD MOUNT, 180 DEGREE, 3.81 MM PITCH 7A
MATERIAL	FINISH	WEIGHT	-	SIZE
		CUSTOMER DRAWING		A2
		SCALE	5:1	CAGE CODE
		SHEET	1 OF 1	DRAWING NO
		REV	A1	RESTRICTED TO