

This document is the property of Amphenol Corporation and is delivered on the express condition that is not to be disclosed, reproduced or used, in whole or in part, for manufacture or sale by anyone other than Amphenol Corporation without its prior consent, and that no right is granted to disclose or to use any information in this document.

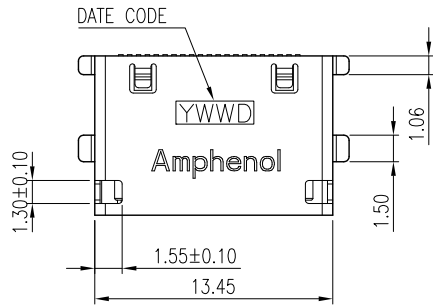
The marking on this product doesn't contain environmental hazardous material and must follow one or more specifications per Material Specification SS-00259 for Sony GP compliant or per directive 2011/65/EC for RoHS compliant or per IEC 61249-2-21 for Halogen Free compliant.



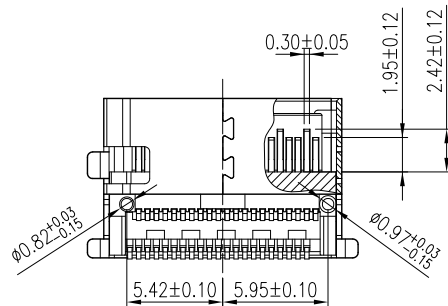
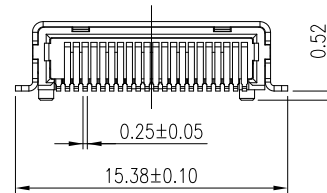
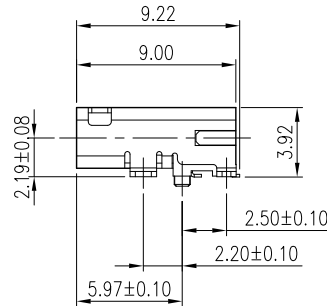
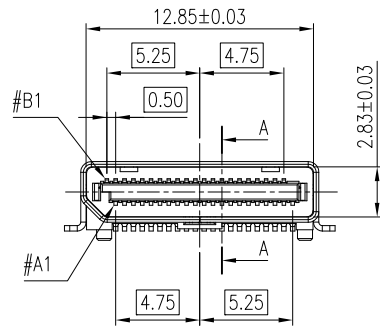
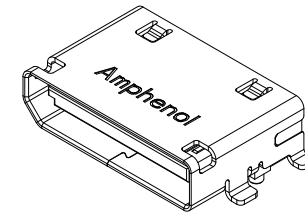
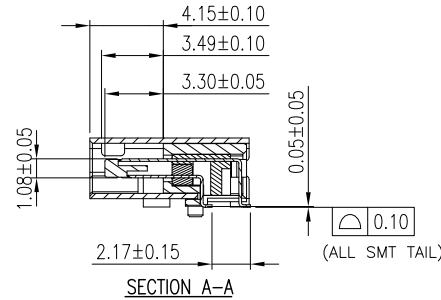
ORIGINAL



REVISIONS				
SYM	ECN No.	DESCRIPTION	DATE	BY
A	NE-16159	RELEASE TO PRODUCTION	06/29/2016	Sondra Sang



DATE CODE  
Y W W D  
1~7: DATE NO.  
12: WEEK NO.  
6: 2016

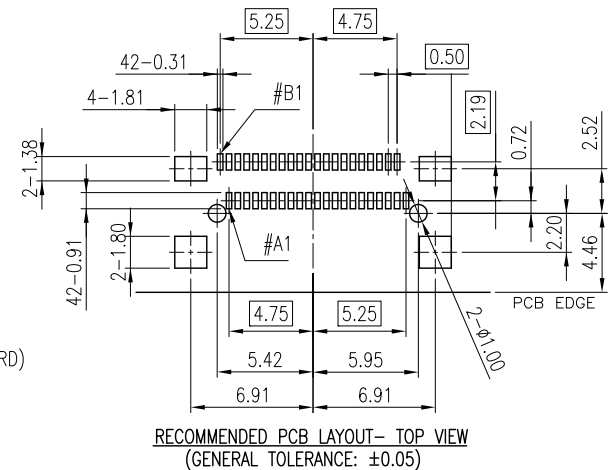


PART NUMBER:  
G14A 421 X 11 X 1 X HR

CONTACT FINISH  
0: GOLD FLASH  
1: 15µ" GOLD  
2: 30µ" GOLD

PACKING METHOD  
1: TRAY  
2: TAPE & REEL (STANDARD)

INSULATOR OPTION  
1: LCP, BLACK  
3: LCP, BLUE  
4: LCP, NATURAL WHITE



NOTES:

- HOUSING: HIGH TEMP. THERMOPLASTIC, UL 94V-0, COLOR- BLACK
- CONTACT: COPPER ALLOY, 0.15mm THICKNESS, SELECTIVE. GOLD PLATED ON CONTACT AREA, 100µ" MATTE TIN PLATED ON SOLDERING TAIL, 50µ" MIN. NICKEL UNDER-PLATED OVERALL
- SHELL: STAINLESS STEEL, 0.30mm THICKNESS, 50µ" MIN. NICKEL PLATED ON THE SOLDERING TAILS
- THIS PRODUCT DOESN'T CONTAIN ENVIRONMENTAL HAZARDOUS MATERIALS PER DIRECTIVE 2011/65/EC FOR RoHS AND PER IEC 61249-2-21 FOR HALOGEN FREE COMPLIANT.

TOLERANCE	APPROVALS	DATE	TITLE	UNIT		SIZE	PART No.
X. X.X ±0.30 X.XX ±0.20 X.XXX ±0.10	DRAWN Sondra Sang	6/29/2016	PCIE OCULINK CONN. RECEPTACLE, R/A SMT	mm	A3	1 OF 1	G14A 421X 11X 1X HR
	CHECKED Chenny Yeh	6/29/2016					
ANGULAR ±1°	APPROVED Hank Hsu	6/29/2016		NA	SHEET	REV. A	G14A421X11X1XHR
UNLESS OTHERWISE SPECIFIED	DWG TYPE CUST DWG	PROJECT CODE T591					