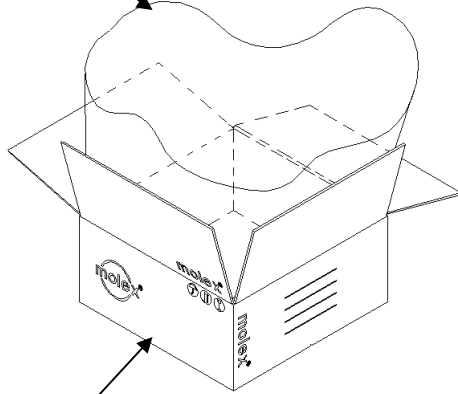


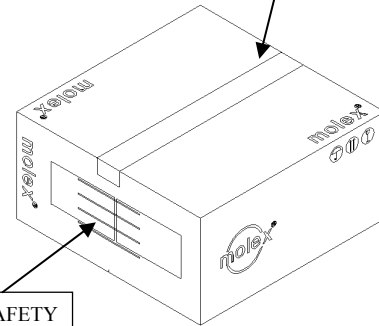


PACKAGING SPECIFICATION

LINER BAG
PART NUMBER 31300-8790
PER ES-40000-7011



ADHESIVE TAPE PER
ES-40000-7013



PRODUCT ID AND SAFETY
LABEL PER ES-40000-7012

CARTON
PART NUMBER 96707-0014
PER ES-40000-7007

- 1) CARTON BOTTOMS CLOSED WITH STAPLES TOPS CLOSED WITH 2" WIDE TAPE.
- 2) BAGS LINE THE 96707-0014 BOX AND MAY BE CLOSED WITH A REUSABLE CLIP.
- 3) MOISTURIZATION ON PARTS WHEN NOTED (2% BY WEIGHT PER BAG)

CIRCUIT SIZE	MOISTURIZE (SEE NOTE 3)	PARTS PER CARTON (SPQ)
2	NO	10,000
3	NO	6,500
4	NO	4,500
5	NO	4,500
6	NO	3,000
7	NO	3,000
8	NO	2,000
9	NO	2,000
10	NO	2,000
11	NO	2,000
12	NO	1,500
13	NO	1,500
14	NO	1,000
15	NO	TBD

REVISION: B	ECR/ECN INFORMATION: EC No: UCP2011-3004 DATE: 2012-01-13	TITLE: BULK PACKAGING SPECIFICATIONS FOR: KK 41695 SERIES	SHEET No. 1 of 1
DOCUMENT NUMBER: PK-41695-001	CREATED / REVISED BY: MKIPPER	CHECKED BY: SSOUSEK	APPROVED BY: FSMITH