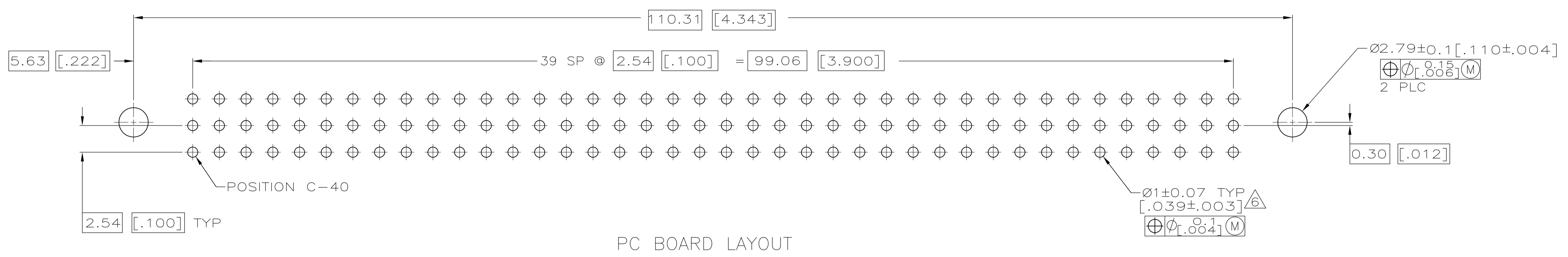
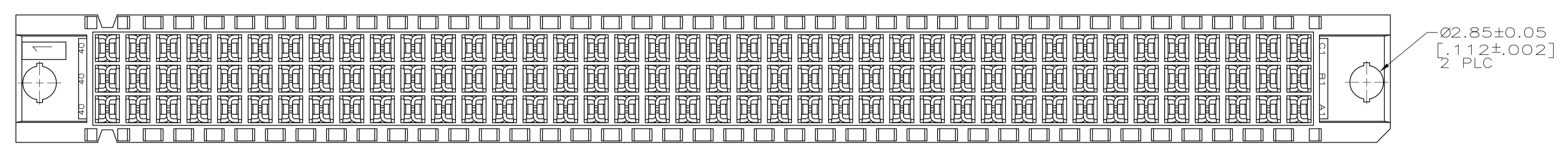
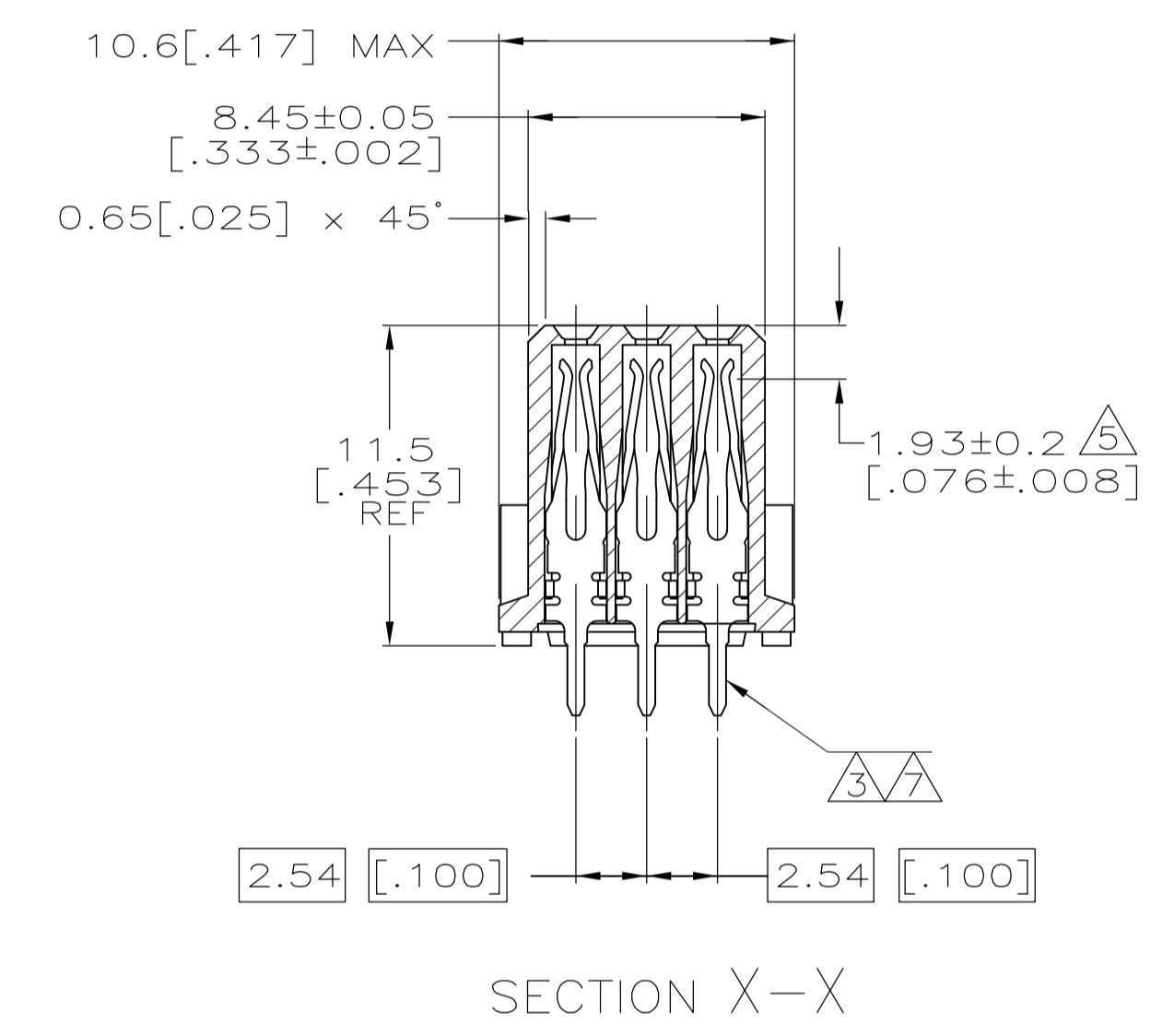
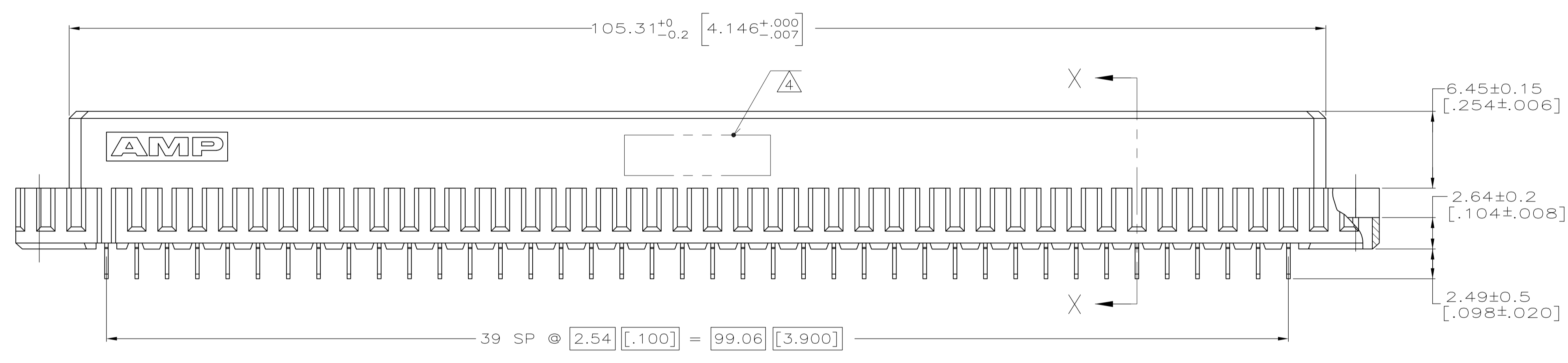
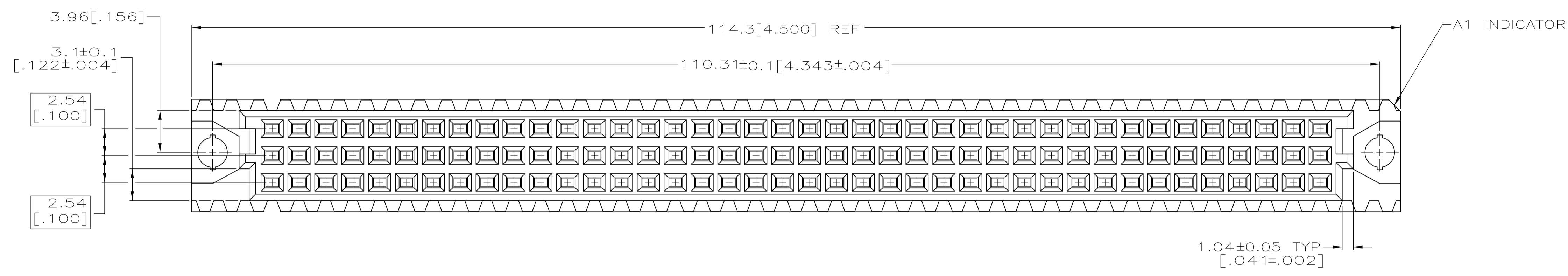


LOC		DIST		REVISIONS			
AD	25	REV	DATE	BY	CHKD	APVD	
0		RELEASED PER EC 0512-0082-05	27MAY05	JDP	AMS		
01		REVISED PER ECO-10-000444	19JAN10	KK	HMR		

- 1 HOUSING MATERIAL: GLASS-FILLED POLYMER.
- 2 CONTACT MATERIAL: COPPER ALLOY.
- 3 CONTACT FINISH: DIN 41612 CLASS 2 IN CONTACT AREA. TIN PLATE ON POSTS.
- 4 PART NUMBER, DATE CODE IDENTIFICATION, CSA LOGO IN THIS APPROXIMATE AREA.
- 5 CONTACT POINT.
- 6 RECOMMENDED HOLE SIZE FOR MANUAL APPLICATION OF CONNECTOR ONTO PC BOARD.
- 7 CONTACT FINISH: DIN 41612 CLASS 3 IN CONTACT AREA. TIN PLATE ON POSTS.
- 8 OBSOLETE PARTS: OBSOLETE CIS STREAMLINING PER D.RENAUD/D.SINISI



REV	DATE	BY	CHKD	APVD	DESCRIPTION	NO. OF LOADED POSITIONS	ASSY PART NUMBER
1	THRU 40	X	X	X	120	-5535097-9	
2	THRU 40	X	X	X	120	5535097-5	
FINISH		POSITIONS LOADED		NO. OF LOADED POSITIONS		ASSY PART NUMBER	
				ROWS LOADED			

THIS DRAWING IS A CONTROLLED DOCUMENT.		DIN J. POLIGNONE 27MAY05		Tyco Electronics Corporation	
DIMENSIONS: mm [INCHES]		CHK A. SHARPE 27MAY05		Harrisburg, PA 17105-3608	
TOLERANCES UNLESS OTHERWISE SPECIFIED:		APVD A. SHARPE 27MAY05		NAME	
0. PLC ± -		PRODUCT SPEC		ASSEMBLY, RECEPTACLE, EUROCARD, TYPE C,	
1. PLC ± -		APPLICATION SPEC		120 POSITION,	
2. PLC ± -		WEIGHT		2.49 [0.98] SOLDER POSTS	
3. PLC ± 0.13 [0.005]		SIZE		SCALE	
4. PLC ± -		CAGE CODE		DRAWING NO	
ANGLES ± -		RESTRICTED TO			
MATERIAL		WEIGHT		A1 00779 C=5535097	
FINISH		CUSTOMER DRAWING		SCALE 4:1 SHEET 1 OF 1 REV 01	