

PART NAME: HUSKY KNOB SCALE: 1:1 DATE: 11/23/88 DR. BY HD

THIS DRAWING IS THE PROPERTY OF DAVIES MOLDING COMPANY, IS SUBMITTED SOLELY AS A DESIGN OR ENGINEERING PROJECT. WE ACCEPT NO RESPONSIBILITY WHATSOEVER FOR THE PRACTICAL APPLICATION OF THE PIECES MADE TO THIS DESIGN.

**DAVIES MOLDING** DESIGNERS & MANUFACTURERS OF KNOBS, HANDLES, CASES & CUSTOM PLASTIC COMPONENTS

P/N 2850-T

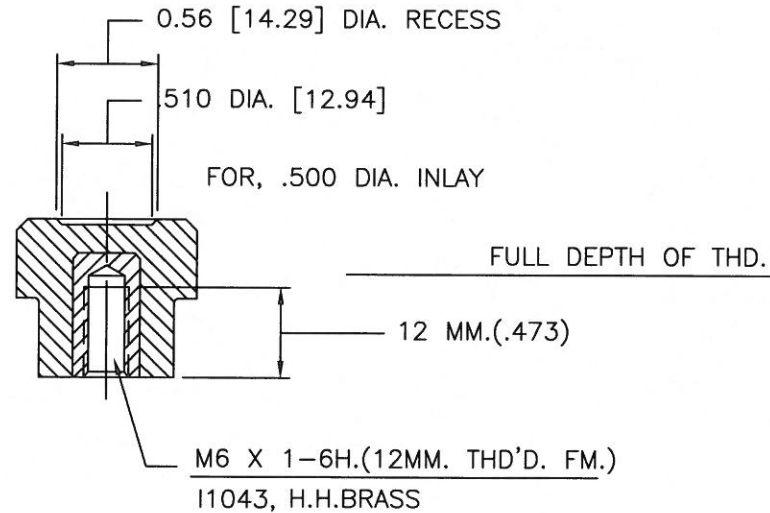
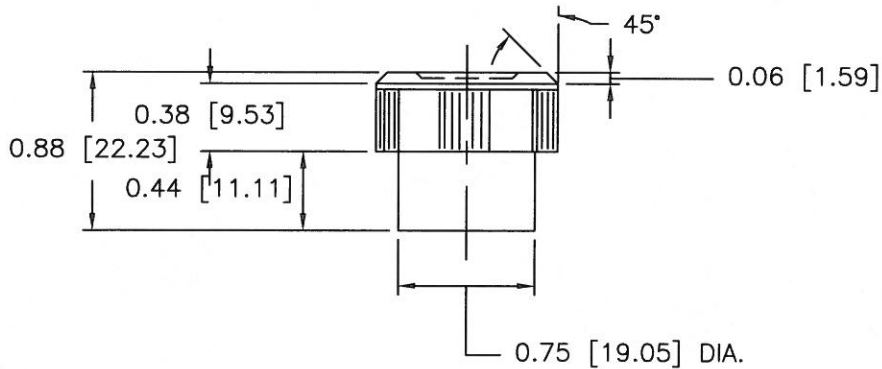
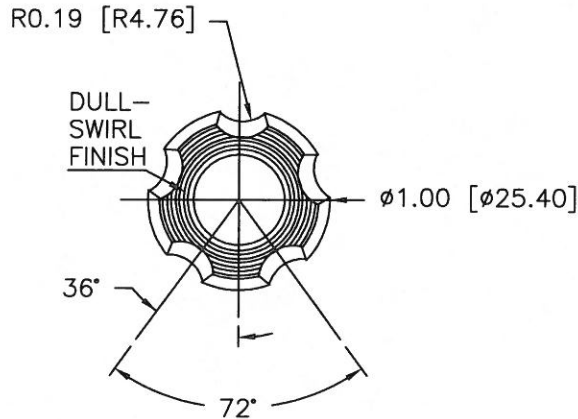
M NO. 3025-2

CAD/REDRAWN : 7/28/94 : HD

NOTE : FOR ALL # 2850 MOLD SET-UPS IN # 3025-2 MOLD FRAME BE SURE SPACER EXTENSIONS ARE MOUNTED UNDER LEG SUPPORTS.

USE ONLY # 3025-2 MOLD FRAME

CAV.	2850
PLUNGER	2850
PIN	3000-D
INSERT	11043
LEG SPACER	2850(4)
EXTENSION	1.693 HIGH
PLUNGER KEY	1/4x1/4x9/16
CAVITY KEY	1/4x1/4x9/16



MATERIAL: G.P. PHENOLIC (B11)  
COLOR: BLACK

TOLERANCES: UNLESS OTHERWISE SPECIFIED	DO NOT SCALE DRAWING				
DECIMALS: X.XXX ± .005 X.XX ± .015	MM: X.XX ± 0.15MM X.X ± 0.4MM				
FRACTIONS ± 1/64	ANG. ± 1°	CHANGES			