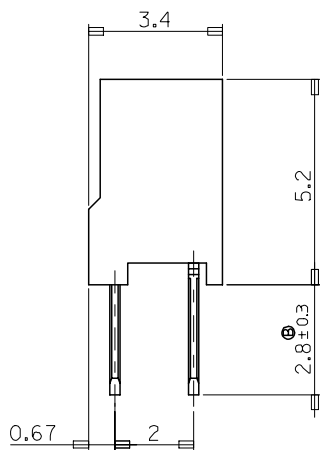
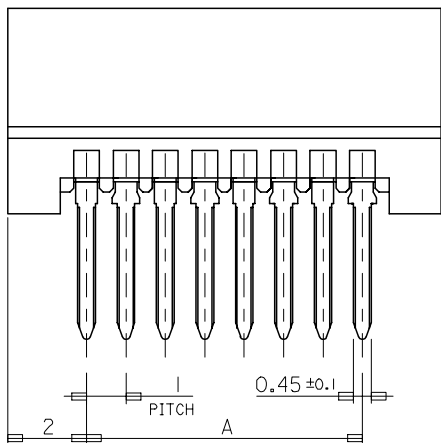
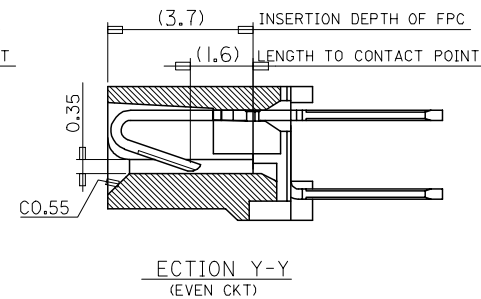
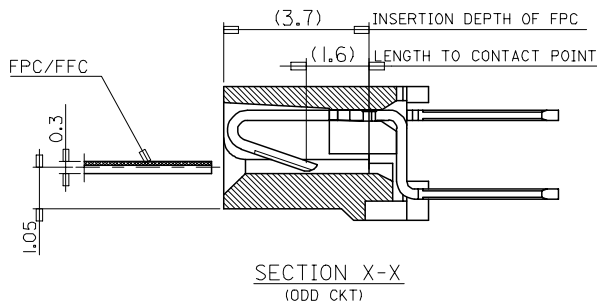
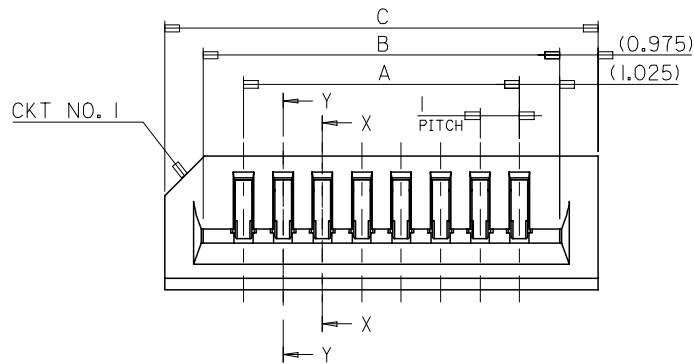


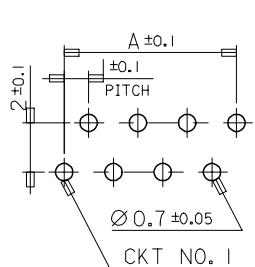
SD-35857-\*\*\*41



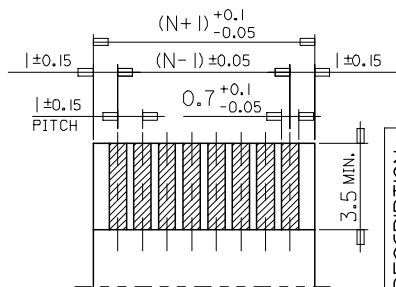
NOTES

- I. MATERIAL
- HOUSING : NYLON66 (UL 94V-0)  
(COLOR:BLACK)
- TERMINAL : PHOSPHOR BRONZE  
TIN-PLATED

33	31.05	29	35857-3041	30
32	30.05	28	-2941	29
31	29.05	27	-2841	28
30	28.05	26	-2741	27
29	27.05	25	-2641	26
28	26.05	24	-2541	25
27	25.05	23	-2441	24
26	24.05	22	-2341	23
25	23.05	21	-2241	22
24	22.05	20	-2141	21
23	21.05	19	-2041	20
22	20.05	18	-1941	19
21	19.05	17	-1841	18
20	18.05	16	-1741	17
19	17.05	15	-1641	16
18	16.05	14	-1541	15
17	15.05	13	-1441	14
16	14.05	12	-1341	13
15	13.05	11	-1241	12
14	12.05	10	-1141	11
13	11.05	9	-1041	10
12	10.05	8	-0941	9
11	9.05	7	-0841	8
10	8.05	6	-0741	7
9	7.05	5	-0641	6
8	6.05	4	-0541	5
7	5.05	3	-0441	4
6	4.05	2	35857-0341	3
C	B	A	ENG. NO.	CKT. NO.



P.C. BOARD LAYOUT  
(MOUNTING SIDE)  
(THK. : 1.6+)



APPLICABLE FPC  
(THK. : 0.3 ± 0.03)

ENTER DESCRIPTION  
EC NO: KOR2007-0095  
DRWN: JHLEE05 2007/02/23  
CHKD: KSKIM 2007/02/23  
APPR: YUNSIKKIM 2007/02/26

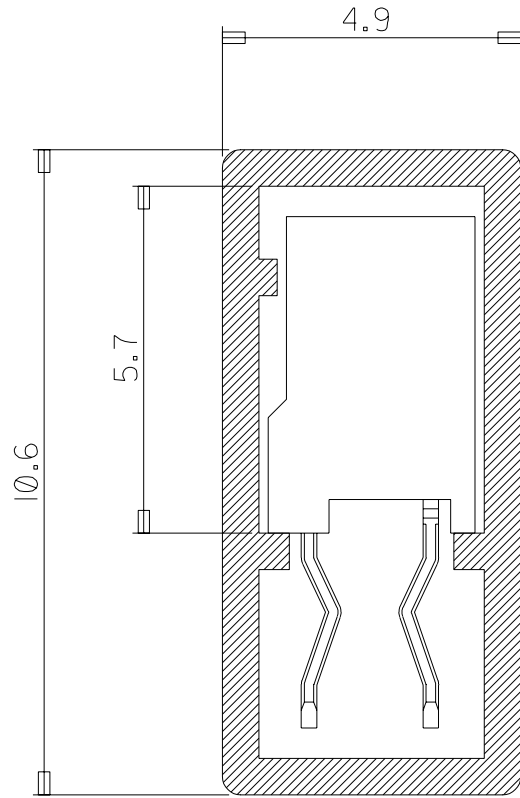
QUALITY SYMBOLS  
▽=0  
△=0

GENERAL TOLERANCES (UNLESS SPECIFIED)	
mm	INCH
4 PLACES	± ---
3 PLACES	± ---
2 PLACES	± ---
1 PLACE	± 0.2
ANGULAR ± 1 °	
DRAFT WHERE APPLICABLE MUST REMAIN WITHIN DIMENSIONS	

DIMENSION STYLE IN/MM  
DRAWN BY HS. SHIN DATE 1999/02/26  
CHECKED BY JK. OH DATE 1999/02/26  
APPROVED BY CW. LEE DATE 1999/02/26  
MATERIAL NO.  
ENTER PART

SCALE 1:1  
DESIGN UNITS METRIC  
THIRD ANGLE PROJECTION  
molex  
DOCUMENT NO. SD-35857-\*\*\*41

1.0 FFC CONN.  
NON-ZIF ST. SERIES  
(03~30 CKTS)  
MOLEX INCORPORATED  
SHEET NO. 1 OF 00  
THIS DRAWING CONTAINS INFORMATION THAT IS PROPRIETARY TO MOLEX INCORPORATED AND SHOULD NOT BE USED WITHOUT WRITTEN PERMISSION



NOTE

1. ENG NO.

HSG ASS'Y	PACKING	SHAPE	
		TAIL	KINK
35857-***11	35857-***19	3.2	0
35857-***21	35857-***29	3.2	X
35857-***31	35857-***39	2.8	0
35857-***41	35857-***49	2.8	X

2. MATERIAL : PVC

3. TUBE LENGTH : 550mm

NEW RELEASED  
 KOR2003-0277  
 HSSHIN 20030630  
 J.K.OH  
 C.W.LEE

3

1

8-1 X

H.S.SHIN 99.2.26

J.K.OH 99.2.26

C.W.LEE 99.2.26

20	22
21	21
	20
22	19
24	18
25	17
27	16
28	15
30	14
32	13
34	12
37	11
40	10
43	9
47	8
52	7
57	6
65	5
74	4
85	3
Q'TY	CKT

15	30
16	29
	28
17	27
	26
18	25
19	24
	23
Q'TY	CKT

X

TUBE PACKING  
 FOR 35857 SERIES