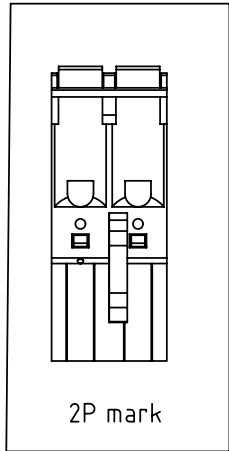


SIGN	DATE	DESCRIPTION	APPROVER
△			
THIS IS CAD DRAWING, DO NOT REVISE MANUALLY!!!			



Dimension

DIM A	N×5.08
DIM B	(N-1)×5.08

N=Number of poles

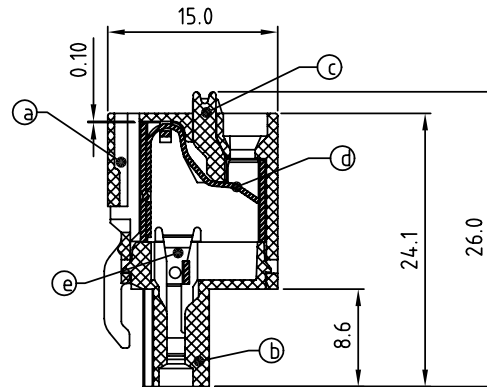
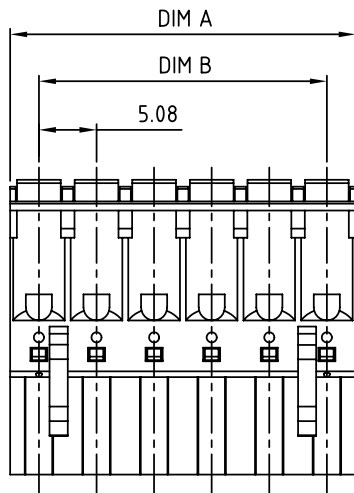
POLES	TOL
2p-6p	±0.15
7p-12p	±0.20
13p-16p	±0.30
17p-24p	±0.40

Material

- Item a Terminal body:Thermoplastic (UL94V-0)
- Item b Terminal body:Thermoplastic (UL94V-0)
- Item c Terminal lever:Thermoplastic (UL94V-0)
- Item d Wire guard:Stainless Steel
- Item e Female contact:PhBz (CuSn) Tin plated

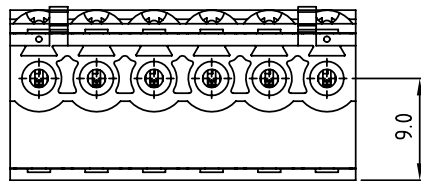
Electrical cULus

- Voltage rating:300V
- Current rating:10A
- Solid wire(AWG):12-26
- Stranded wire(AWG):12-26
- Wire strip length: 9-10mm
- Withstanding Voltage:1.6KV
- Operating temperature:-40°C to +115°C



HW xx 50 x 1 xxxx G

02	2 CONTACTS	0	Black	0000 Standard @ Logo	RoHS
03	3 CONTACTS	5	Green	000A Standard ANY Logo	Pb<40,000ppm
...	...	6	Blue	Any special item by customer request,	
24	24 CONTACTS	8	Grey	please contact sales department.	



ANYTEK

CUSTOMER COPY

ALL RIGHTS RESERVED. REPRODUCTION OR ISSUE TO THIRD PARTIES IN ANY FORM WHATSOEVER IS NOT PERMITTED WITHOUT WRITTEN AUTHORITY FROM THE PROPRIETOR. PROPERTY OF ANYTEK TECHNOLOGY CO., LTD

TITLE		HW 5.08 Series Contact on up side			
PART NO.		HWxx50x1xxxxG		DWG NO.	8HW0201
APPROVED	CHECKED	DESIGNED	DRAWN	CUST NO.	
		Runner 2010.04.06	Runner 2010.04.06		
					Tolerance
					X. ±0.50
				UNIT: mm	X.X ±0.30
				SCALE: NONE	X.XX ±0.10
				SHEET: 01/01	X° ±1°
				REV.: B	