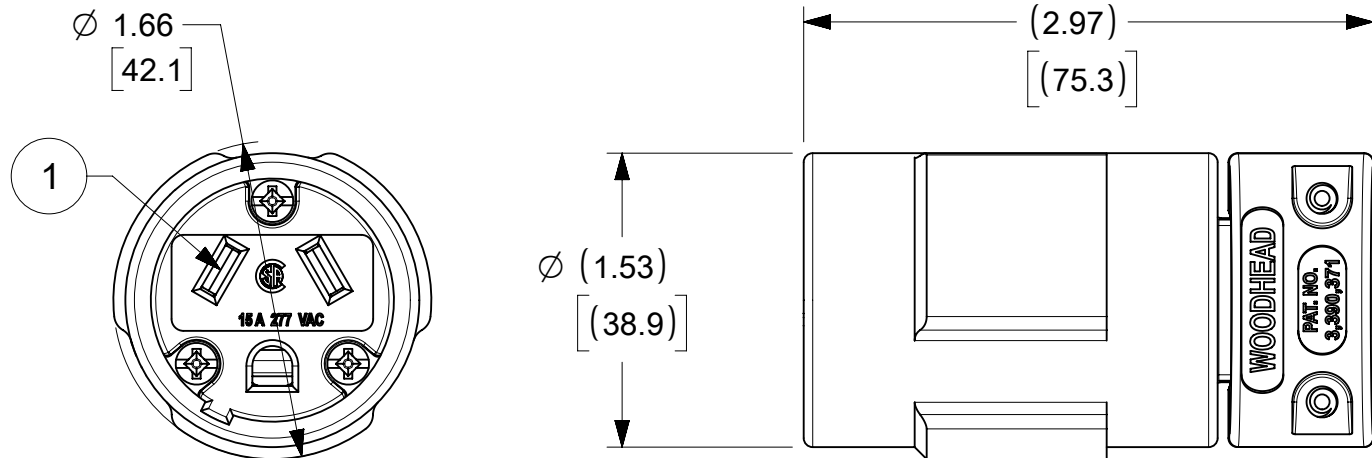
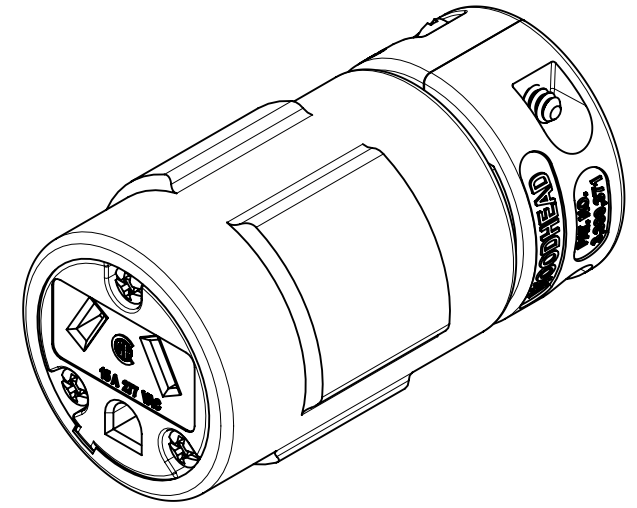
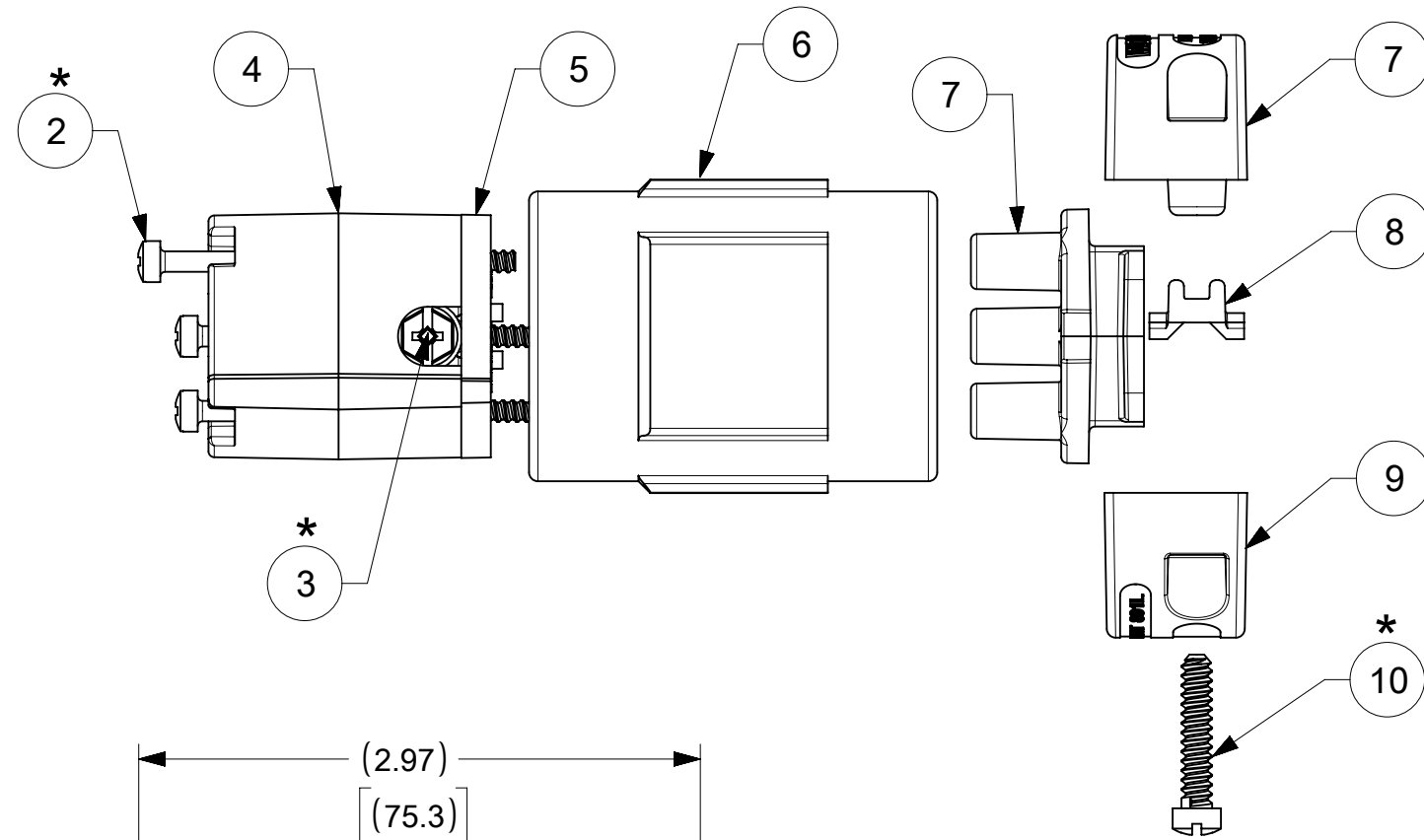
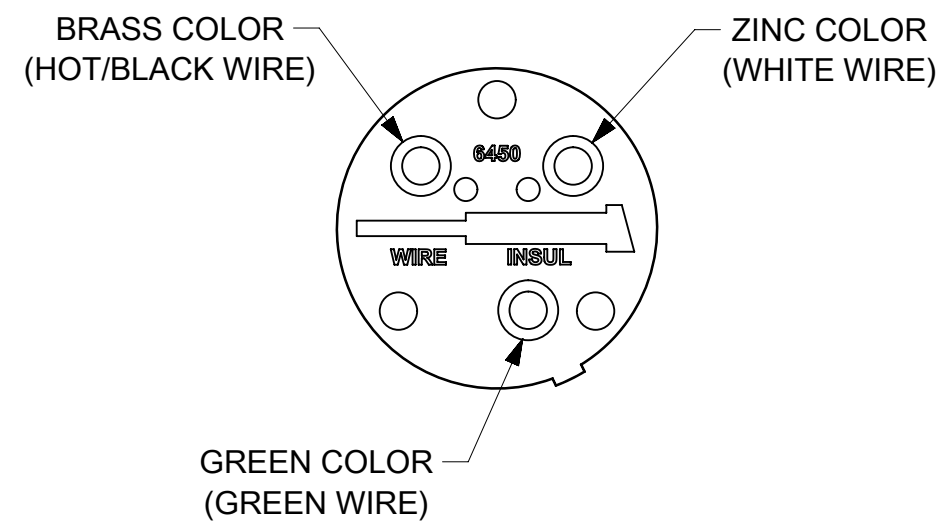


| | | |
|-------------|--------------|--------|
| ORDER NO. | WOODHEAD NO. | COLOR |
| 130141-0030 | 1534 | YELLOW |



WIRING TERMINATION



* FOR SCREW TORQUE, SEE ASSEMBLY INSTRUCTIONS

| ITEM NO. | DESCRIPTIONS | MATERIAL | QTY. |
|----------|--------------------------------|----------------------|------|
| 1 | CLIP ASSEMBLY | BRASS, NICKEL PLATED | 3 |
| 2 | RETAINING SCREWS | STAINLESS STEEL | 3 |
| 3 | TERMINAL SCREWS/CLAMP ASSEMBLY | BRASS, ZINC PLATED | 3 |
| 4 | INSERT | NYLON | 1 |
| 5 | TERMINAL COVER | POLYCARBONATE | 1 |
| 6 | CONNECTOR HUSK | RUBBER | 1 |
| 7 | CLAMP SUPPORT | NYLON | 1 |
| 8 | CLAMP CORD MALE | NYLON | 1 |
| 9 | CLAMP CORD INSERT | NYLON | 1 |
| 10 | CLAMP CORD FEMALE | NYLON | 1 |
| 11 | RETAINING SCREWS | STEEL ZINC PLATED | 2 |

| | | | | | | | |
|---|--|---|--|---|--|--|--|
| SYMBOLS | | THIS DRAWING CONTAINS INFORMATION THAT IS PROPRIETARY TO MOLEX ELECTRONIC TECHNOLOGIES, LLC AND SHOULD NOT BE USED WITHOUT WRITTEN PERMISSION | | CURRENT REV DESC: NEW RELEASE | | | |
| DIMENSION UNITS: INCH/MM SCALE: NTS | | GENERAL TOLERANCES (UNLESS SPECIFIED) | | EC NO: 643354 DRWN: VHANDI 2019/06/14 CHK'D: DNGUYEN62 2020/06/29 APPR: HKNEELAND 2020/09/02 | | | |
| 4 PLACES ± 3 PLACES ± 2 PLACES ± 0.13 ± 0.01 1 PLACE ± 0.25 ± 0.02 0 PLACES ± | | ANGULAR TOL ± 0.5° | | INITIAL REVISION: DRWN: VHANDI 2019/06/14 APPR: HKNEELAND 2020/09/02 | | PRODUCT CUSTOMER DRAWING DOCUMENT NUMBER: 1301410030 DOC TYPE: PSD DOC PART: 000 REVISION: A | |
| DRAFT WHERE APPLICABLE MUST REMAIN WITHIN DIMENSIONS | | THIRD ANGLE PROJECTION | | DRAWING: B-SIZE SERIES: 130141 | | MATERIAL NUMBER: SEE TABLE CUSTOMER: GENERAL MARKET SHEET NUMBER: 1 OF 1 | |