

HVI

1/4" x 1-1/4" In-line water resistant fuse holder

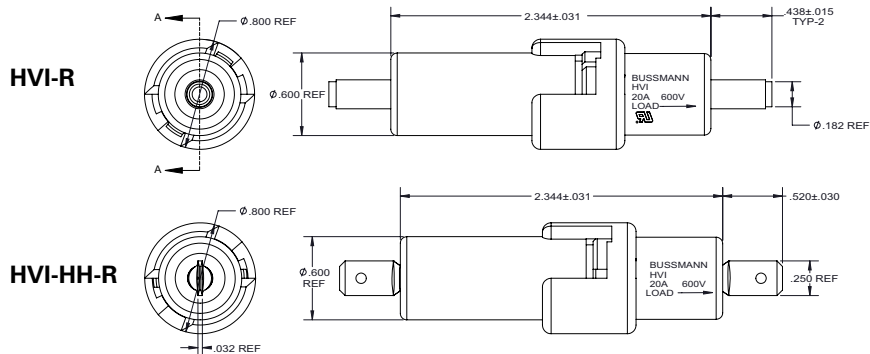


Product features

- For 1/4" x 1-1/4" (6.3 mm x 32 mm) fuses
- IP54 rating for exposed locations
- Accepts #16 to #12 AWG copper wire
- Copper crimp lead material
- High temperature, flame retardant, phenolic meets UL 94 HB
- Crimp or 1/4" quick connect terminals
- In-line connection
- Recommended crimp tools:
 - Thomas & Betts – ERG4002
 - Channellock No. 909
 - Thomas & Betts WT-112M

Dimensions–Inches

Drawing not to scale



Life Support Policy: Eaton does not authorize the use of any of its products for use in life support devices or systems without the express written approval of an officer of the Company. Life support systems are devices which support or sustain life, and whose failure to perform, when properly used in accordance with instructions for use provided in the labeling, can be reasonably expected to result in significant injury to the user.

Eaton reserves the right, without notice, to change design or construction of any products and to discontinue or limit distribution of any products. Eaton also reserves the right to change or update, without notice, any technical information contained in this bulletin.

Eaton
Electronics Division
1000 Eaton Boulevard
Cleveland, OH 44122
United States
Eaton.com/electronics

© 2020 Eaton
All Rights Reserved
Printed in USA
Publication No. 11124 BU-MC20106
June 2020

Ordering codes

Specify the packaging code prefix before the part number

Packaging prefixes

- Blank (10 parts in a carton)
- BK- (20 parts in a carton)

Agency information

- UL Recognized: File number: E14853, (HVI-R)

General specifications

- Temperature rating (RTI): +150 °C
- IP54 rating for exposed locations

Product specifications

Part number	Voltage rating (V)	Ampere rating (A)	Body material	Terminal
HVI-R	600	20	Phenolic	Crimp
HVI-HH-R	600	20	Phenolic	1/4" quick connect