

THIS DRAWING IS UNPUBLISHED. RELEASED FOR PUBLICATION
 © COPYRIGHT - By - ALL RIGHTS RESERVED.

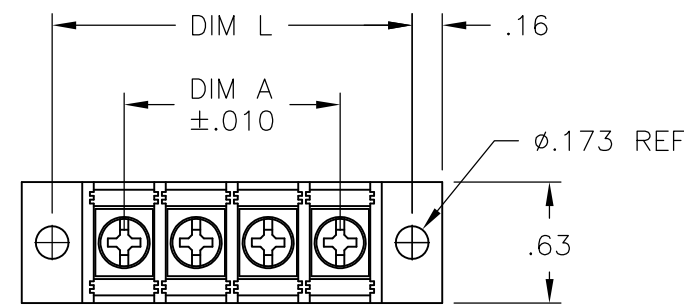
LOC	DIST	REVISIONS			
P	LTR	DESCRIPTION	DATE	DWN	APVD
	G4	REVISED PER ECO-11-004917	11MAR11	RK	HMR

MATERIAL:
 HOUSING: THERMOPLASTIC, UL94V-0, BLACK.
 TERMINALS: BRIGHT TIN OVER COPPER ALLOY.
 SCREWS: #6-32 STEEL, ZINC PLATING W/ CLEAR CHROMATE.(UNLESS OTHERWISE STATED.)
 PITCH (TERMINAL SPACING): .375"

ELECTRICAL:
 RATED CURRENT UL/CSA:
 CLASS C: 20A, 300V
 CLASS D: 5A, 600V
 WIRE RANGE: 12-22 AWG

MECHANICAL:
 RECOMMENDED TORQUE: 7 IN-LB
 OPERATING TEMP.: 105°C MAX

- ① SCREWS ARE STAINLESS STEEL.
- ② SEE FIGURE.
- ③ SCREWS ARE NICKEL PLATED BRASS.
- ④ OBSOLETE PARTS: OBSOLETE CIS STREAMLINING PER D.RENAUD/D.SINISI

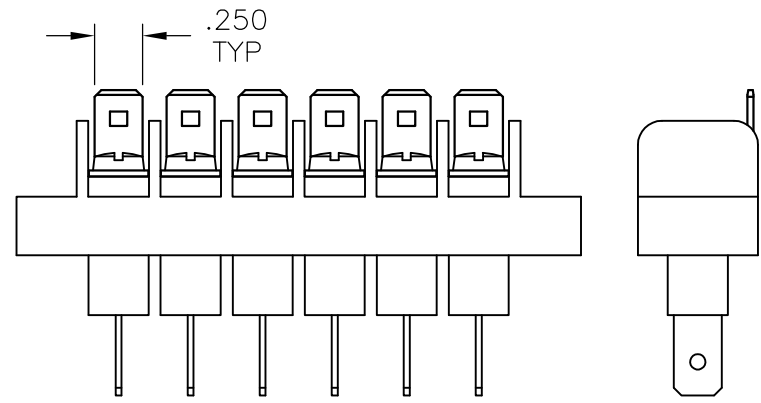


DIM. L	DIM. A	NO. OF POS.	CATALOG NUMBER	PART NO.
9.000	8.250	23	JC6-Q307-23	1546700-9
① 8.625	7.875	22	JC6-Q307-22-226	1776007-8
8.625	7.875	22	JC6-Q307-22	1546700-8
8.250	7.500	21	JC6-Q307-21	1546700-7
7.875	7.125	20	JC6-Q307-20	1546700-6
7.500	6.750	19	JC6-Q307-19	1546700-5
① 7.125	6.375	18	JC6-Q307-18-225	1776007-7
7.125	6.375	18	JC6-Q307-18	2-796985-1
6.750	6.000	17	JC6-Q307-17	1546700-4
① ④ OBSOLETE 6.375	5.625	16	JC6-Q307-16-197	1776007-4
6.375	5.625	16	JC6-Q307-16	6-1437666-1
6.000	5.250	15	JC6-Q307-15	6-1437665-1
① ④ OBSOLETE 5.625	4.875	14	JC6-Q307-14-195	1776007-2
5.625	4.875	14	JC6-Q307-14	1546700-3
5.250	4.500	13	JC6-Q307-13	1546700-2
4.875	4.125	12	JC6-Q305-12	4-796985-0
4.875	4.125	12	JC6-Q307-12	6-1437665-0
4.500	3.750	11	JC6-Q307-11	1546700-1
4.125	3.375	10	JC6-Q307-10	5-1437665-9
3.750	3.000	9	JC6-Q307-09	5-1437665-8
① ④ OBSOLETE 3.375	2.625	8	JC6-Q307-08-196	1776007-3
3.375	2.625	8	JC6-Q307-08	5-1437665-7
3.000	2.250	7	JC6-Q307-07	5-1437665-6
② 2.625	1.875	6	JC6-Q307-06-269	1-1776007-0
② ④ OBSOLETE 2.625	1.875	6	JC6-Q307-06-206	1776007-6
2.625	1.875	6	JC6-Q307-06-203	1776007-5
2.625	1.875	6	JC6-Q307-06	5-1437665-5
① ④ OBSOLETE 2.250	1.500	5	JC6-Q307-05-194	1776007-4
2.250	1.500	5	JC6-Q307-05	5-1437665-4
③ 1.875	1.125	4	JC6-Q305-04	1776007-9
1.875	1.125	4	JC6-Q307-04	5-1437665-3
1.500	.750	3	JC6-Q307-03	5-1437665-2
1.125	.375	2	JC6-Q307-02	5-1437665-1

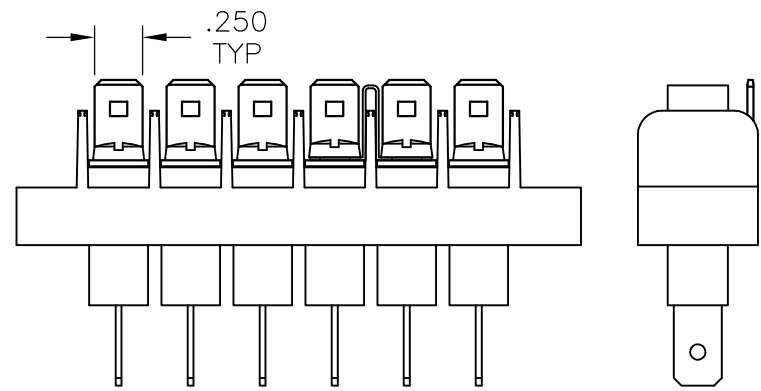
THIS DRAWING IS A CONTROLLED DOCUMENT.		DWN S SCHLEGEL 5/27/03	STE TE Connectivity	
DIMENSIONS: INCHES		CHK S YODER 5/27/03		
TOLERANCES UNLESS OTHERWISE SPECIFIED:		APVD S YODER 5/27/03	NAME	
0 PLC ± -		PRODUCT SPEC	JC6-Q307-XX ASSEMBLY	
1 PLC ± -		APPLICATION SPEC	RESTRICTED TO	
2 PLC ± .01		WEIGHT -	SIZE A3	CAGE CODE 00779
3 PLC ± .005		MATERIAL -	DRAWING NO C-5-1437665-1	
4 PLC ± -			SCALE NTS SHEET 1 OF 2 REV G4	
ANGLES ± -		CUSTOMER DRAWING		
FINISH -				

THIS DRAWING IS UNPUBLISHED. RELEASED FOR PUBLICATION
 © COPYRIGHT - By - ALL RIGHTS RESERVED.

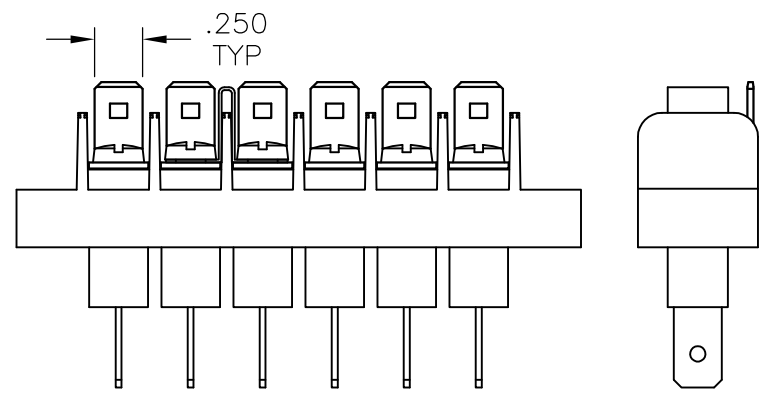
LOC	DIST	REVISIONS			
P	LTR	DESCRIPTION	DATE	DWN	APVD
FT	0	-	SEE SHEET 1	-	-




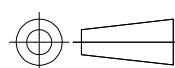
~~1776007-5~~ Δ 4 OBSOLETE



~~1776007-6~~ Δ 4 OBSOLETE



1-1776007-0

THIS DRAWING IS A CONTROLLED DOCUMENT.		DWN S SCHLEGEL 5/27/03	 TE Connectivity			
DIMENSIONS: INCHES		CHK S YODER 5/27/03			NAME	
		APVD S YODER 5/27/03				
TOLERANCES UNLESS OTHERWISE SPECIFIED:		PRODUCT SPEC	JC6-Q307-XX ASSEMBLY			
0 PLC ± -		APPLICATION SPEC	SIZE	CAGE CODE	DRAWING NO	RESTRICTED TO
1 PLC ± -		WEIGHT -	A3 00779		C-5-1437665-1	-
2 PLC ± .01		CUSTOMER DRAWING				
3 PLC ± .005		SCALE NTS	SHEET 2 OF 2		REV G4	
4 PLC ± -						
ANGLES ± -						
MATERIAL -						
FINISH -						