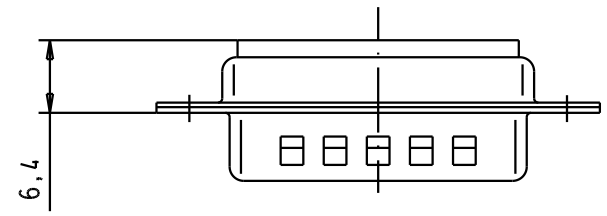
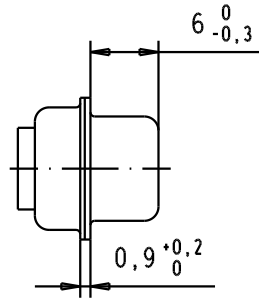
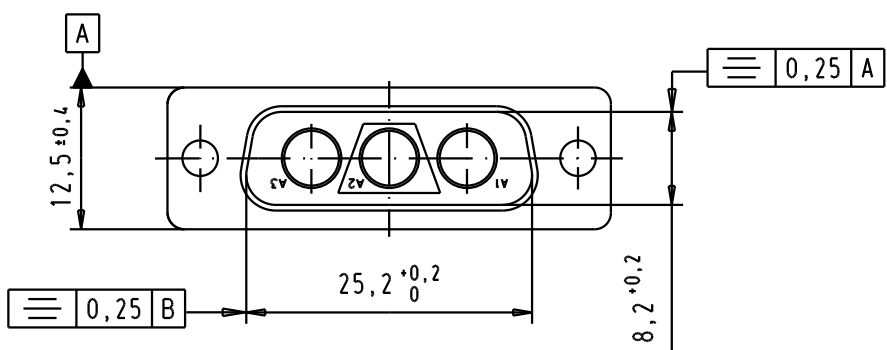
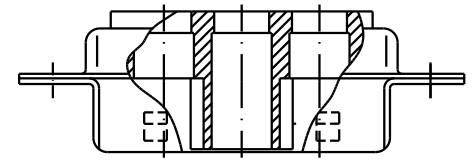
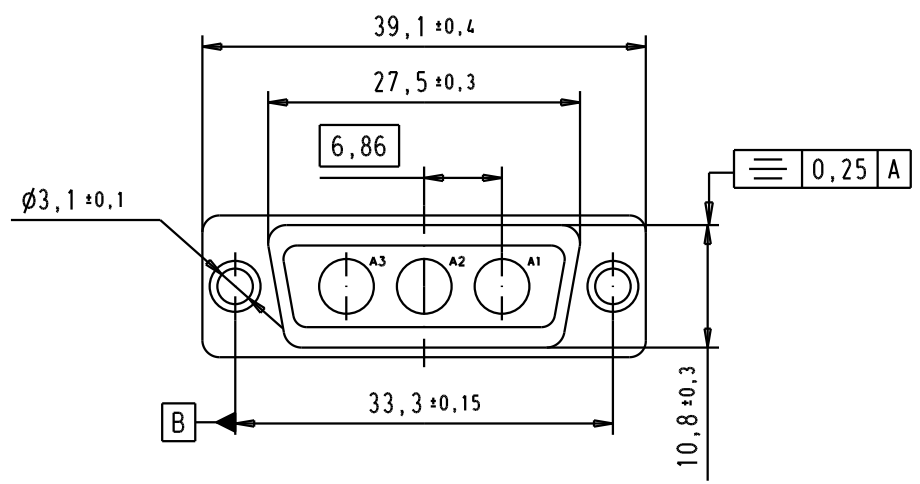
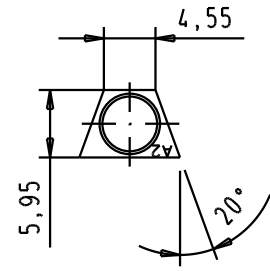


5 4 3 2 1



detail : coding



D

C

B

A

| | | | | | | | | | | |
|--------------------|--------------|-------|----------|------|-------------------------------|------|------|--|--|----------------------------|
| 09 69 210 0633.500 | Non magnetic | | | | Detail. | Dat. | Name | All Dim. in mm Orig. Size DIN A 4 | D-Sub, male, 3W3 without contacts, with tin plated shell and dimples. | Maßstab/ Scale 1,5:1 |
| | | | | | Insp. | | | | | |
| | | 32119 | 23/06/04 | AC | Stand. | | | | | |
| | | 31519 | 03/07/03 | TCP | | | | | | |
| 09 69 210 0633 | | 29742 | 12/11/01 | AF | HARTING EURL F-95972 Paris | | | | TB 09 69 210 0633 | Blatt/ Page 1 / 1 |
| Part number | | Mod. | Dat. | Name | | | | | | |