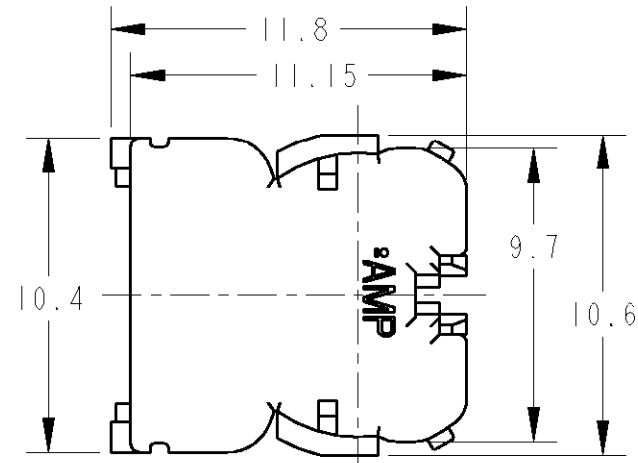
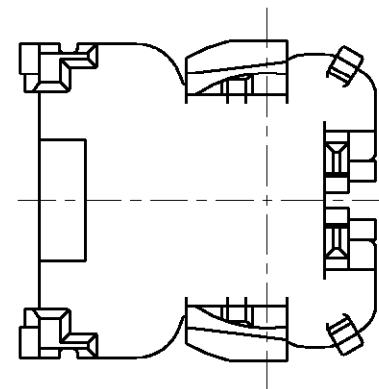
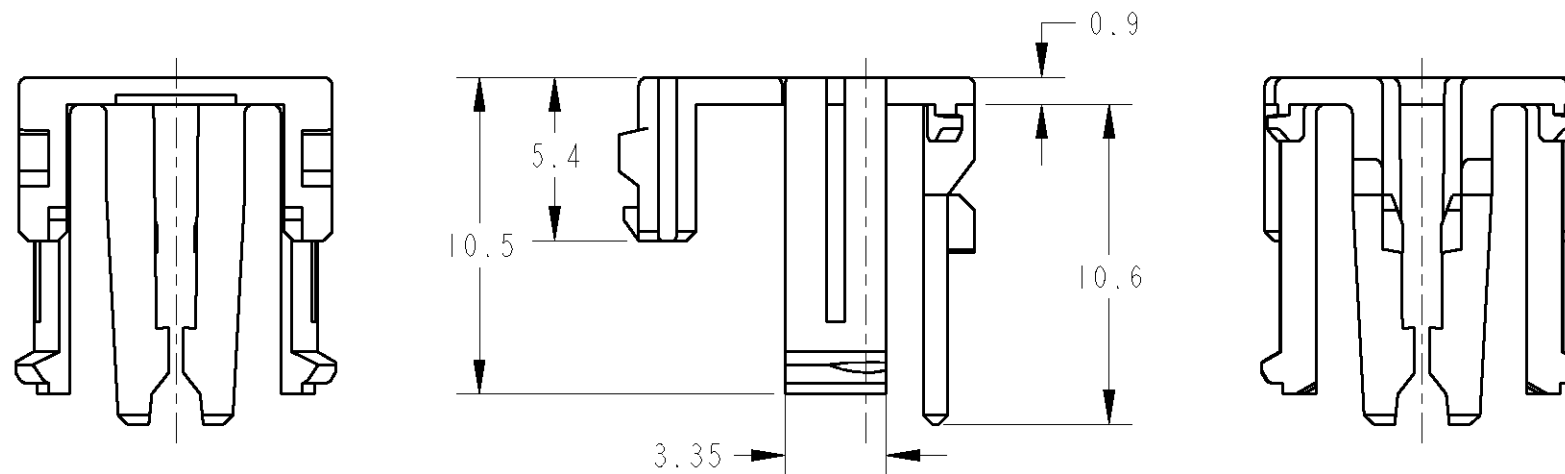


THIS DRAWING IS UNPUBLISHED. RELEASED FOR PUBLICATION 2000
 © COPYRIGHT 2000 BY TYCO ELECTRONICS CORPORATION. ALL RIGHTS RESERVED.

LOC	DIST	REVISIONS						
J	-	P	LTR	DESCRIPTION	ECN	DATE	DWN	APVD
		0		RELEASED	FJ00-1865-00	30NOV2000	T.H	N.S



- 1: AS SHOWN
 - 1: 本図



1. THIS PRODUCT SHOULD BE USED WITH THE IIDIA SQUIB CONNECTOR SLIM TYPE PLUG HOUSING(P/N:1376688).
 2. INSTRUCTION SHEET:411-5973.
1. 本製品は、IIDIA SQUIB CONNECTOR SLIM TYPE PLUG HOUSING (P/N:1376688)を装着して使用する。
 2. 取扱説明書:411-5973

<small>THIS DRAWING IS A CONTROLLED DOCUMENT FOR TYCO ELECTRONICS CORPORATION IT IS SUBJECT TO CHANGE AND THE CONTROLLING ENGINEERING ORGANIZATION SHOULD BE CONTACTED FOR THE LATEST REVISION.</small>		DWN	30NOV2000		Tyco Electronics AMP K.K. Kawasaki, Japan		
DIMENSIONS: 単位: 概 mm		CHK	30NOV2000				
		APVD	30NOV2000				
TOLERANCES UNLESS OTHERWISE SPECIFIED: ±0.2 0-PLC ± 1-PLC ±0.1 2-PLC ±0.01 3-PLC ±0.001 4-PLC ±0.0001 ANGLES ±1'00"		PRODUCT SPEC	108-5679		NAME	IIDIA SQUIB CONNECTOR SLIM TYPE LOCKING BUTTON	
MATERIAL	PBTG30	FINISH	BLACK		APPLICATION SPEC	-	
		WEIGHT	0.2g		取付適用規格	-	
		CUSTOMER DRAWING		SIZE	A3	CAGE CODE	00779
				DRAWING NO	C-1376689		RESTRICTED TO
				SCALE	4:1		SHEET
						OF	1
						REV	0