

3 A peak 800 kHz fixed-frequency PWM synchronous step-down evaluation board with enable on/off based on the ST1S40IPHR

Data brief



Features

- Input voltage V_{in} = 4 V to 18 V
- Output voltage V_{out} = 3.3 V
- Maximum output current: 3 A
- Switching frequency: 800 kHz
- Short-circuit protected
- RoHS compliant

Description

The STEVAL-ISA082V1, based on the ST1S40IPHR, is an internally compensated 800 kHz fixed-frequency PWM synchronous stepdown converter evaluation board.

The ST1S40 operates from 4.0 V to 18.0 V input, while it regulates an output voltage as low as 0.8 V and up to V_{IN} (100% duty cycle).

The ST1S40 integrates a 95 m Ω high-side switch and a 69 m Ω synchronous rectifier allowing very high efficiency with very low output voltage.

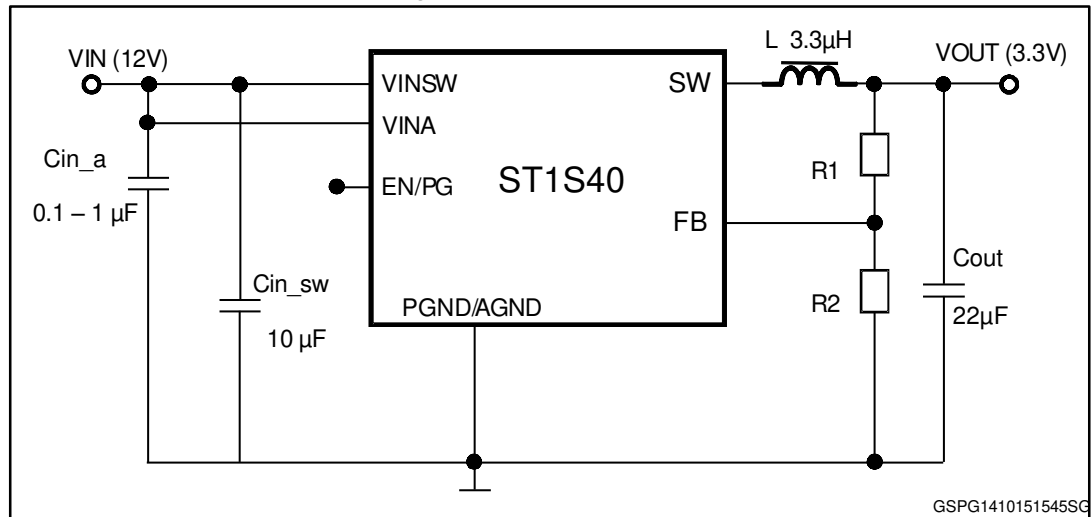
The peak current mode control with internal compensation delivers a very compact solution with a minimum component count.

The ST1S40 is protected through cycle-by-cycle current limiting in case of overload and is also protected by a current foldback function with frequency reduction in case of short-circuit.

The device is available with an enable on/off function.

1 Schematic diagram

Figure 1: Circuit schematic



2 Revision history

Table 1: Document revision history

Date	Version	Changes
27-Sep-2011	1	Initial release.
15-Oct-2015	2	Updated title on the cover page.

IMPORTANT NOTICE – PLEASE READ CAREFULLY

STMicroelectronics NV and its subsidiaries ("ST") reserve the right to make changes, corrections, enhancements, modifications, and improvements to ST products and/or to this document at any time without notice. Purchasers should obtain the latest relevant information on ST products before placing orders. ST products are sold pursuant to ST's terms and conditions of sale in place at the time of order acknowledgement.

Purchasers are solely responsible for the choice, selection, and use of ST products and ST assumes no liability for application assistance or the design of Purchasers' products.

No license, express or implied, to any intellectual property right is granted by ST herein.

Resale of ST products with provisions different from the information set forth herein shall void any warranty granted by ST for such product.

ST and the ST logo are trademarks of ST. All other product or service names are the property of their respective owners.

Information in this document supersedes and replaces information previously supplied in any prior versions of this document.

© 2015 STMicroelectronics – All rights reserved