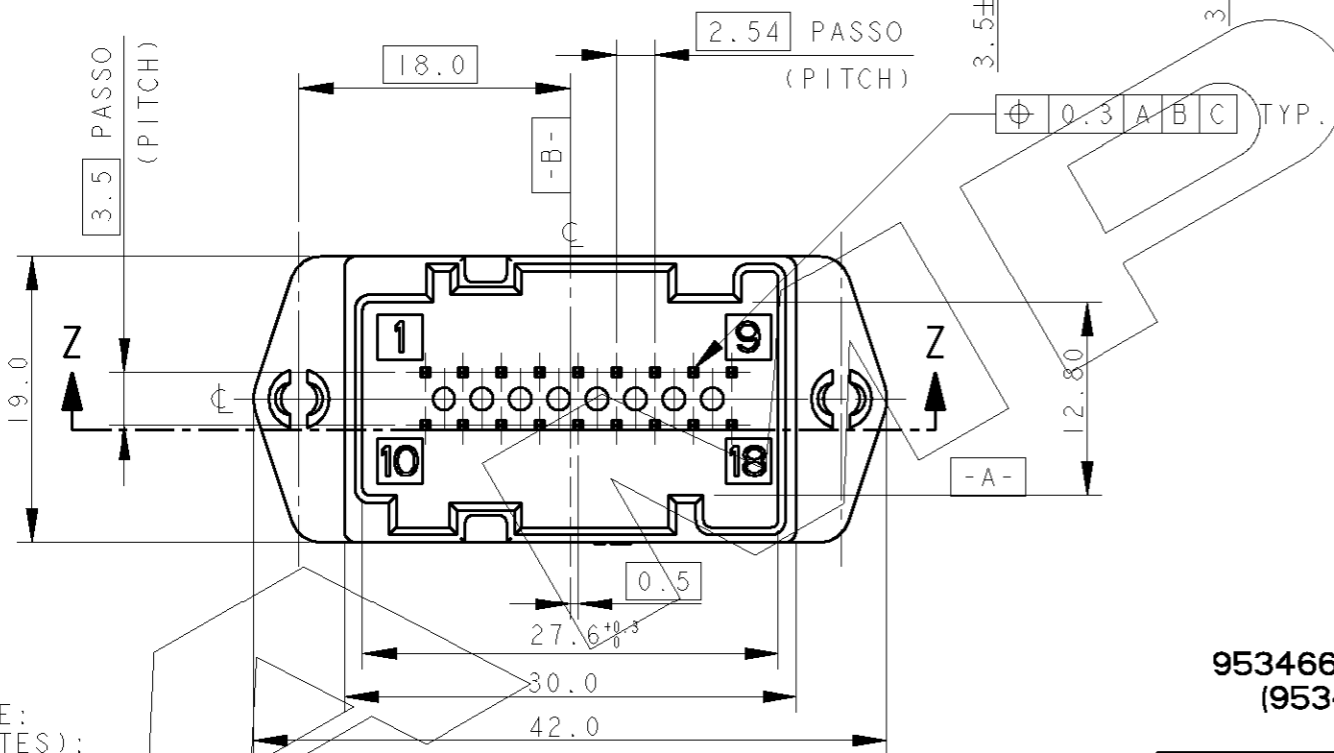
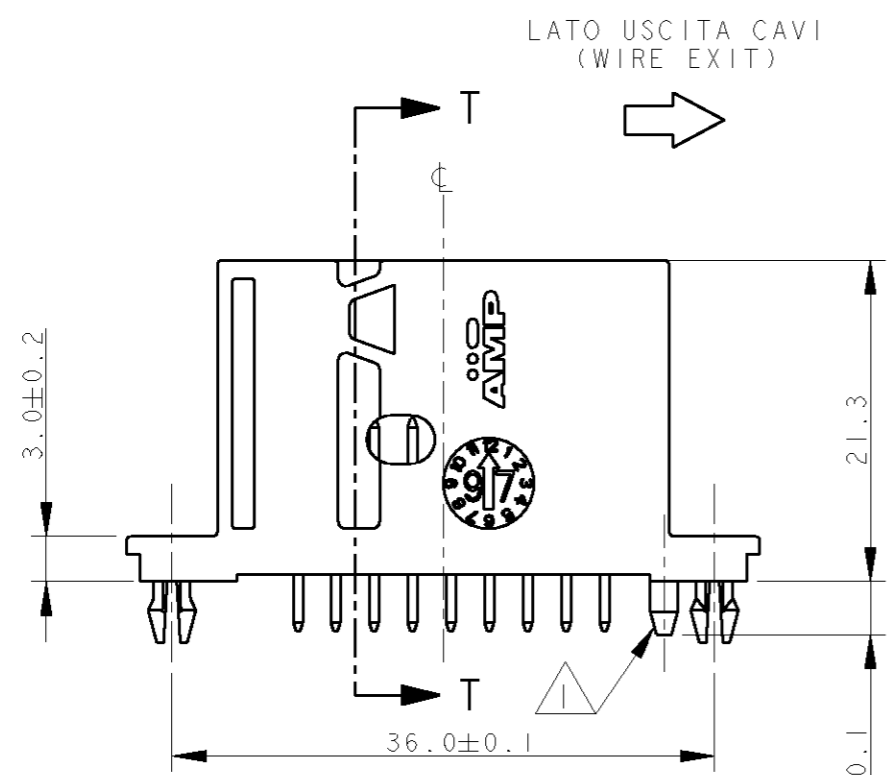


THIS DRAWING IS UNPUBLISHED. QUESTO DISEGNO NON DEVE ESSERE DIVULGATO O RIPRODOTTO. RELEASED FOR PUBLICATION. E' CONSENTITA LA DIVULGAZIONE. .19  
 © COPYRIGHT 19 BY AMP INCORPORATED. ALL RIGHTS RESERVED. TUTTI I DIRITTI SONO RISERVATI

LOC	DIST	P	LTR REV	REVISIONS REVISIONI	DESCRIPTION DESCRIZIONE	DATE DATA	DWN DIS.	APVD APP.
1	-			A	PRIMA EMISSIONE CON BOARD LOCK SOLO (FIRST ISSUE WITH BOARD LOCK ONLY) ERA: 97-51375, (WAS: 97-51375)	26-5-98	J.L.	
				B	42.0 WAS 41.0	28-9-98	A.D	
				C	CHANGE BOARD-LOCK DIMENSIONS	08-3-99	JLQ	
				D	REMOVE PN MARKING	29-9-99	JLQ	
				E	ADD NEW CODING	29-5-00	EM	



953466-1 COME MOSTRATO (953466-1 AS SHOWN)

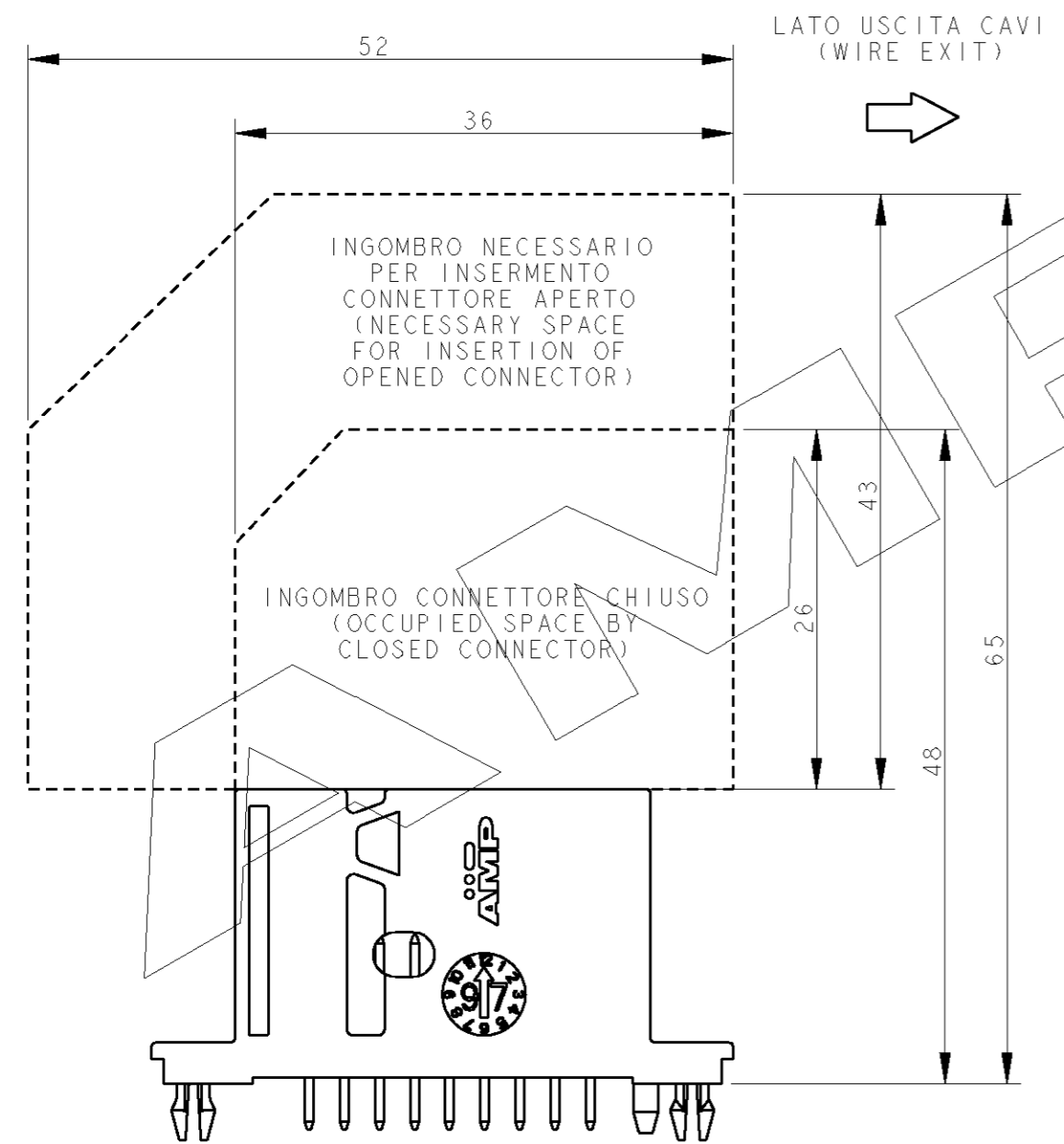
- NOTE: (NOTES):
- PERNO DI POLARIZZAZIONE (CODING PIN)
  - DAL PIN 1 AL 9: CONNETTORE IDC  
DAL PIN 10 AL 18: CONNETTORE CRIMP  
(FROM PIN 1 TO 9: IDC CONNECTOR)  
(FROM PIN 10 TO 18: CRIMP CONNECTOR)
  - FORZA DI RITENZIONE BOARD LOCK SU CIRCUITO STAMPATO : 20 N MIN.  
(RETENTION FORCE OF BOARD LOCK SYSTEM ON PRINTED CIRCUIT : 20 N MIN.)

THIS DRAWING IS A CONTROLLED DOCUMENT FOR AMP INCORPORATED. IT IS SUBJECT TO CHANGE AND THE CONTROLLING ENGINEERING ORGANIZATION SHOULD BE CONTACTED FOR THE LATEST REVISION. QUESTO DISEGNO E' UN DOCUMENTO DI PROPRIETA' E RESPONSABILITA' DELL'AMP INCORPORATED. E' SOGGETTO A VARIAZIONI. PER OTTENERE L'ULTIMA REVISIONE DEL DISEGNO CONTATTARE L'UFFICIO TECNICO RESPONSABILE.		DWN /DIS. 30 SEPT. 97 O. CANUTO CHK /CONT. 30 SEPT. 97 A. BRUNI APVD /APP. 17 JUNE 98 JJ REV II		<b>AMP</b> AMP DE FRANCE 95301 PONTOISE	
DIMENSIONS: DIMENSIONI: mm 		TOLERANCES UNLESS OTHERWISE SPECIFIED: TOLLERANZE: SE NON DIVERSAMENTE SPECIFICATO 0 PLC /DEC ±0.3 1 PLC /DEC ±0.3 2 PLC /DEC ±0.3 3 PLC /DEC ± 4 PLC /DEC ± ANGLES /ANGOLI ±2		NAME: 18 POS. MOS HEADER SIZE: A3 CAGE CODE: 00779 DRAWING NO: C=953466 NUMERO:	
MATERIAL: SEE SHEET 2 FINISH: SEE SHEET 2		WEIGHT: 5.5 g PESO:		RESTRICTED TO:	
CUSTOMER DRAWING		DISEGNO PER CLIENTE SOLO PER RIFERIMENTO		SCALE: 2:1 SHEET: FOGLIO 1 OF 3 REV: E	

THIS DRAWING IS UNPUBLISHED. QUESTO DISEGNO NON DEVE ESSERE DIVULGATO O RIPRODOTTO. RELEASED FOR PUBLICATION. E' CONSENTITA LA DIVULGAZIONE. .19  
 © COPYRIGHT 19 BY AMP INCORPORATED. ALL RIGHTS RESERVED. TUTTI I DIRITTI SONO RISERVATI

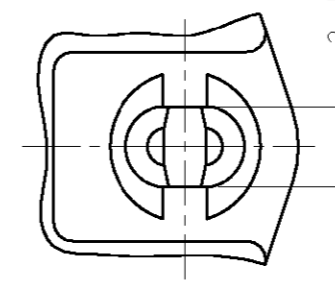
LOC	DIST	P	LTR REV	REVISIONS REVISIONI	DATE DATA	DWN DIS.	APVD APP.
1	-	-	-	DESCRIPTION DESCRIZIONE	-	-	-
				SEE SHEET 1			

P/N	MATERIALE (MATERIAL)	RAPPRESENTAZIONE GRAFICA DELLE POLARIZZAZIONI (CODING KEY DETAIL)	RAPPRESENTAZIONE 3D (3D VIEW)	CONNESSIONE (CONNECTION)	CONTROPARTE CORAZZA (COUNTERPART SHELL)
953466-1	PBT+C.V. COL. NERO (PBT+G.F. COL. BLACK) TAB IN BRONZO STAGNATO (TAB:BRONZE TIN PLATED)			STRUMENTI DI BORDO (ON BOARD INSTRUMENTS)  RLANCETTA COMANDI (AUXILIARY CONTROL BOX)	284136-1  284136-2

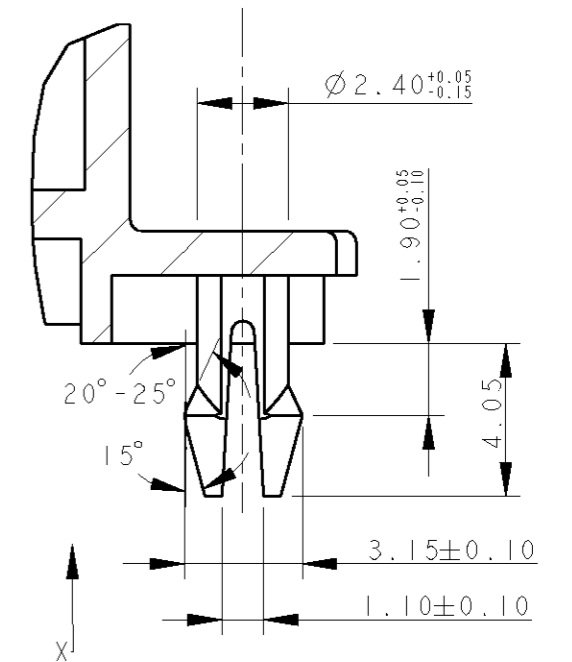


DETTAGLI DEL SISTEMA "BOARD LOCK" (DETAILS OF BOARD LOCK SYSTEM)

VISTA DA X (VIEW FROM X)  
SCALE 5:1



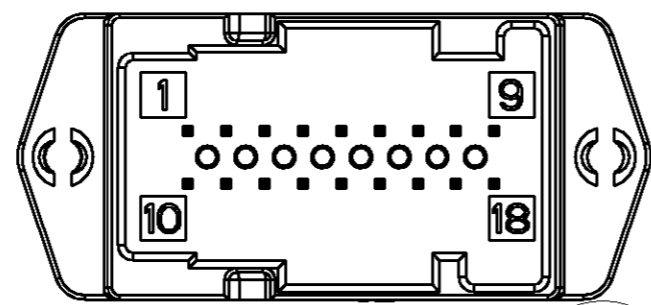
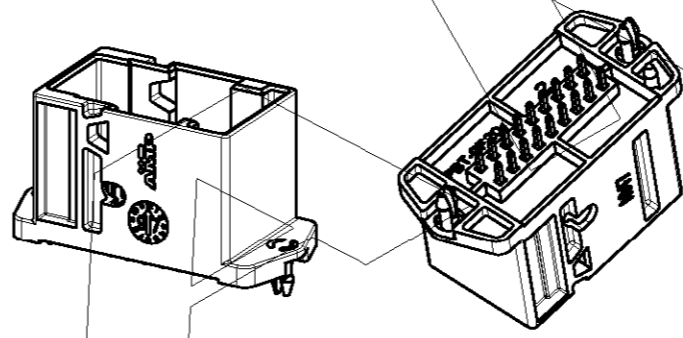
SECTION Z-Z  
SCALE 5:1



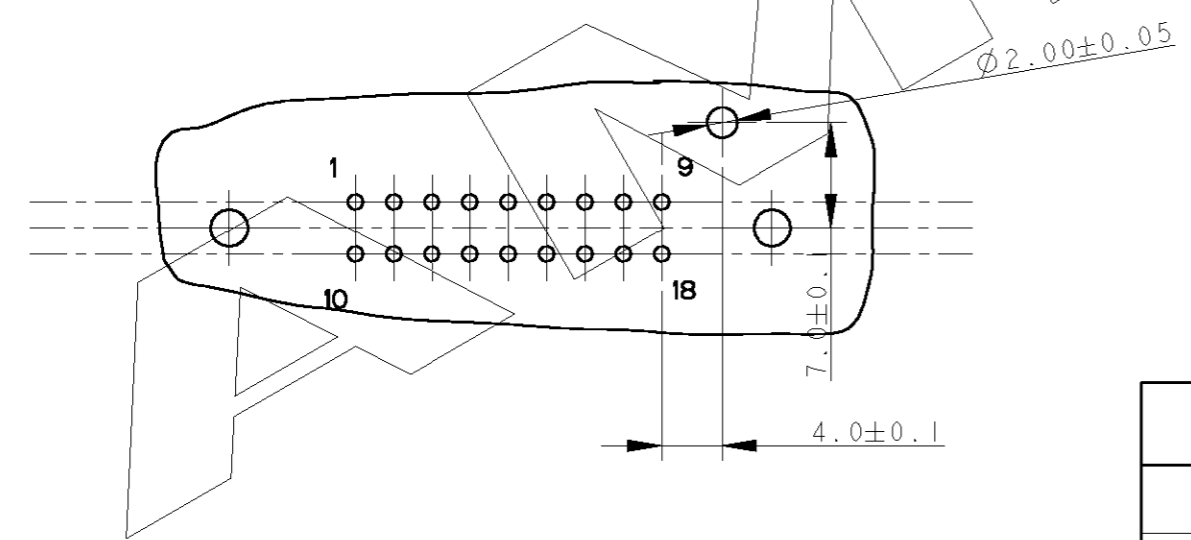
THIS DRAWING IS A CONTROLLED DOCUMENT FOR AMP INCORPORATED. IT IS SUBJECT TO CHANGE AND THE CONTROLLING ENGINEERING ORGANIZATION SHOULD BE CONTACTED FOR THE LATEST REVISION. QUESTO DISEGNO È UN DOCUMENTO DI PROPRIETÀ E RESPONSABILITÀ DELL'AMP INCORPORATED. È SOGGETTO A VARIAZIONI. PER OTTENERE L'ULTIMA REVISIONE DEL DISEGNO CONTATTARE L'UFFICIO TECNICO RESPONSABILE.		DWN /DIS. 30 SEPT. 97 O. CANUTO	<b>AMP</b> AMP DE FRANCE 95301 PONTOISE
DIMENSIONS: DIMENSIONI: mm		CHK /CONT. 30 SEPT. 97 A. BRUNI	
TOLERANCES UNLESS OTHERWISE SPECIFIED: TOLLERANZE: SE NON DIVERSAMENTE SPECIFICATO		APVD /APP. 17 JUNE 98 JJ REV II	NAME NOME 18 POS. MOS HEADER
0 PLC /DEC ±0.3 1 PLC /DEC ±0.3 2 PLC /DEC ±0.3 3 PLC /DEC ± 4 PLC /DEC ± ANGLES /ANGOLI ±2		PRODUCT SPEC SPEC DI PRODOTTO -	SIZE CAGE CODE DRAWING NO NUMERO RESTRICTED TO
MATERIAL MATERIALE -		APPLICATION SPEC SPEC DI APPLICAZIONE -	A3 00779 C=953466
FINISH FINITURA -		WEIGHT PESO -	CUSTOMER DRAWING DISEGNO PER CLIENTE SOLO PER RIFERIMENTO
		SCALE SCALA 2:1	SHEET FOGLIO 2 OF DI 3 REV E

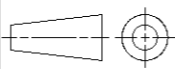
THIS DRAWING IS UNPUBLISHED. RELEASED FOR PUBLICATION .19 .  
 © COPYRIGHT 19 BY AMP INCORPORATED. ALL RIGHTS RESERVED.

LOC	DIST	REVISIONS			
P	LTR	DESCRIPTION	DATE	DWN	APVD
	-	SEE SHEET 1	-	-	-

P/N	MATERIALE (MATERIAL)	RAPPRESENTAZIONE GRAFICA DELLE POLARIZZAZIONI (CODING KEY DETAIL)	RAPPRESENTAZIONE 3D (3D VIEW)	CONNESSIONE (CONNECTION)	CONTROPARTE CORAZZA (COUNTERPART SHELL)
953466-2	PBT+C V COL. GRIGO (PBT+G F. COL GREY) TAB IN BRONZO STAGNATO TAB: BRONZE TIN PLATED			PLACETTA COMANDI (AUXILIARY CONTROL BOX)	284136-2 (IDC/CRIMP) OR 284160-2 (ALL CRIMP)

**SCHEMA FORATURA (PCB LAYOUT)**  
 LATO MONTAGGIO HEADER (HEADER MOUNTING SIDE)  
 DIMENSIONS FOR CODING



<small>THIS DRAWING IS A CONTROLLED DOCUMENT FOR AMP INCORPORATED. IT IS SUBJECT TO CHANGE AND THE CONTROLLING ENGINEERING ORGANIZATION SHOULD BE CONTACTED FOR THE LATEST REVISION.</small>		DWN E MINY 29 MAY 00 CHK J. LAQUERBE 29 MAY 00 APVD JJ REV II 25 MAY 00	<b>AMP</b> AMP DE FRANCE 95301 PONTOISE
DIMENSIONS: mm 	TOLERANCES UNLESS OTHERWISE SPECIFIED: 0 PLC ±0.3 1 PLC ±0.3 2 PLC ±0.3 3 PLC ± 4 PLC ± ANGLES ±2	PRODUCT SPEC - APPLICATION SPEC - WEIGHT -	NAME 18 POS. MOS HEADER SIZE A3 CAGE CODE 00779 DRAWING NO C=953466 RESTRICTED TO -
MATERIAL -	FINISH -	CUSTOMER DRAWING	SCALE 2:1 SHEET 3 OF 3 REV E