

# Product data sheet

## Characteristics

# ABL8BPK24A07

battery - 24 V DC - 40 A - 7 AH - for battery control module



### Main

Range of Product	Phaseo
Product or Component Type	Battery module
Battery Capacity	7 Ah

### Complementary

Input voltage limits	21...29 V
Charging time	72 h
Load current	0.7 A
Self-discharge rate	9 %, 3 months 3 %, 1 month 15 %, 6 months
Output coupling	Parallel
Operating altitude	6561.68 ft (2000 m)
Marking	CE
Net Weight	14.33 lb(US) (6.5 kg)

### Environment

Product Certifications	CTP UL
Ambient air temperature for operation	32...104 °F (0...40 °C)
Ambient Air Temperature for Storage	-4...122 °F (-20...50 °C)

### Ordering and shipping details

Category	22525 - ABL8 AND ABL7 POWER SUPPLIE
Discount Schedule	CP12
GTIN	3389118312210
Nbr. of units in pkg.	1
Package weight(Lbs)	14.33 lb(US) (6.5 kg)
Returnability	Yes
Country of origin	FR

### Packing Units

Unit Type of Package 1	PCE
Package 1 Height	7.00 in (17.78 cm)
Package 1 width	6.50 in (16.51 cm)
Package 1 Length	10.25 in (26.035 cm)
Unit Type of Package 2	CAR
Number of Units in Package 2	1
Package 2 Weight	14.00 lb(US) (6.35 kg)
Package 2 Height	7.68 in (19.5 cm)

Package 2 width	7.87 in (20 cm)
Package 2 Length	10.43 in (26.5 cm)
Unit Type of Package 3	S06
Number of Units in Package 3	12
Package 3 Weight	199.30 lb(US) (90.4 kg)
Package 3 Height	28.94 in (73.5 cm)
Package 3 width	23.62 in (60 cm)
Package 3 Length	31.50 in (80 cm)

### Offer Sustainability

California proposition 65	WARNING: This product can expose you to chemicals including: Lead and lead compounds, which is known to the State of California to cause cancer and birth defects or other reproductive harm. For more information go to <a href="http://www.P65Warnings.ca.gov">www.P65Warnings.ca.gov</a>
REACH Regulation	<a href="#">REACH Declaration</a>
REACH free of SVHC	Yes
EU RoHS Directive	Not applicable, out of EU RoHS legal scope
China RoHS Regulation	<a href="#">China RoHS Declaration</a>
Environmental Disclosure	<a href="#">Product Environmental Profile</a>
Circularity Profile	<a href="#">End Of Life Information</a>
PVC free	Yes

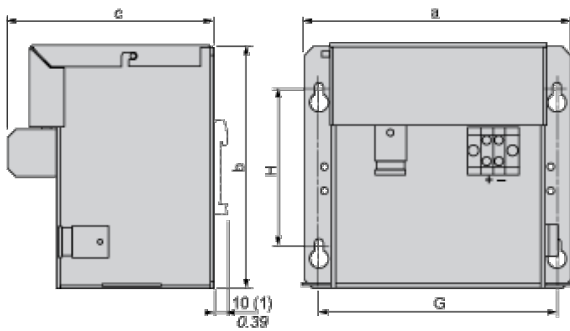
### Contractual warranty

Warranty	18 months
----------	-----------

24 Vdc Battery Module

Dimensions

mm  
inch



ABL	a	b	c	G	H
8BPK24A03	184/7.24	138,5/5.45	131	156/6.14	83/3.27
8BPK24A07	170/6.69	155,5/6.12	131	152/5.98	100/3.94
8BPK24A12	236/9.29	155,5/6.12	131	218/3.94	100/3.94

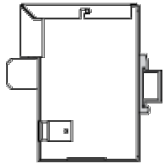
(1) ABL8BPK24A03 (with kit ABL1A02)

---

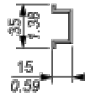
24 Vdc Battery Module

---

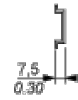
Mounting



AM1 DE200  
IEC/EN 60715



AM1 DF200



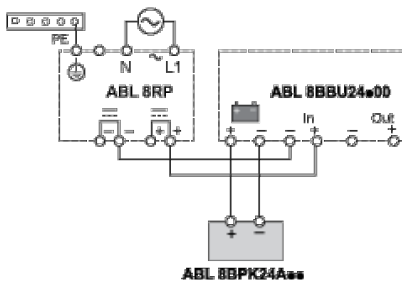
Wiring Requirements

Cable Types and Wire Sizes

	<b>ABL 8BBU24200</b> <b>ABL 8BBU24400</b>
<b>ABL 8BPK24A00</b> #1 - mm <sup>2</sup> /AWG	6 / 10 10 / 16
	Nm 1,2 Nm max lb-in 15

24 Vdc Battery Module Wiring

Wiring Diagram



Paralleling 2 x ABL8PK24A00

Wiring Diagram

