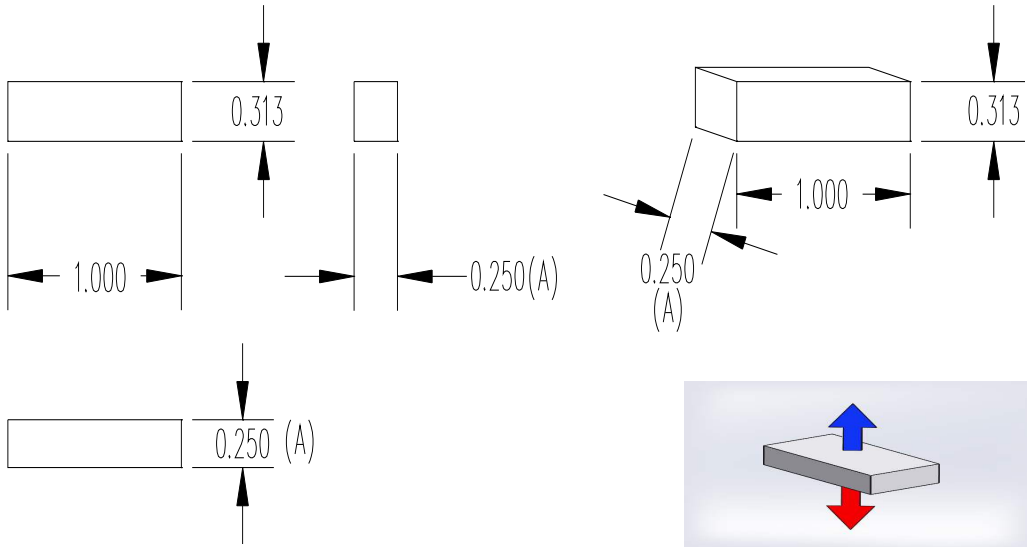


| REVISIONS | | | |
|-----------|-----------------|------|----------|
| LTR | DESCRIPTION | DATE | APPROVED |
| — | INITIAL RELEASE | | H D |
| | | | |
| | | | |



| | |
|--|---------------|
| UNLESS OTHERWISE SPECIFIED DIMENSIONS ARE IN INCHES | |
| TOLERANCES: | |
| FRACTIONS: | $\pm 1/64$ |
| DECIMALS: | ± 0.015 |
| ANGLES: | $\pm 1^\circ$ |
| MATERIAL: | NdFeB |
| FINISH: | NiCuNi |

| | | | |
|---|-----------|-------------|---|
| RADIAL MAGNETS INC. | | | |
| 108B NW 20th St. BOCA RATON, FL 33431 (561)392-2103 | | | |
| SHAPE | STRENGTH | PLATING | SIZE AND DIRECTION OF MAGNETIZATION (A) |
| BLOCK | N35 | NiCuNi | 1" x 5/16" x 1/4" |
| SIZE | PART # | DRAWING # | REVISION |
| A | 8029 | RM8029 | - |
| SCALE 1 : 1 | DRAWN: CG | CHECKED: HD | APPROVED: HD |
| | | | PAGE 1 OF 1 |