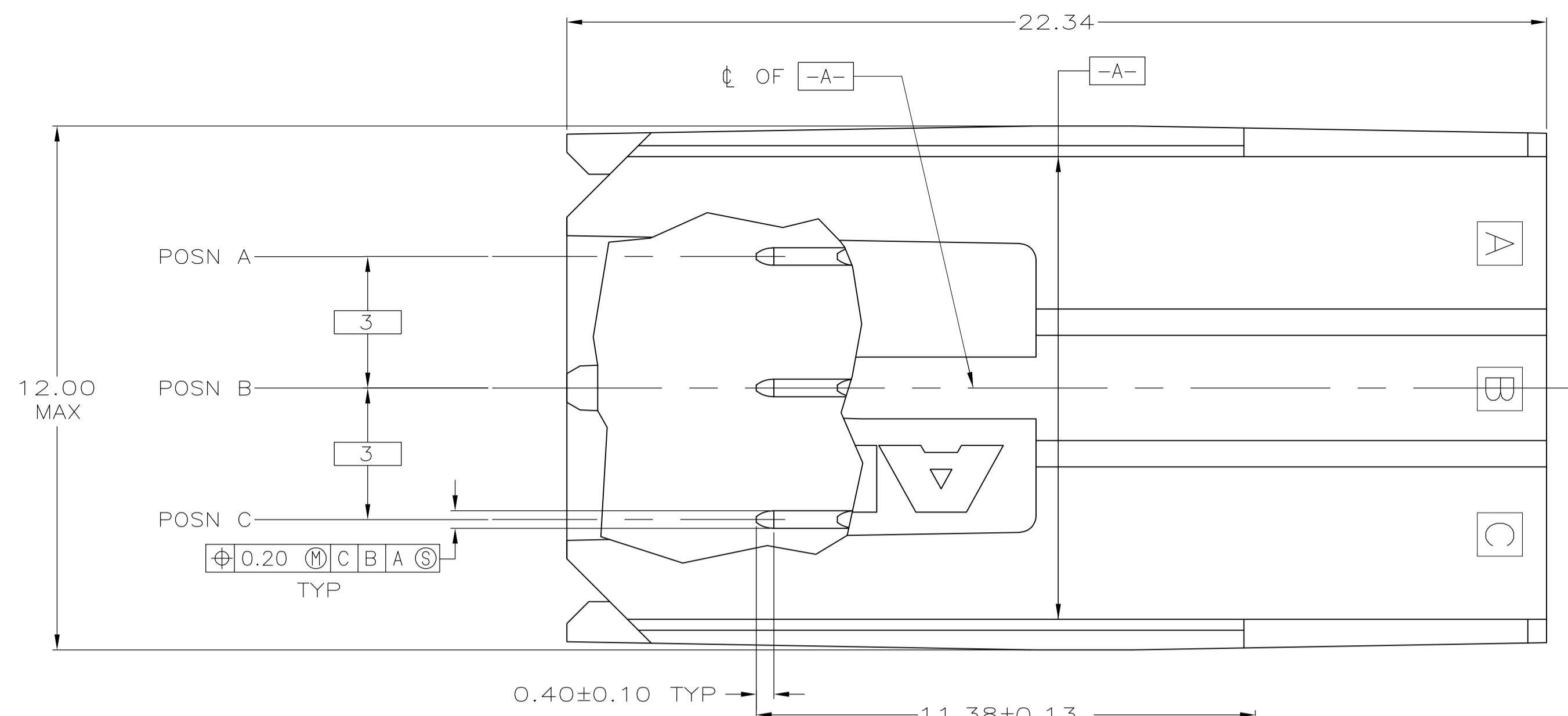
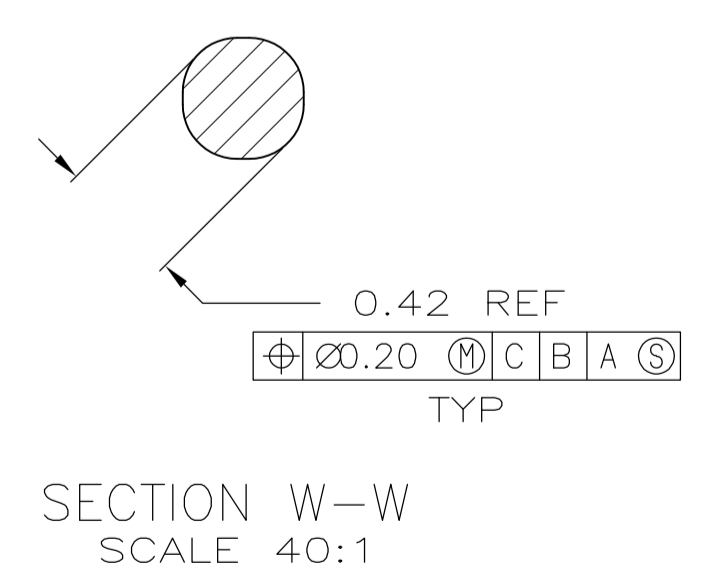
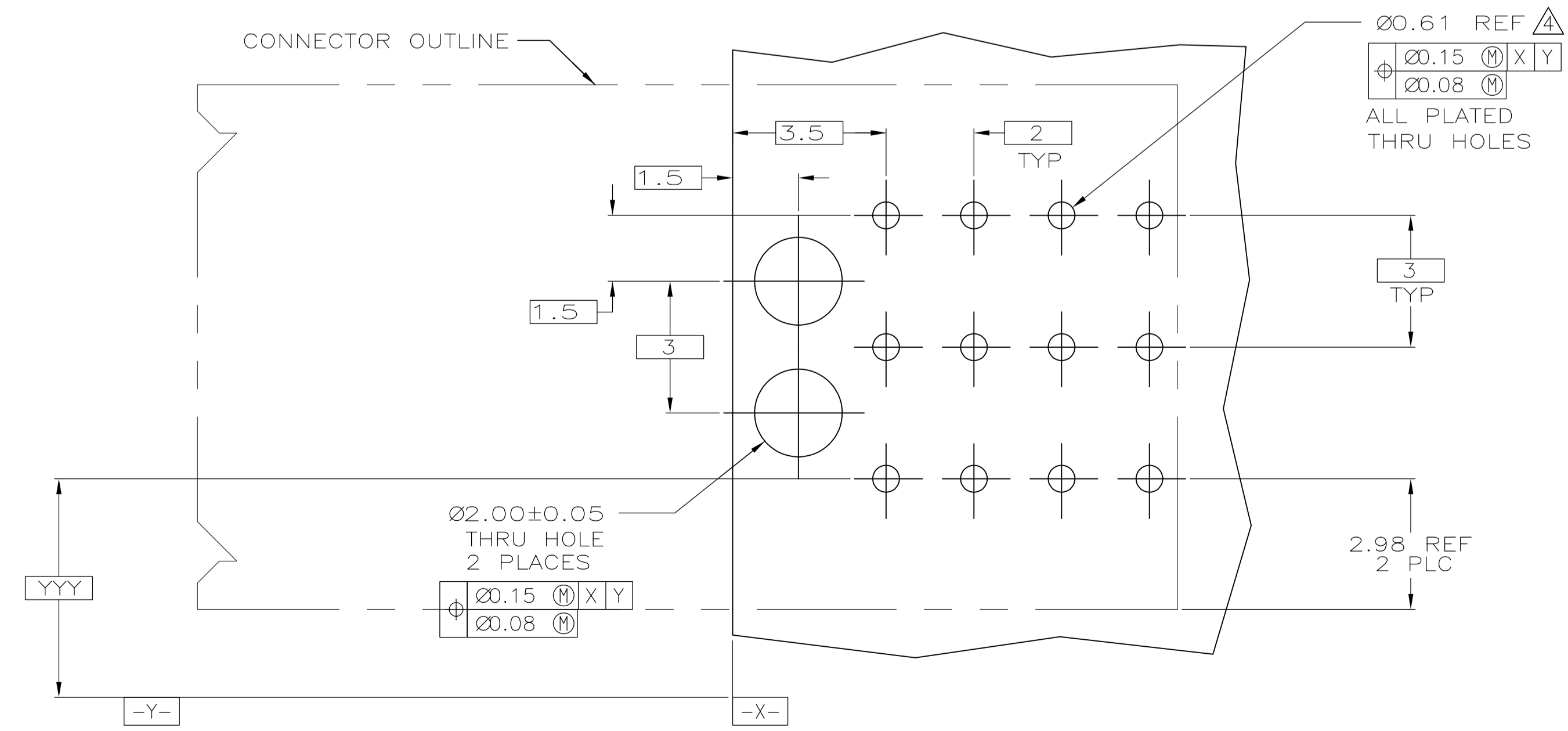
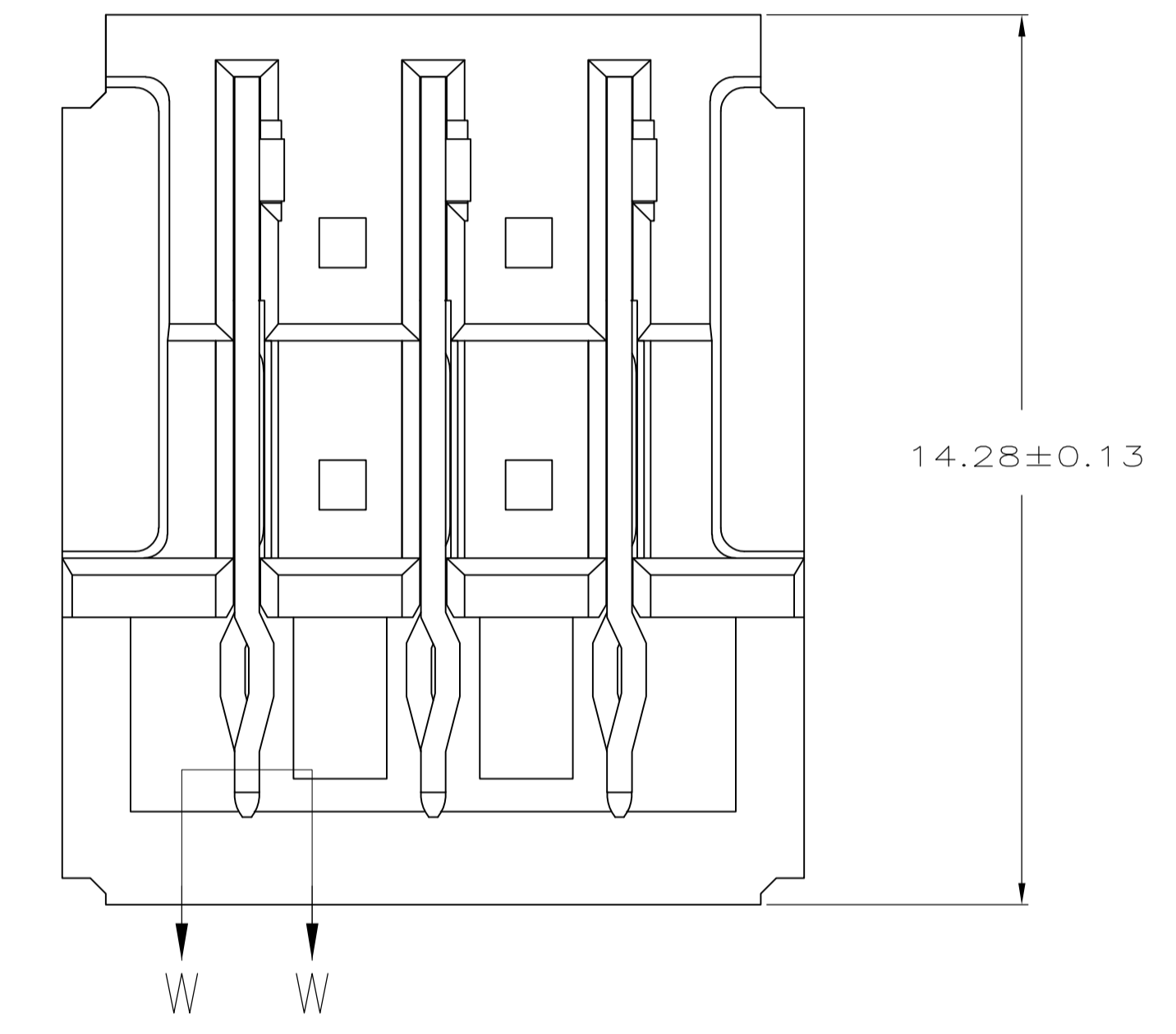
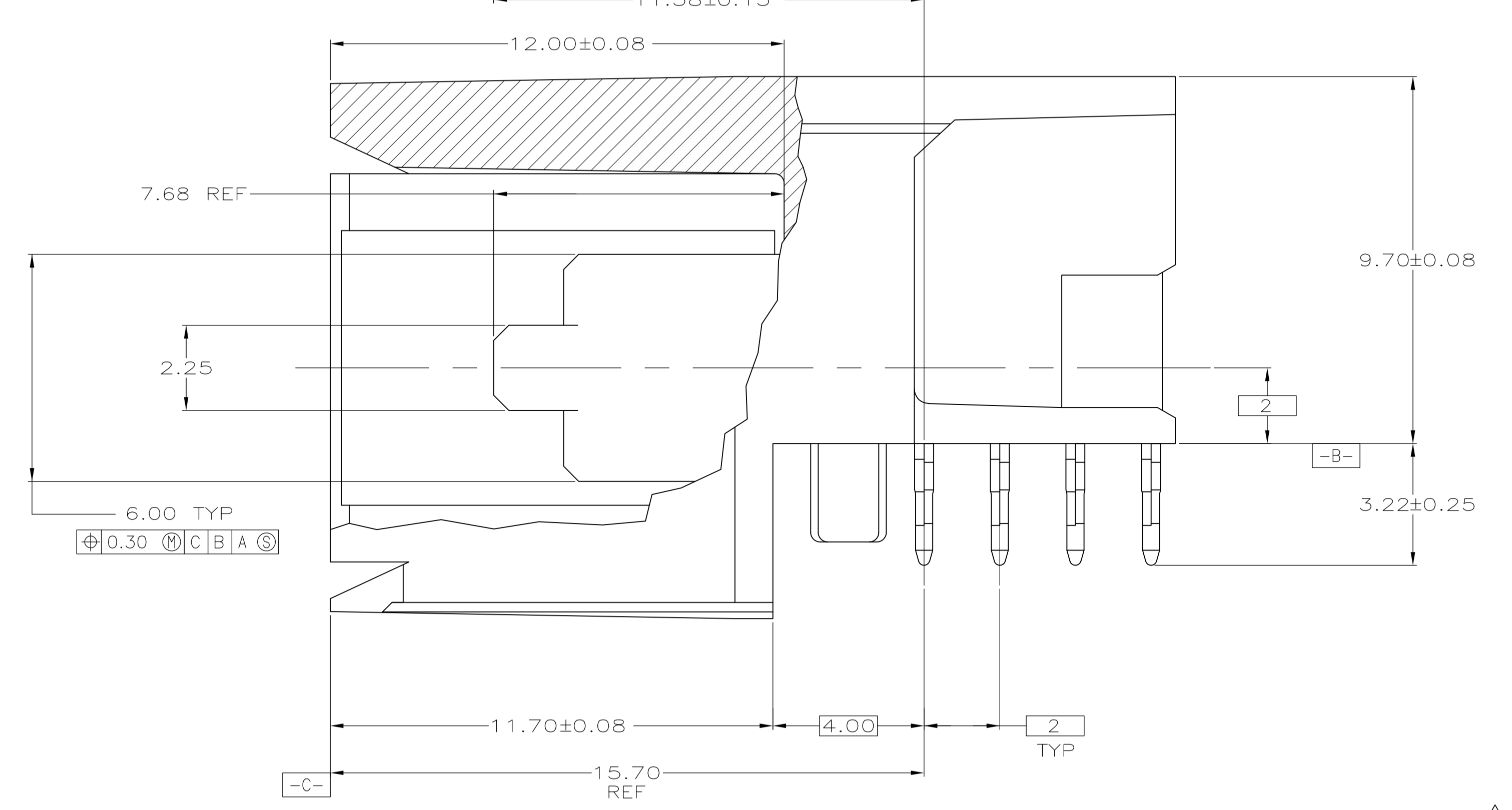
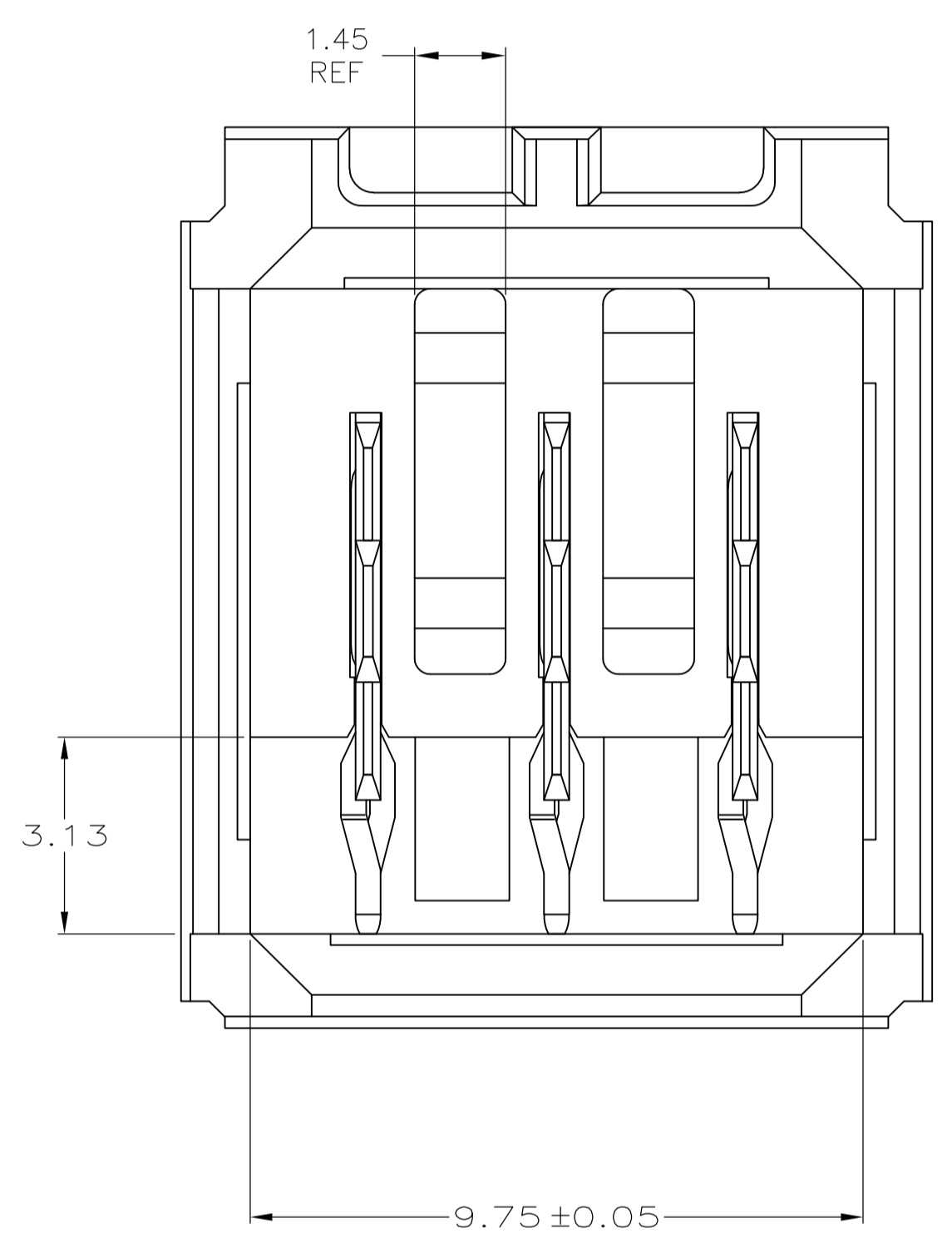


LOC		DIST		REVISIONS			
AD	00	REV	DATE	BY	APP'D	DATE	BY
E		REVISED PER ECO-11-000045	04JAN11	DH	DY		



- 1 MATERIAL: HOUSING: POLYESTER. COLOR: GREY. UL 94V-O. CONTACT: PHOSPHOR BRONZE.
- 2 FINISH: CONTACT MATING AREA: 1.27 μ m MIN GOLD OR 0.08 μ m MIN GOLD OVER 0.76 μ m MIN PALLADIUM-NICKEL. ACTION PIN AREA: 0.5 μ m MIN TIN LEAD PLATE, ALL OVER 1.27 μ m MIN NICKEL UNDERPLATE.
- 3 FINISH: CONTACT LUBRICATION WITH BELLCORE APPROVED LUBRICANT. TECHNICAL REFERENCE: TR-NWT-001217 ISSUE 1, SEPT 1992.
- 4 REFERENCE APPLICATION SPEC 114-1103 FOR RECOMMENDED PLATED THRU HOLE DIAMETER AND PLATING THICKNESSES.
- 5 CURRENT RATING 10A/CONTACT PER PRODUCT SPEC 108-1651.



223977-1
PART NUMBER

RECOMMENDED PCB HOLE LAYOUT

THIS DRAWING IS A CONTROLLED DOCUMENT.		DIN A-ANDERSON/UTA 08/SEP/98	Tyco Electronics Corporation Harrisburg, PA 17105-3608
DIMENSIONS: mm		CHK R-PATTERSON 08/SEP/98	
TOLERANCES UNLESS OTHERWISE SPECIFIED:		APP'D R-PATTERSON 08/SEP/98	NAME
0 PLC	\pm -	PRODUCT SPEC	ASSEMBLY, RIGHT ANGLE HEADER, W/ RETENTION PEGS, UNIVERSAL POWER MODULE
1 PLC	\pm -	APPLICATION SPEC	SIZE CASE CODE DRAWING NO
2 PLC	\pm 0.13	WEIGHT	A1 00779 C=223977
3 PLC	\pm -	CUSTOMER DRAWING	SCALE 10:1 SHEET 1 OF 1 REV E
4 PLC	\pm -		
ANGLES	\pm -		