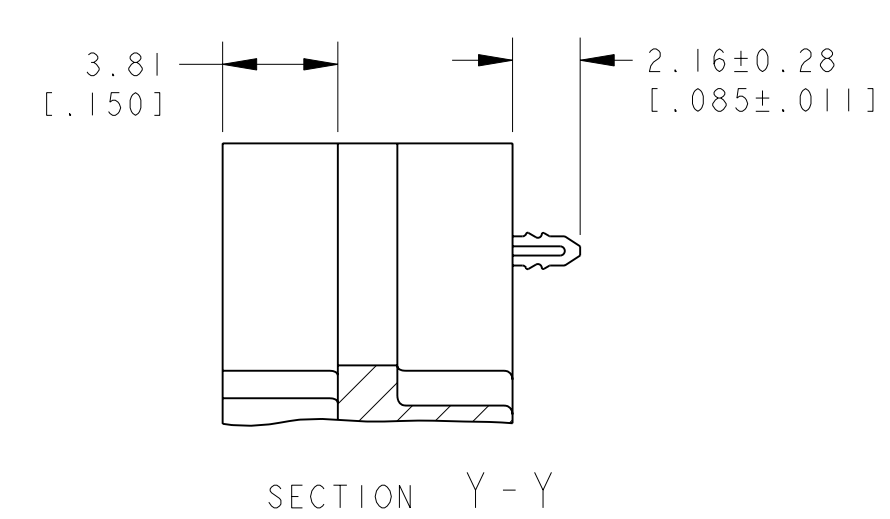
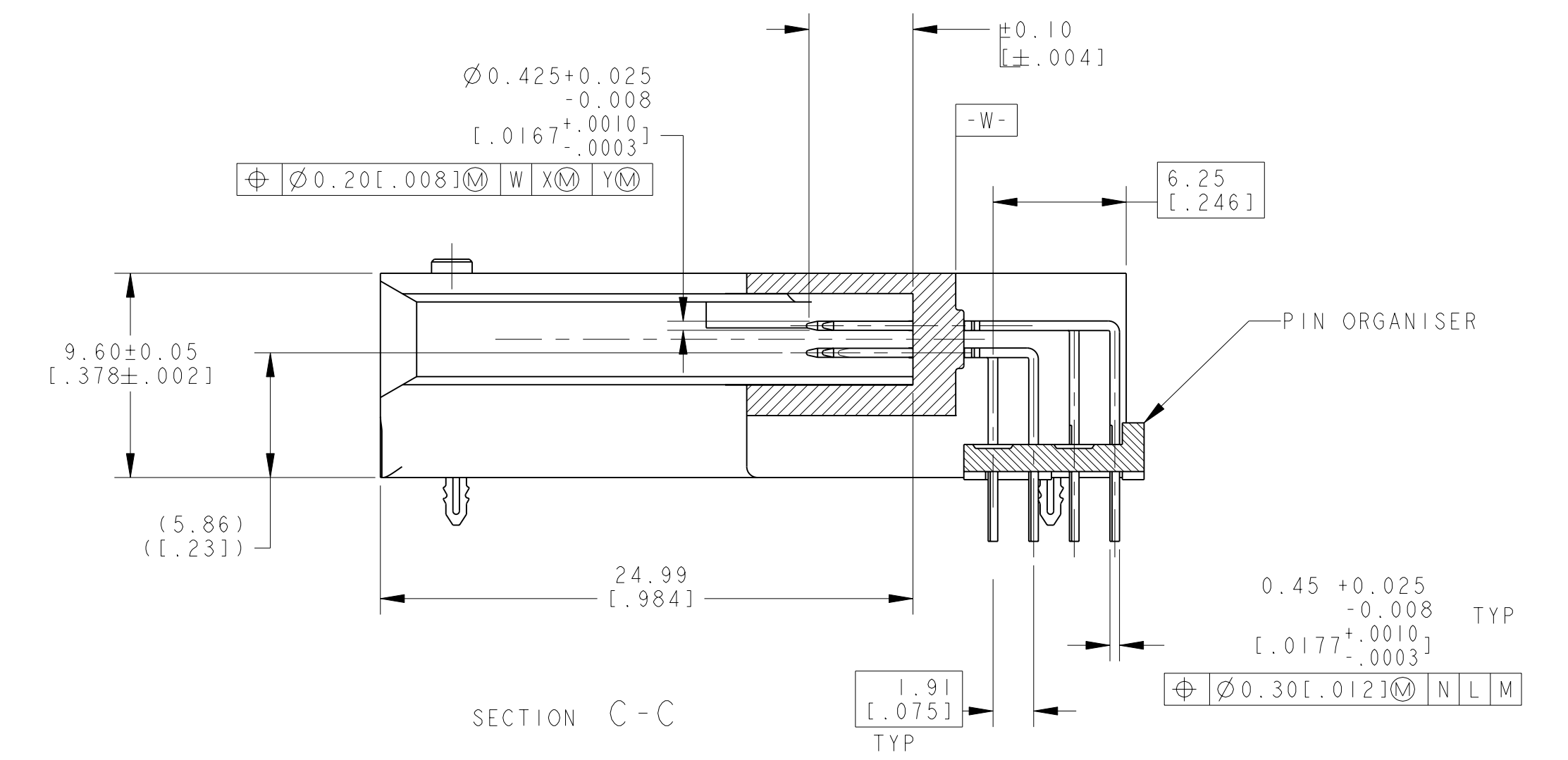
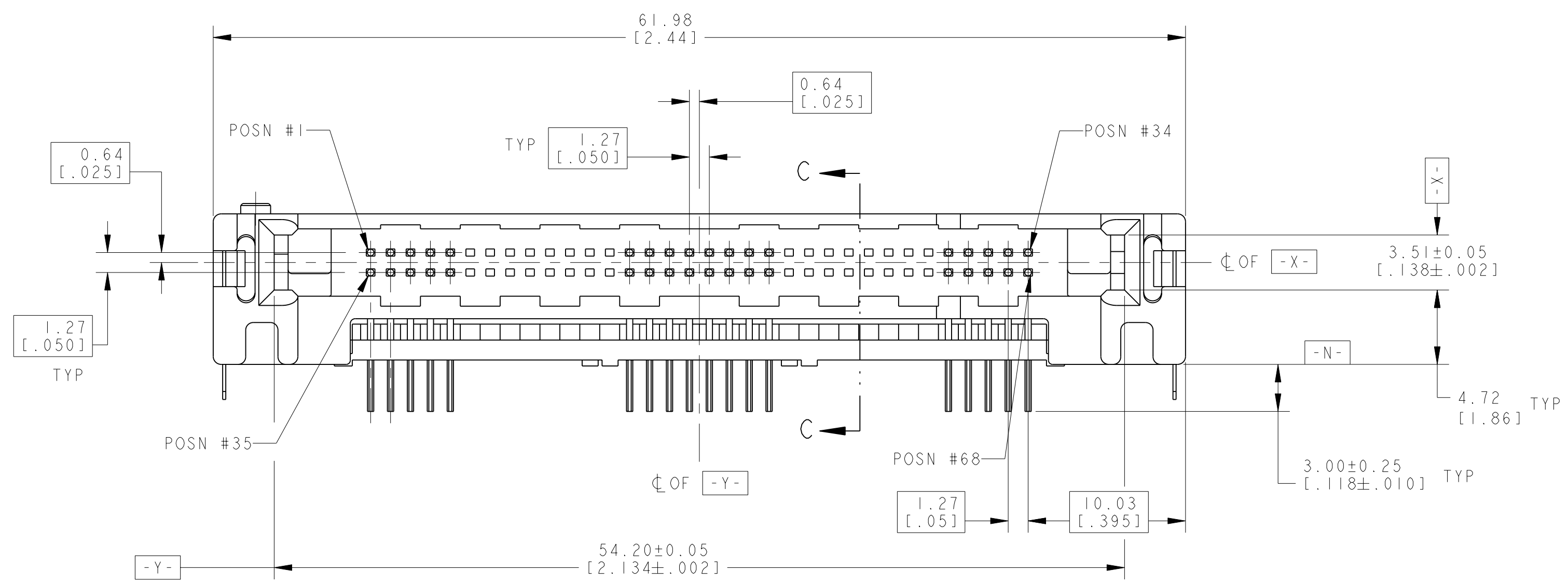
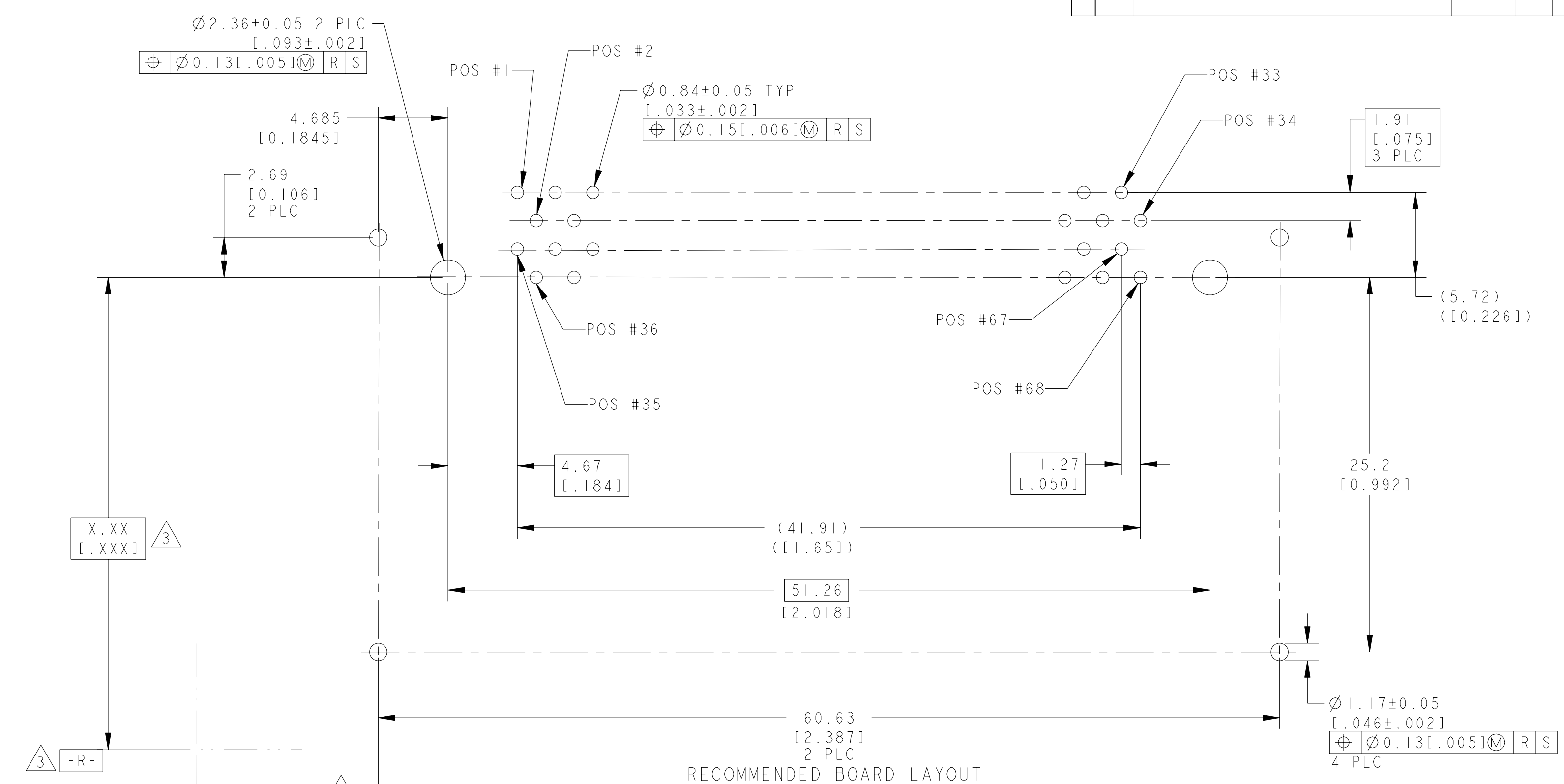
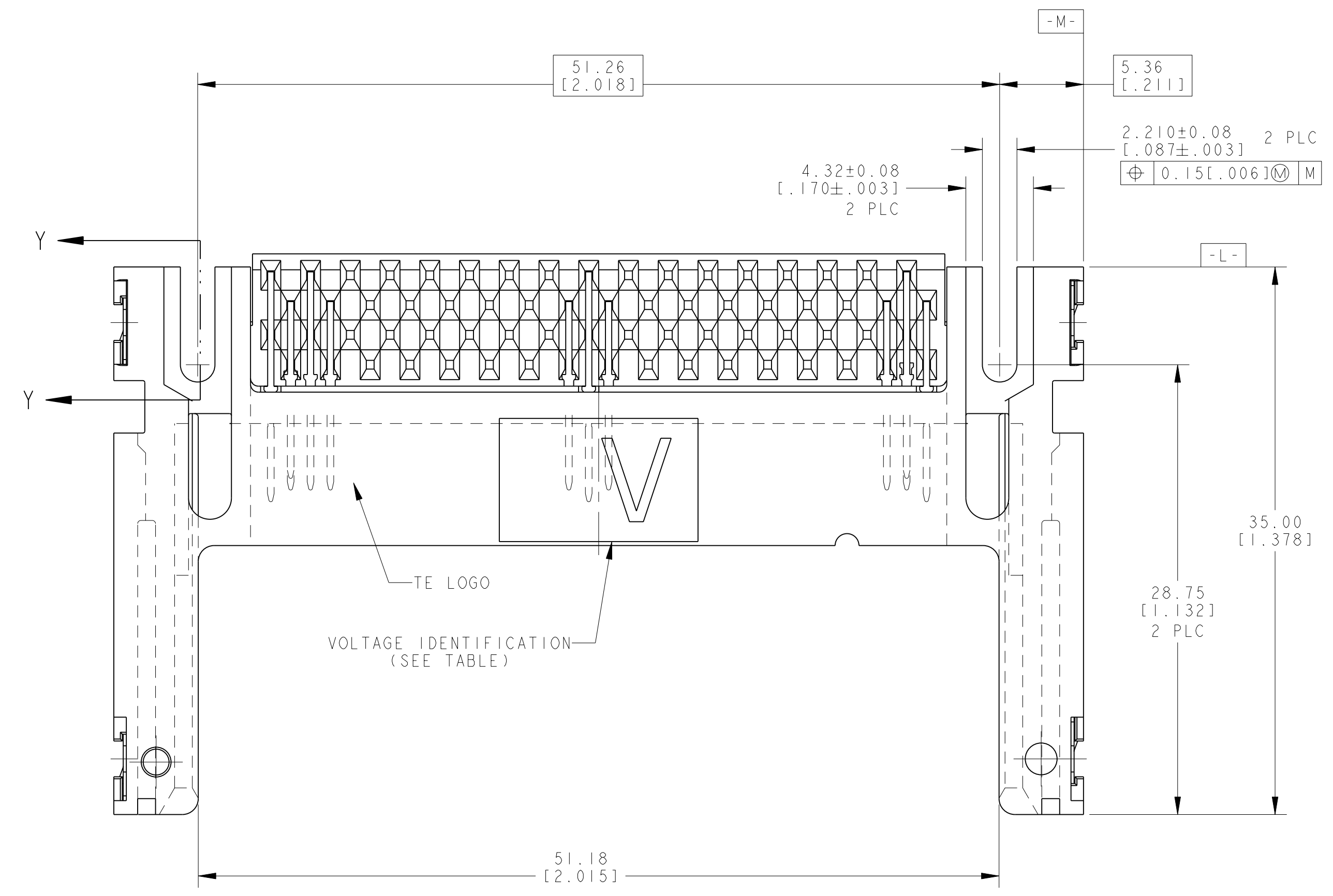


LOC	DIST	REV	DATE	DWN	APVD
-	-	D	05JAN2012	GG	RRP



- NOTE
- △ PLATING: 0.03µ [0.007874µ] GOLD IN CONTACT AREA.  
2µ [0.07874µ] TIN ON SOLDERTAILS  
1.3µ [0.05118µ] - 4µ [0.1575µ] NICKEL ALL OVER
  - 2. CUSTOMER TO PROVIDE CARD GUIDANCE SYSTEM.
  - △ DATUMS AND BASIC DIMENSIONS ESTABLISHED BY CUSTOMER.
  - 4. CONNECTOR REQUIRES USE OF 2 - SIZE 2M SCREWS FOR FASTENING TO PRINTED CIRCUIT BOARD.
  - △ MATERIAL: HOUSING & ORGANISER : LCP, COLOR - BLACK  
PIN : BRASS  
HOLD-DOWN : PHOSPHOR BRONZE.
  - △ HOLD-DOWN : TIN PLATED
  - △ PLATING: 0.76µ [0.02992µ] GOLD IN CONTACT AREA.  
2µ [0.07874µ] TIN ON SOLDERTAILS  
1.3µ [0.05118µ] - 4µ [0.1575µ] NICKEL ALL OVER
  - △ PLATING: 0.08µ [0.00315µ] GOLD OVER 0.69µm PALLADIUM-NICKEL IN CONTACT AREA.  
2µ [0.07874µ] TIN ON SOLDERTAILS  
1.3µ [0.05118µ] - 4µ [0.1575µ] NICKEL ALL OVER

Symbol	LV	Pin Locations	Description	Length	Part Number
△8	LV	1, 17, 34, 35, 51, 68	ALL OTHER PINS	36.67	1888562-6
△7	LV	1, 17, 34, 35, 51, 68	ALL OTHER PINS	36.67	1888562-5
△8	5V	1, 17, 34, 35, 51, 68	ALL OTHER PINS	36.67	1888562-4
△7	5V	1, 17, 34, 35, 51, 68	ALL OTHER PINS	36.67	1888562-3
△1	LV	1, 17, 34, 35, 51, 68	ALL OTHER PINS	36.67	1888562-2
△1	5V	1, 17, 34, 35, 51, 68	ALL OTHER PINS	36.67	1888562-1
PLATING		VOLTAGE IDENTIFICATION	0.197 [5.0]	0.167 [4.25]	0.138 [3.5]
"L" (PIN LENGTH) AND LOCATION					

THIS DRAWING IS A CONTROLLED DOCUMENT. DWG: 5 Dec 2006, CHK: 5 Dec 2006, CDR: Premjith

APVD: Don Gorenc

NAME: PIN HEADER ASSY, 68 POS RAISED HT, TOP BRD MTG, THRU HOLE, WITH HOLD-DOWN, MEMORY CARD

PRODUCT SPEC: -

APPLICATION SPEC: -

SIZE: A100779, CAGE CODE: -

WEIGHT: -

RESTRICTED TO: -

CUSTOMER DRAWING

SCALE: 4:1, SHEET: 1 OF 1, REV: D