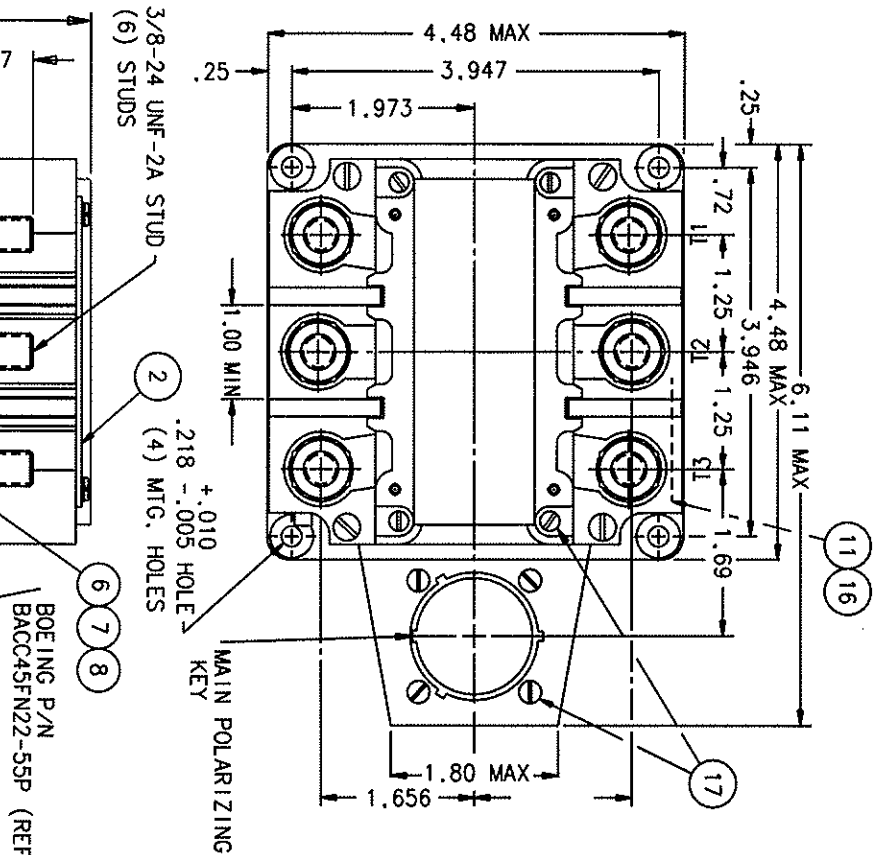


FAA/PMA

REV	DESCRIPTION	DATE	APPROVED
P	39520 BOEING* ADDED TO VIB SPEC & CONNECTOR 4.48 MAX WAS 4.45	99/05/11	RS
R	41634 .43 & .92 REMOVED	00/02/18	RS

B-484  
RELEASED  
DATE  
APPROVED

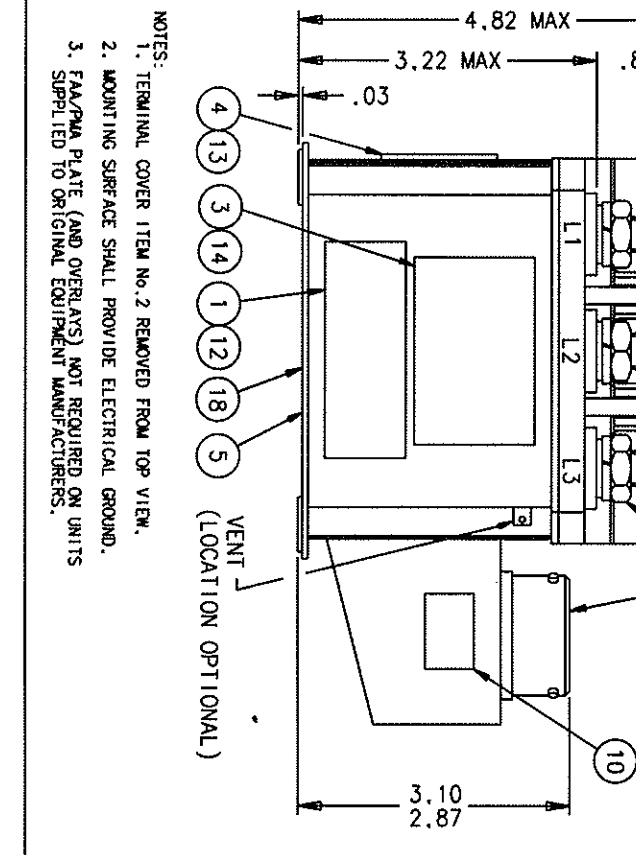
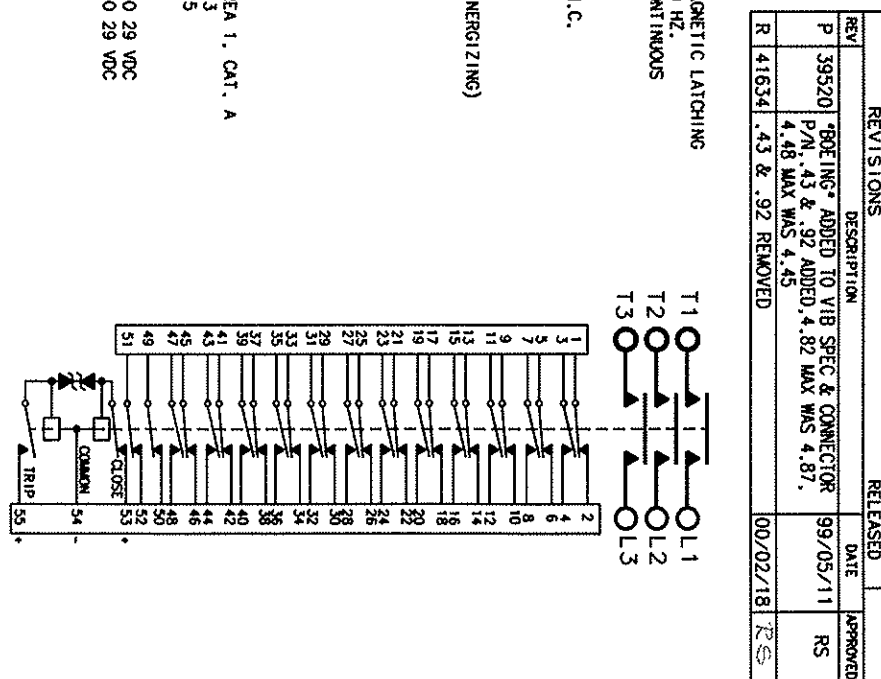


**CONSTRUCTION**  
MAIN CONTACTS CONFIGURATION  
VOLTAGE 115/200 VOLTS FREQ. 400 HZ.  
CURRENT RES. 500 AMP 115/200 VAC CONTINUOUS  
INTERRUPT 500 AMP 115/200 VAC  
AUXILIARY CONTACTS CONFIGURATION  
VOLTAGE 12 SPST N.O., 14 SPST N.C.  
CURRENT 115 VAC 400 HZ 28 VDC  
7.5 AMP

**COIL DATA**  
DUTY CYCLE CONTINUOUS (SELF - DE-ENERGIZING)  
OPERATING VOLTAGE 15 VOLTS  
CLOSE MIN. 29 VOLTS  
TRIP MAX. 15 VOLTS  
MAX. 29 VOLTS

**RESISTANCE CLOSING 3 OHMS TRIP 5 OHMS**

**ENVIRONMENTAL DATA**  
OPERATING TEMP. -54°C MIN. +71°C MAX.  
VIBRATION PER BOEING D6-13014, AREA 1, CAT. A  
ACCELERATION MIL-E-5272 METHOD 4.16.3  
SHOCK MIL-E-5272 METHOD 4.15.5  
ALTITUDE 45,000 FT.  
OPERATING TIME 15 MSEC MAX AT 22 VDC TO 29 VDC  
CLOSE TRIP 20 MSEC MAX AT 15 VDC TO 29 VDC  
LIFE ELECTRICAL 50,000 CYCLES MIN.  
LIFE MECHANICAL 100,000 CYCLES MIN.  
WEIGHT MAX. 4.5 LBS.



**ENVIRONMENTAL DATA**  
OPERATING TEMP. -54°C MIN. +71°C MAX.  
VIBRATION PER BOEING D6-13014, AREA 1, CAT. A  
ACCELERATION MIL-E-5272 METHOD 4.16.3  
SHOCK MIL-E-5272 METHOD 4.15.5  
ALTITUDE 45,000 FT.  
OPERATING TIME 15 MSEC MAX AT 22 VDC TO 29 VDC  
CLOSE TRIP 20 MSEC MAX AT 15 VDC TO 29 VDC  
LIFE ELECTRICAL 50,000 CYCLES MIN.  
LIFE MECHANICAL 100,000 CYCLES MIN.  
WEIGHT MAX. 4.5 LBS.

REV	DESCRIPTION	DATE	APPROVED
18	AR 54100-001 SILASTIC-BLACK		
17	AR 54102-001 GLYDOL		
16	1 39529-047 OVERLAY		
14	1 39529-009 OVERLAY		
13	1 39529-008 OVERLAY		
12	1 39529-002 OVERLAY		
11	1 58400-033 PLATE-FAA/PMA		
10	1 25685-001 WARNING PLATE		
8	6 51807-230 WASHER - .375 X .687 X .094		
7	6 51704-010 WASHER - .390 X .625 X .037 FLAT		
6	6 50407-370 NUT - 1/8-24 X 5/8 X 3/28 HEX		
3	36805-020 CONTACTOR ASSEMBLY - PRIMARY		
4	1 36755-001 PLATE-NAME		
3	1 41577-001 TERMINAL COVER		
2	2 36456-010 PLATE-CAUTION		
1	1 36749-001		

UNLESS OTHERWISE SPECIFIED DIMENSIONS ARE IN INCHES  
2 PL. DEC. 3 PL. DEC. ANGLES  
± .06 ± .010 ± 1°

REF: BOEING 60B00010-30  
HARTMAN ELECTRICAL MANUFACTURING MASSFIELD, OHIO

CONTACTOR - 3PST MAGN. LATCH  
500 AMP 115/200V 400HZ

SIZE CODE IDENT DWG NO. B-484  
C 74063 B-484

SCALE NONE SHEET

- NOTES:
1. TERMINAL COVER ITEM NO. 2 REMOVED FROM TOP VIEW.
  2. MOUNTING SURFACE SHALL PROVIDE ELECTRICAL GROUND.
  3. FAA/PMA PLATE (AND OVERLAYS) NOT REQUIRED ON UNITS SUPPLIED TO ORIGINAL EQUIPMENT MANUFACTURERS.